



SP7-20, SP7-21 and SP7-22 Smart Positioner

Description

The SP7-2* is an electronically configurable positioner with communication capabilities designed for mounting on pneumatic linear or rotary actuators. It features a small and compact design, a modular construction, and an excellent cost-performance ratio. Fully automatic determination of the control parameters and adaptation to the positioner allow for considerable time savings as well as optimum control behaviour.

The positioner has a local communication interface (LCI) as standard in the SP7-20. Additionally, a 'HART® communication' option for communication via the 20 mA signal is available. Both communications are based on the HART® Protocol. Alternatively, HART®5 or HART®7 are available.

Other available options are the SP7-21 with a PROFIBUS PA module or the SP7-22 with FOUNDATION Fieldbus module.

In addition to its input for the analog position set point, the positioner is equipped with a digital input which can be used to activate control system functions in the device. A digital output allows you to output collective messages (alarms/faults).



Throughout the document SP7-2* is written where the information is relevant to all versions; the SP7-20, SP7-21 and SP7-22. Where the information is specific it will be referenced as the version appropriate.

Air supply

The SP7-2* positioner must be provided with a high quality air supply to ISO 8573-1:2010 Class 3:3:3

Approvals

	ATEX rating	II 2 G Ex db IIC T4/T5/T6 Gb
	IECEx rating	Ex db IIC T4/T5/T6 Gb
	CCC (China)	Ex db IIC T4/T5/T6 Gb
	NEPSI rating	Ex db IIC T4/T5/T6 Gb

Applications

The SP7-2* can be used with any actuator that conforms to NAMUR, this includes all of the following Spirax Sarco pneumatic actuators:

BVA300 rotary

PN1600 series

PNS3000 and PNS4000 series

PN9000 series

TN2000 series

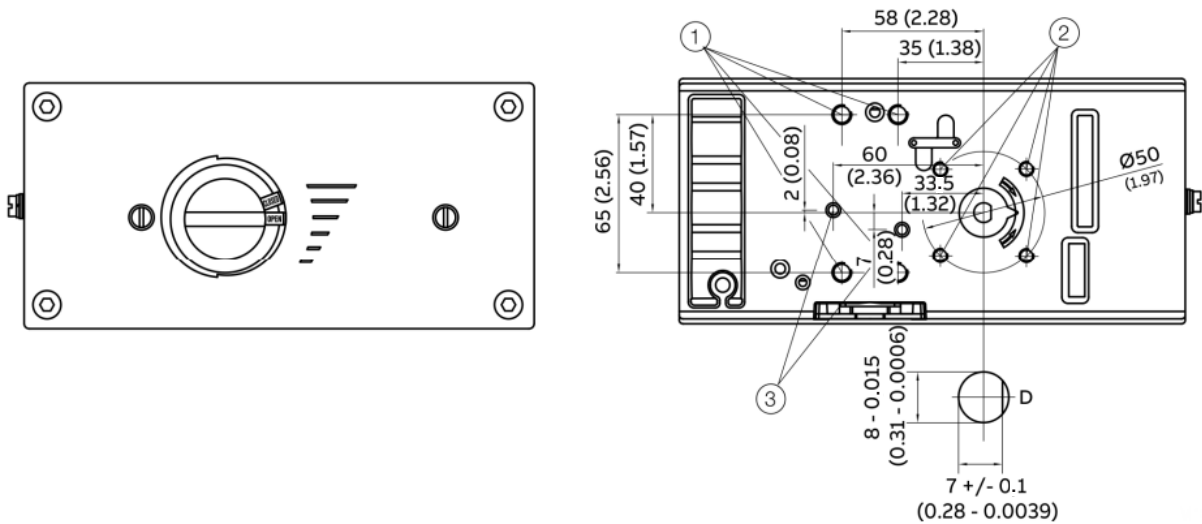
Materials

Part	Material	Finish
Case and cover	Die cast aluminium	Case - Anti-corrosive paint, Black
		Cover - Anti-corrosive paint to RAL9016
Mounting kits	Stainless steel	-
Follower pin cone	Nylon	-

Technical data

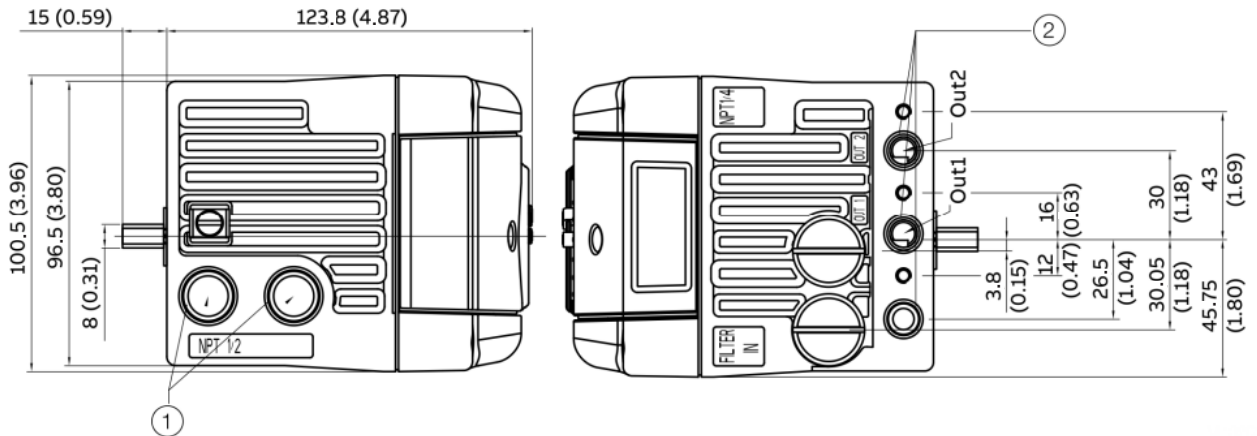
Input signal	4-20 mA (split range minimum amplitude 8 mA) or PROFIBUS PA or FOUNDATION Fieldbus	
Impedance	Max 485 +/- 15 Ω (for 4-20mA input signal only)	
Air supply	1.4 to 6.0 bar	
Air quality	ISO 8573-1:2010 Class 3:3:3	
Output pressure	0 to 100% supply pressure	
Actuator stroke	20 mm to 150 mm or 55 ° to 90 °	
Action	Single acting/fail vent/Double acting	
Operating temperature	-40 to 85 °C	
Air connections	¼" NPT female	
Deviation	≤ 0.5 %	
Tolerance band	0.3 to 10 %, adjustable	
Configurable dead zone	0.1 to 10 %, adjustable for 4-20 mA, HART and PROFIBUS PA, 0.1 to 5 % for FOUNDATION Fieldbus	
Resolution (AD-conversion)	> 16,000 steps	
Sampling frequency	20 ms (for 4-20mA input signal only).	
Ambient temperature effect	≤ 0.5 % per 10 K	
Reference temperature	20 °C	
Influence of vibration	≤ 1 % to 10 g and 80 Hz	
Degree of protection	IP65	
Weight	Linear mounting kit - 0.78 kg	
	Rotary mounting kit - 0.4 kg	
	Positioner (without mounting kits or gauge blocks) - 3.0 kg	
Basic positioner options	SP7-20	4-20 mA or 4-20 mA with HART
	SP7-21	PROFIBUS PA
	SP7-22	FOUNDATION Fieldbus

Dimensions (approximate) in mm (and inches)



- ① Threaded hole M8 (10 mm (0.39") deep)
- ② Threaded hole M6 (8 mm (0.31") deep)

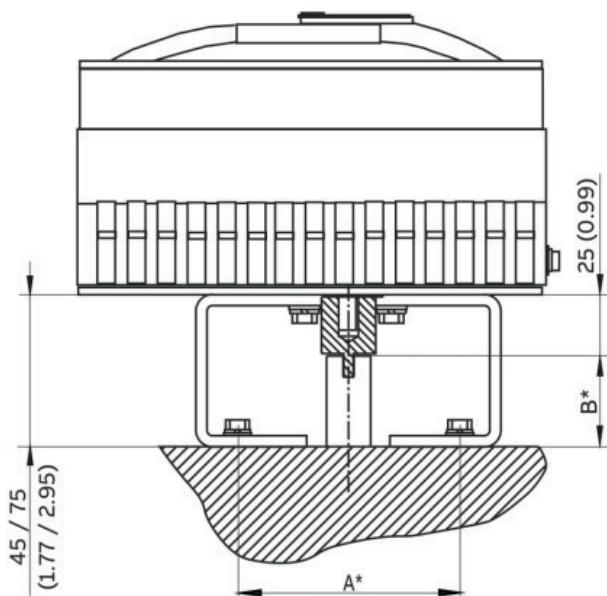
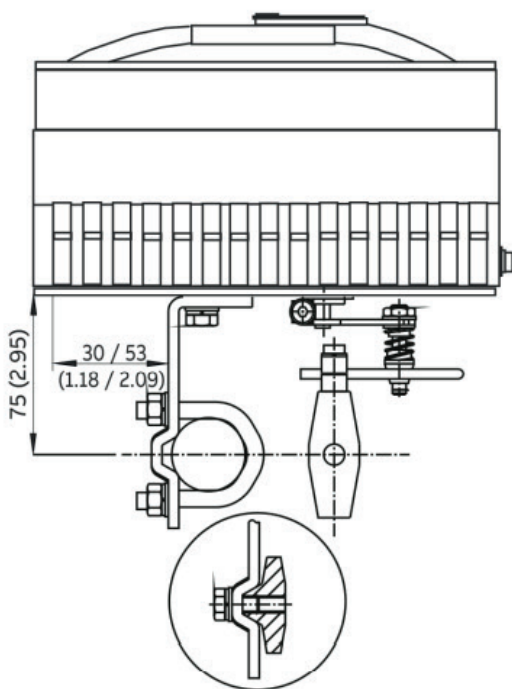
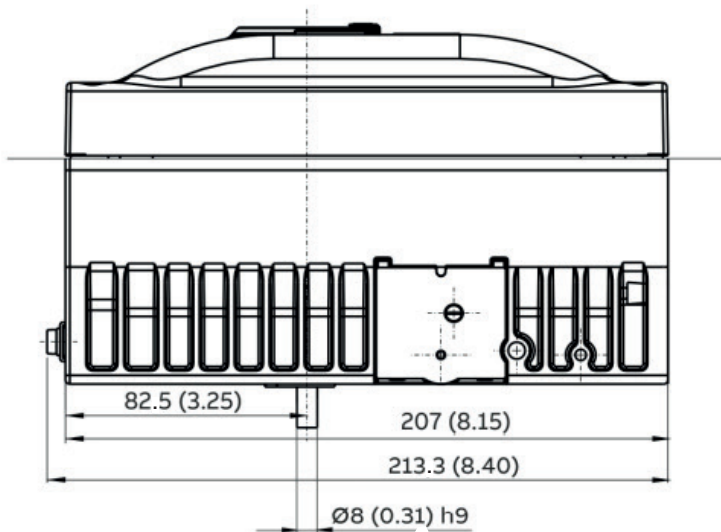
- ③ Threaded hole M5 x 0.5 (air outputs for integral mount)



- ① NPT 1/2" or M20 x 1.5

- ② Pneumatic connections, NPT 1/4" - 18 oder G1/4"

Dimensions (approximate) in mm (and inches)



* Dimensions A and B depend on the rotary actuator

Rotary positioner mounting kits

Actuator mounting dimensions	Spirax kit nomenclature
80/20 mm	AKR13
80/30 mm	AKR14
130/30 mm	AKR15
130/50 mm	AKR16

For BVA actuators the AKR14 mounting kit is required.

Positioner options - SP7-20 - 4-20mA or 4-20 mA with HART

Standard	Case/Mounting	Case made of aluminium, varnished, for mounting to linear actuators acc. DIN/IEC 534/NAMUR or to rotary actuators acc. VDI/VDE 3845	10
		Case made of aluminium, varnished, with mechanical position indicator, for mounting to linear actuators acc. DIN/IEC 534/NAMUR or to rotary actuators acc. VDI/VDE 3845	20
	Operation	With operator panel and display integrated in the enclosure cover	1
	Explosion Protection	ATEX II 2G Ex db II C T4/T5/T6 Gb	1
		IECEX Ex db II C T4/T5/T6 Gb	6
		NEPSI Ex db IIC T4/T5/T6 Gb	X
	Output/Safe Position (in case of an electrical power failure)	Single acting, fail safe	1
		Single acting, fail freeze	2
		Double acting, fail safe	3
		Double acting, fail freeze	4
	Connections	Cable: Thread M20 x 1.5, air pipe: Thread 1/4-18 NPT	2
		Cable: Thread 1/2-14 NPT, air pipe: Thread 1/4-18 NPT	3
	Option Modules for Analog or Digital Position Feedback	Without	0
		Plug-in module for analog position feedback, signal range 4 ... 20 mA, two-wire	1
		Plug-in module for digital position feedback	3
		Plug-in module for analog position feedback, signal range 4 ... 20 mA, two-wire, and digital position feedback	4
	Optional Mechanical Kit for Digital Position Feedback	Without	0
		Mechanical kit for digital position feedback with proximity switches SJ2-SN (NC or logical 1)	1
		Mechanical kit for digital position feedback with 24 V AC/DC microswitches (change-over contacts) (Note 2)	3
	Parameter Setting/Bus Address	Factory setting for HART devices	1
Design (Varnish/Coding)	Standard	1	
	Higher Stiffness + Lower Air Capacity	H	
	Protection Class IP 66	P	
Device Identification Label	Without	0	
	Label (Note 3)	1	
	Stainless steel 18.5 x 65 mm (0.73 x 2.56 in.) (Note 3)	2	
Optional	SIL2 - Declaration of Conformity	SIL2 - Declaration of Conformity (Note 4)	CS2
	CCC Certification	CCC for Ex db	CCC

SP7-20 Note 1: Only with cable connection NPT thread
 Note 2: Only for Ex d version
 Note 3: Plain text, max. 16 letters
 Note 4: With single acting, fail safe pneumatic only

Ordering Code Example: SP7-20 10 1 1 3 2 0 1 1 1 2

Positioner options - SP7-21 - PROFIBUS PA

Standard	Case/Mounting	Case made of aluminium, varnished, for mounting to linear actuators acc. DIN/IEC 534/NAMUR or to rotary actuators acc. VDI/VDE 3845	10
		Case made of aluminium, varnished, with mechanical position indicator, for mounting to linear actuators acc. DIN/IEC 534/NAMUR or to rotary actuators acc. VDI/VDE 3845	20
	Operation	With operator panel and display integrated in the enclosure cover	1
	Explosion Protection	ATEX II 2G Ex db II C T4/T5/T6 Gb	1
		IECEX Ex db II C T4/T5/T6 Gb	6
		NEPSI Ex db IIC T4/T5/T6 Gb	X
	Output/Safe Position (in case of an electrical power failure)	Single acting, fail safe	1
		Single acting, fail freeze	2
		Double acting, fail safe	3
		Double acting, fail freeze	4
	Connections	Cable: Thread M20 x 1.5, air pipe: Thread 1/4-18 NPT	2
		Cable: Thread 1/2-14 NPT, air pipe: Thread 1/4-18 NPT	3
	Option Module for Shutdown Function	Without	0
	Optional Mechanical Kit for Digital Position Feedback	Without	03
		Mechanical kit for digital position feedback with proximity switches SJ2-SN (NC or logical 1)	13
		Mechanical kit for digital position feedback with 24 V AC/DC microswitches (change-over contacts) (Note 2)	33
	Design (Varnish/Coding)	Standard	1
		Higher Stiffness + Lower Air Capacity	H
		Protection Class IP 66	P
	Device Identification Label	Without	0
Label including text, with separate sticker (Note 3)		1	
Stainless steel 18.5 x 65 mm (0.73 x 2.56 in.) (Note 3)		2	
Optional	CCC Certification	CCC for Ex db	CCC

SP7-21 Note 1: Only with cable connection NPT thread
 Note 2: Only for Ex d version
 Note 3: Plain text, max. 16 letters

Ordering Code Example: SP7-21 20 1 1 2 2 0 0 3 1 0

Positioner options - SP7-22 - FOUNDATION Fieldbus

Standard	Case/Mounting	Case made of aluminium, varnished, for mounting to linear actuators acc. DIN/IEC 534/NAMUR or to rotary actuators acc. VDI/VDE 3845	10
		Case made of aluminium, varnished, with mechanical position indicator, for mounting to linear actuators acc. DIN/IEC 534/NAMUR or to rotary actuators acc. VDI/VDE 3845	20
	Operation	With operator panel and display integrated in the enclosure cover	1
	Explosion Protection	ATEX II 2G Ex db II C T4/T5/T6 Gb	1
		IECEX Ex db II C T4/T5/T6 Gb	6
		NEPSI Ex db IIC T4/T5/T6 Gb	X
	Output/Safe Position (in case of an electrical power failure)	Single acting, fail safe	1
		Single acting, fail freeze	2
		Double acting, fail safe	3
		Double acting, fail freeze	4
	Connections	Cable: Thread M20 x 1.5, air pipe: Thread 1/4-18 NPT	2
		Cable: Thread 1/2-14 NPT, air pipe: Thread 1/4-18 NPT	3
	Option Modules for Shutdown Function	Without	0
	Optional Mechanical Kit for Digital Position Feedback	Without	04
		Mechanical kit for digital position feedback with proximity switches SJ2-SN (NC or logical 1)	14
		Mechanical kit for digital position feedback with 24 V AC/DC microswitches (change-over contacts) (Note 2)	34
	Design (Varnish/Coding)	Standard	1
		Higher Stiffness + Lower Air Capacity	H
		Protection Class IP 66	P
	Device Identification Label	Without	0
Label including text, with separate sticker (Note 3)		1	
Stainless steel 18.5 x 65 mm (0.73 x 2.56 in.) (Note 3)		2	
Optional	CCC Certification	CCC for Ex db	CCC

SP7-22 Note 1: Only with cable connection NPT thread
 Note 2: Only for Ex d version
 Note 3: Plain text, max. 16 letters

Ordering Code Example: SP7-22 10 1 1 3 2 0 34 P 2

Mounting/linkage kit : Positioner mounting kits for central mounting

Actuator Model	Valve Models	Valve Sizes	Spirax kit Nomenclature
PN9100	Spira-trol two port and QL three port	DN15 to DN50	AKL10
PN9200		DN15 to DN100	AKL10
PN9300		DN15 to DN100	AKL10
PN9400		DN125 to DN300	AKL17
TN2150	Spira-trol two port and QL three port	DN15 to DN100	AKL10
TN2300		DN125 to DN300	AKL17
TN2400	Spira-trol two port and QL three port	DN125 to DN300	AKL17
		DN125 to DN300	AKL17
TN2270		DN125 to DN300	AKL17
PN3000 Sprg Ext	LE, LEA and Steri-trol	DN15 to DN100	AKL10
PN4000 Sprg Ret		DN15 to DN100	AKL10
PN5000	KE, KEA, LE and QL three port	DN15 to DN100	AKL10 +UBC
PN6000		DN15 to DN100	AKL10 + UBC
PN5000	QL three port	DN125 to DN200	AKL11 + UBC
PN6000		DN125 to DN200	AKL11 + UBC
PN1600	"C" series	DN65 to DN100	AKL11
PN1600		DN125 to DN200	AKL11
PN1600	Spira-trol	DN125 to DN300	AKL11

BVA actuators

For BVA actuators the AKR14 mounting kit is required.

Gauge blocks

		Spirax Nomenclature	Weight
6 bar/87 psi NPT¼"	Single acting	GBS6A	0.28 kg
	Double acting	GBD6A	0.32 kg
0.6 Mpa/87 psi NPT¼"	Single acting	GBS06A	0.28 kg
	Double acting	GBD06A	0.32 kg

How to order

Example: 1 off Spirax Sarco SP7-20-10113201112 Smart positioner with AKL10 mounting kit and GBS6A gauge block.

Caution: The SP7-20 positioner must have a high quality air supply to ISO 8573-1:2010 Class 3:3:3.