



SIB45

Stainless Steel

Sealed Inverted Bucket Steam Trap

Description

The SIB45 is an all stainless steel sealed inverted bucket steam trap. It is provided with pressure change assemblies for pressure differentials between 0.5 and 45 bar (7 and 65 psi). Traps for 45 bar (65 psi) are provided with an in-built check valve as standard.

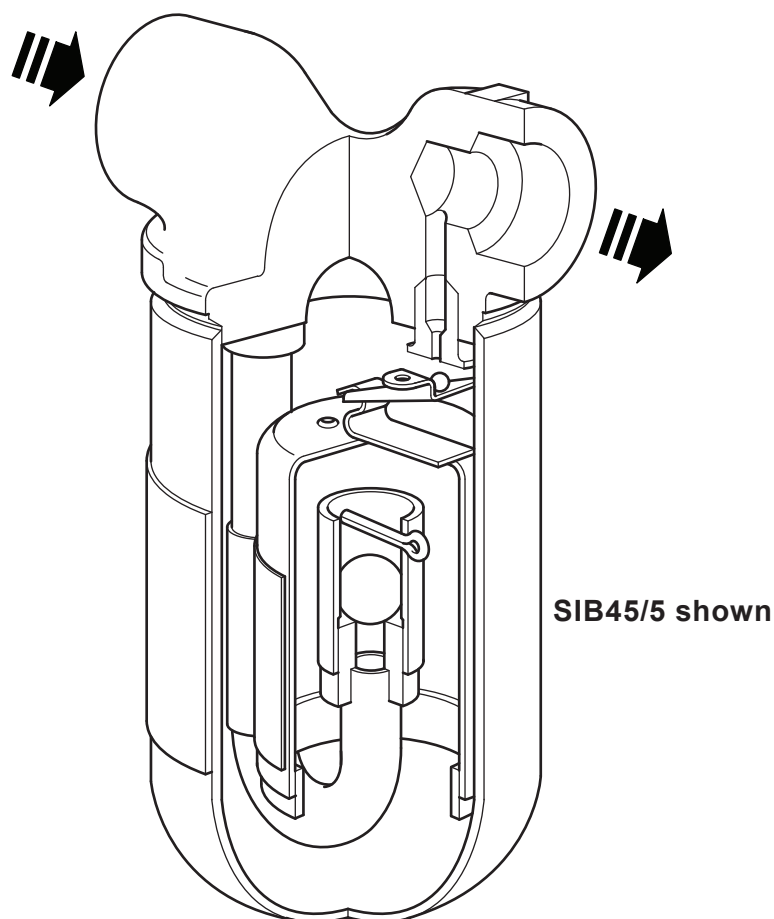
Standards

This product fully complies with the requirements of the European Pressure Equipment Directive 2014/68/EU.

Certification

This product is available with certification to EN 10204 3.1

Note: All certification/inspection requirements must be stated at the time of order placement.



Sizes and pipe connections

SIB45/5

DN20 and DN25 ($\frac{3}{4}$ " and 1")

Butt weld ends ANSI B 16.5 (to suit ANSI B 36.10 Schedule 80 pipe).

Socket weld ends BS 3799 Class 3000 and ANSI B16.11.

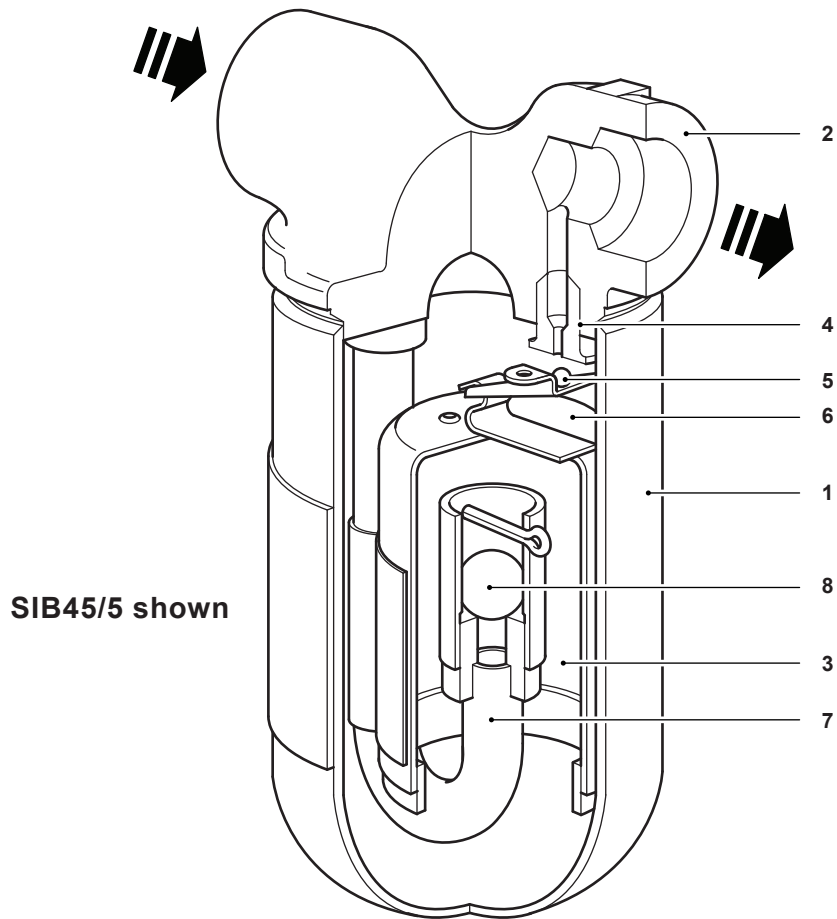
Standard flanges DIN 2547 PN100 and ANSI 600.

SIB45/6, SIB45/8, SIB45/10

$\frac{3}{4}$ " and 1" screwed BSP T Rp (ISO 7-1) or NPT.

DN20 and DN25 Standard flanges ANSI 150 and ANSI 300.

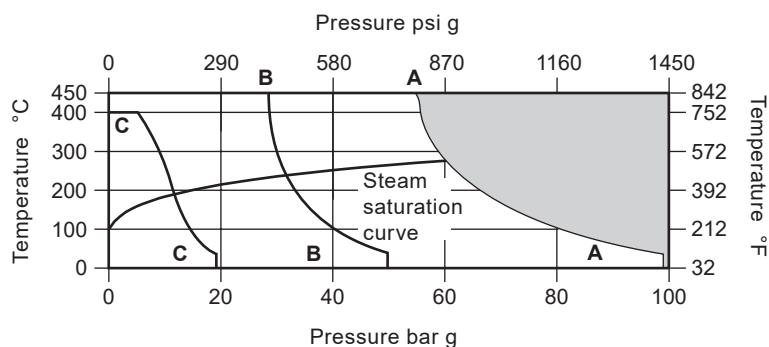
Materials



No.	Part	Material	
1	Cover	Stainless steel	ASTM A240 Gr. 304
	Body	Stainless steel	ASTM A 182 F 304
2	Pipes	Stainless steel	ASTM A 312 Gr. 304
	Flanges *	Stainless steel	ASTM A 182 F 304
3	Bucket	Stainless steel	
4	Valve seat	Stainless steel	
5	Valve	Stainless steel	
6	Valve lever	Stainless steel	
7	Internal tube	Stainless steel	
8	Check valve assembly (SIB45/5 only)	Stainless steel	

* **Note:** For all flanges except: 3/4" PN100 - ASTM A 182 F 316

Pressure/temperature limits



The product **must not** be used in this region.

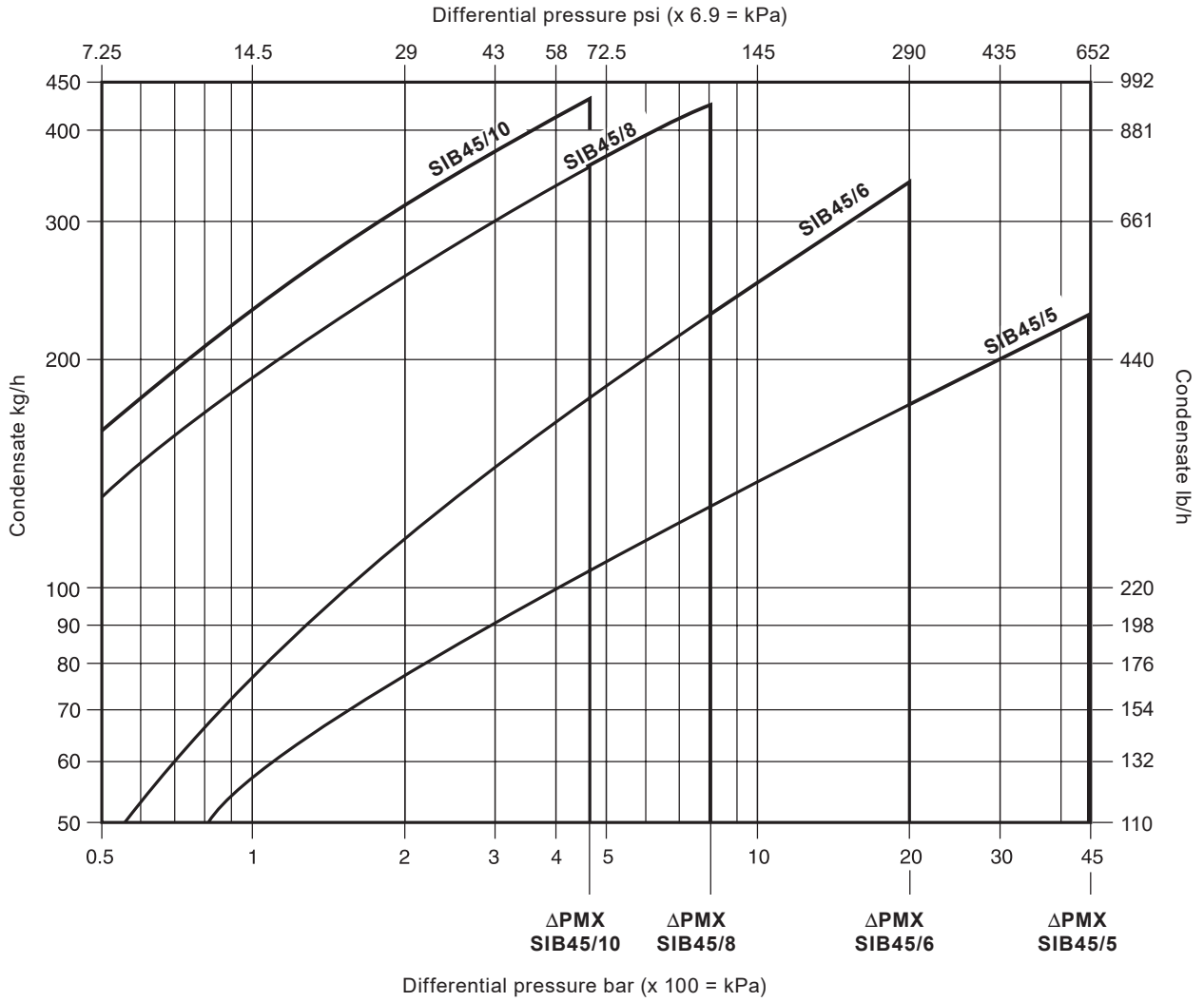
A - A Screwed, butt weld, socket weld, flanged DIN 2547 PN100 and ANSI 600.

B - B Flanged ANSI 300.

C - C Flanged ANSI 150.

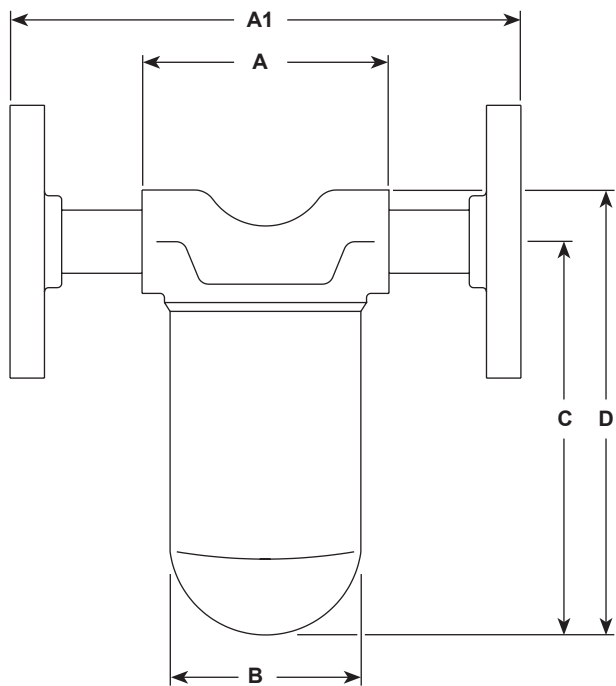
Body design conditions		PN100		
PMA	Maximum allowable pressure	100 bar g @ 37 °C	1450 psi g @ 98.6 °F	
TMA	Maximum allowable temperature	450 °C @ 54 bar g	842 °F @ 783 psi g	
Minimum allowable temperature		-254 °C	-425 °F	
PMO	Maximum operating pressure for saturated steam service	60 bar g	870 psi g	
TMO	Maximum operating temperature	450 °C @ 54 bar g	842 °F @ 783 psi g	
Minimum operating temperature		0 °C	32 °F	
Note: For lower operating temperatures consult Spirax Sarco				
ΔPMX	Maximum differential pressure	SIB45/10	4.5 bar	65 psi g
		SIB45/6	20.0 bar	290 psi g
		SIB45/5	45.0 bar	653 psi g
Product is safe for use under full vacuum conditions				
Designed for a maximum cold hydraulic test pressure of		150 bar g	2176 psi g	

Capacities



Note: A trap should be selected for the most appropriate working pressure differential and not on the basis of load, e.g.: 80 kg/h at 7 bar (176 lb/h at 102 psi) at 7 bar differential should be handled with the SIB45/8 and not the SIB45/5.

Dimensions / weights (approximate) in mm (inches) and kg (lbs)



Size	A	A1	B	C	D	Weight	
						SW/BW	Flanged
DN20 - 3/4"	110	230	85	175	198	3	6.5
DN25 - 1"	(4.33)	(9.06)	(3.35)	(6.89)	(7.80)	(6.61)	(14.3)

Safety information, installation and maintenance

For full details see the Installation and Maintenance Instructions (IM-P110-05) supplied with the product.

Installation

Install in a horizontal pipe, below the drain point. If installed in exposed positions, consideration should be given to insulating the trap.

How to order

Example: 1 off Spirax Sarco DN20 SIB45/5 sealed inverted bucket steam trap flanged to ANSI 600.

Note: The cover (and flanges when specified) are welded to the body using the TIG process. Welds are approved in accordance with ASME section IX and BS 4870, Part 1.