



TI-P110-01
 ST Issue 7

SIB30 and SIB30H Stainless Steel Sealed Inverted Bucket Steam Traps

Description

The SIB30 and SIB30H are all stainless steel sealed inverted bucket steam traps.

Standards

These products fully comply with the requirements of the European Pressure Equipment Directive 97/23/EC.

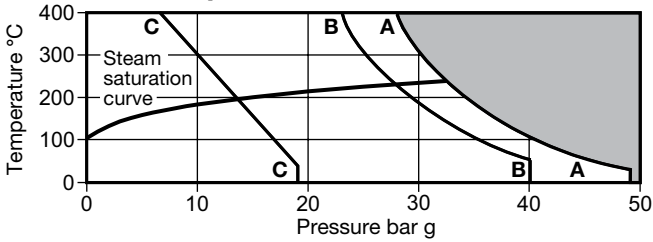
Certification

This product is available with certification to EN 10204 3.1.
Note: All certification/inspection requirements must be stated at the time of order placement.

Sizes and pipe connections

1/2" and 3/4" screwed BSP or NPT.
 DN15 and DN20 socket weld ends (BS 3799).
 DN15 and DN20 flanged ASME 150, ASME 300 and EN 1092 PN40 as standard. Alternative flanges are also available, on request, with JIS tables 20, 16 and 10 connections.

Pressure/temperature limits (iso 6552)



The product **must not** be used in this region.

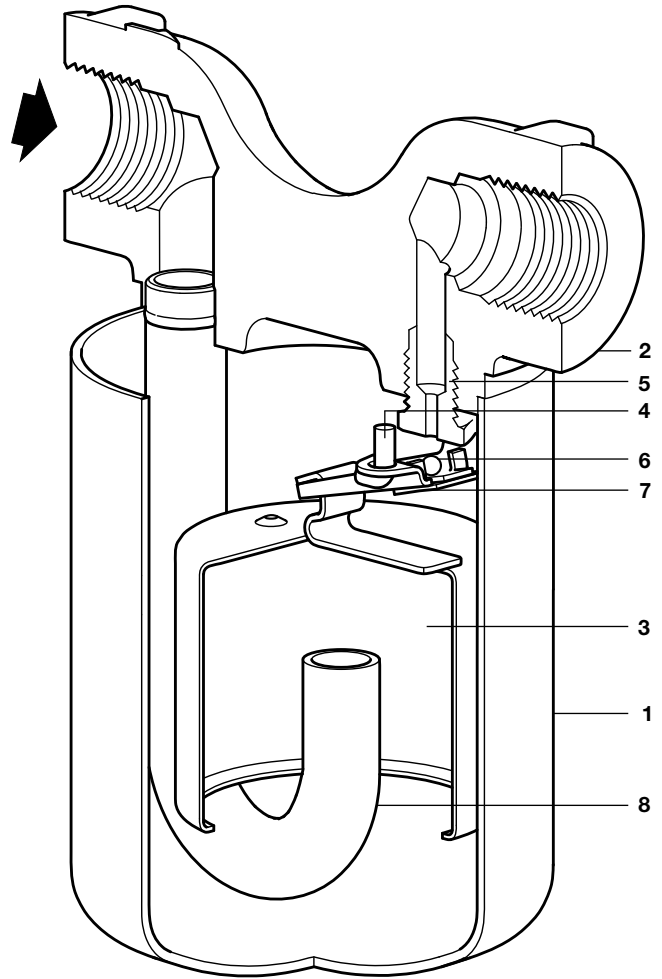
- A - A Flanged ASME 300, screwed and socket weld.
- B - B Flanged EN 1092 PN40.
- C - C Flanged ASME 150.

Body design condition	PN50
PMA Maximum allowable pressure	49 bar g @ 37°C
TMA Maximum allowable temperature	400°C @ 28 bar g
Minimum allowable temperature	-29°C
PMO Maximum operating pressure for saturated steam service	30 bar g
TMO Maximum operating temperature	400°C @ 28 bar g
Minimum operating temperature	0

Note: For lower operating temperatures consult Spirax Sarco

	30.0	SIB30/4	SIB30H/5
	20.0	SIB30/5	SIB30H/6
	12.0	SIB30/6	SIB30H/7
ΔPMX Maximum differential pressure	8.5	SIB30/7	SIB30H/8
	5.0	-	SIB30H/10
	4.0	SIB30/8	-
	2.5	SIB30/10	-
	2.0	-	SIB30H/12
	1.5	SIB30/12	-

Designed for a maximum cold hydraulic test pressure of 75 bar g

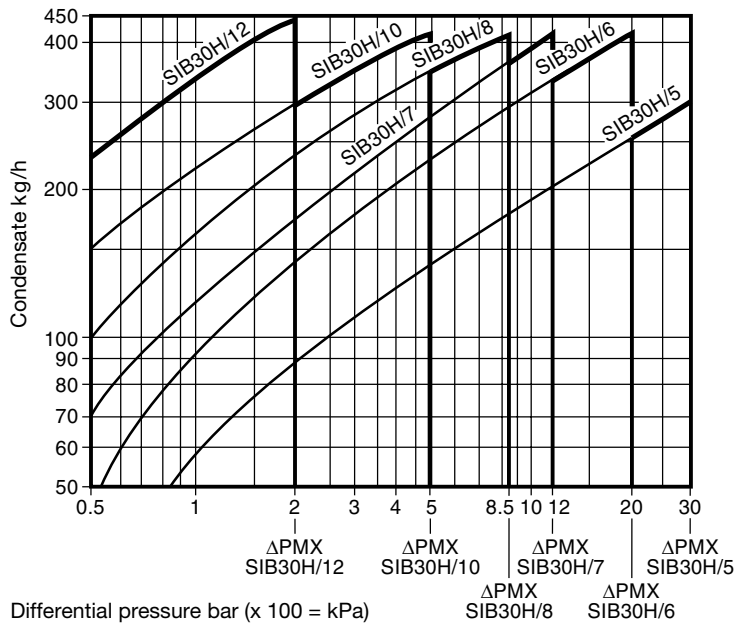
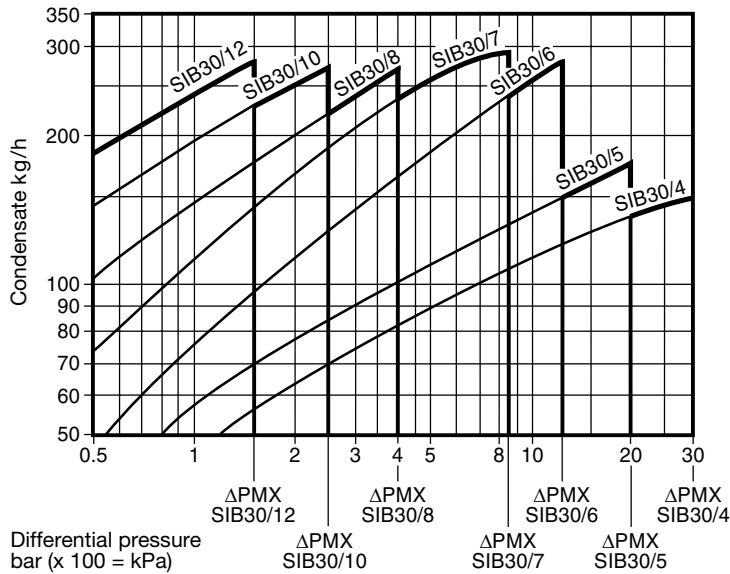


Materials

No.	Part	Material
1	Cover	Stainless steel ASTM A240 Gr. 304
2	Body	Stainless steel A182 F304
	Flanges	Carbon steel Mat No. 1.0460 (C22.8)
3	Bucket	Stainless steel BS 1449 321 S 12
4	Pivot pin	Stainless steel BS 970 304 S 15
5	Valve seat	Stainless steel AISI 440B
6	Valve	Stainless steel AISI 440B
7	Valve lever	Stainless steel BS 1449 321 S 12
8	Internal tube	Stainless steel BS 3605 304 S 14

Capacities

Note: A trap should be selected for the most appropriate working pressure differential and not on the basis of load, e.g. 80 kg/h at 7 bar differential should be handled with the SIB30/7 and not the SIB30/4.



Dimensions/weights (approximate) in mm and kg

SIB30 Size	A	A1	B	C	D	Weight Scr/SW	Weight Flg
DN15 - 1/2"	110	150	76	124	143	1.5	2.9
DN20 - 3/4"	110	150	76	124	143	1.5	2.9

SIB30H Size	A	A1	B	C	D	Weight Scr/SW	Weight Flg
DN15 - 1/2"	110	150	76	159	177	1.75	3.15
DN20 - 3/4"	110	150	76	159	177	1.75	3.15

Safety information, installation and maintenance

For full details see the Installation and Maintenance Instructions (IM-P110-05) supplied with the product.

Installation note:

Install in a horizontal pipe, below the drain point. If installed in exposed positions, consideration should be given to insulating the trap.

How to order

Example: 1 off Spirax Sarco 1/2" screwed BSP SIB30/6 sealed inverted bucket steam trap.

Note: The cover (and flanges when specified) are welded to the body using the TIG process. Welds are approved in accordance with ASME section IX and BS EN 288.

