

# spirax sarco

## SBP30

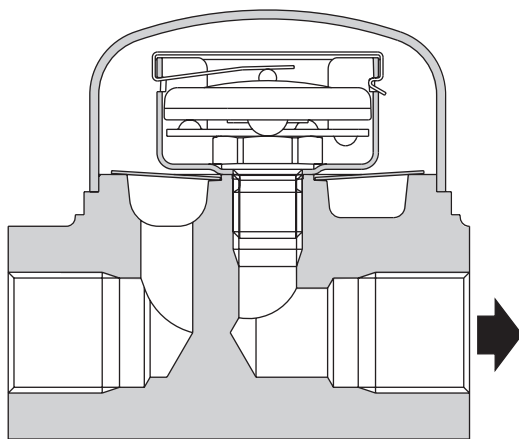
# Stainless Steel Sealed Balanced Pressure Thermostatic Steam Trap

## Description

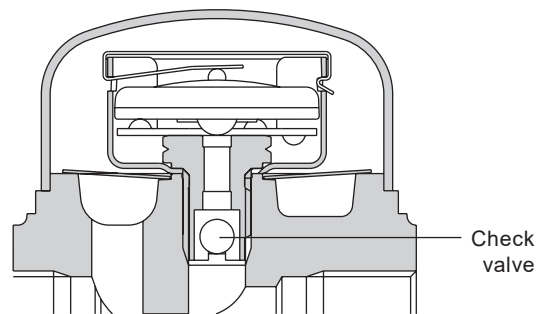
The SBP30 is a sealed balanced pressure stainless steel steam trap with straight connections. It is unaffected by waterhammer and is available as follows:-

<b>Standard unit</b>	<b>SBP30</b>	Low capacity without check valve with 'STD' fill capsule
	<b>SBP30LCV</b>	Low capacity with check valve
<b>Also available</b>	<b>SBP30H</b>	High capacity without check valve
	<b>SBP30HCV</b>	High capacity with check valve

**Note:** When placing an order always state capsule fill.



**SBP30**



**SBP30LCV**  
**SBP30HCV**

## Capsule fill and operation:

**Standard capsule** is marked with 'STD' for operation at approximately 12 °C (53.6 °F) below steam saturation temperature.

**Optionally** - the trap can be supplied for sub-cooled 'SUB' operation at approximately 24 °C (75.2 °F) below steam saturation temperature.

## Standards

This product fully complies with the requirements of the Pressure Equipment Directive (PED).

The cover (and flanges when specified) is welded to the body using the TIG process. Welds are approved in accordance with ASME Section IX and BS EN 288.

## Certification

The product is available with certification to EN 10204 3.1.

**Note:** All certification/inspection requirements must be stated at the time of order placement.

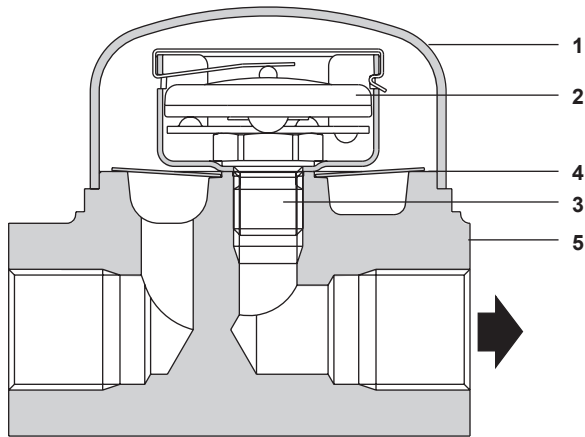
## Sizes and pipe connections

½" and ¾" screwed BSP or NPT.

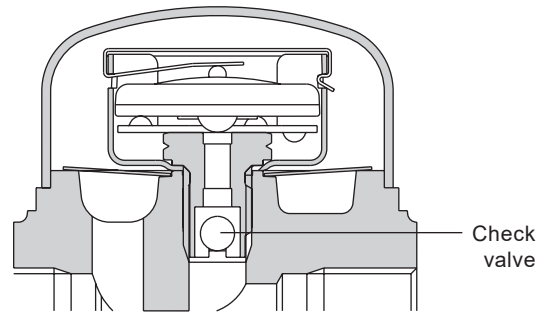
½" and ¾" socket weld ends to BS 3799/ASME (ANSI) B 16.11 Schedule 80.

DN15 and DN20 standard flange ASME (ANSI) B 16.5 Class 150 and ASME (ANSI) 300, EN 1092, PN25 and PN16.

## Materials



**SBP30**



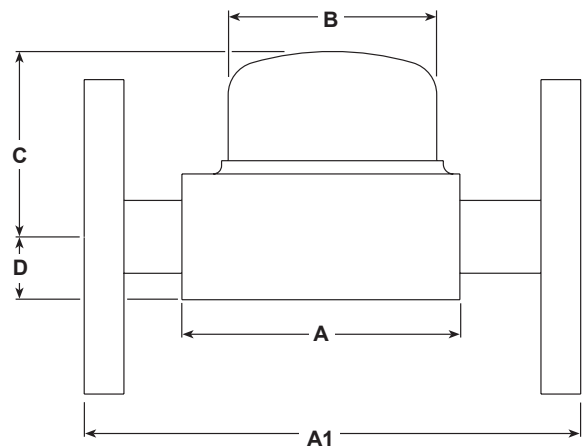
**SBP30LCV  
SBP30HCV**

No	Part	Material	
1	Cover	Stainless steel	ASTM A240 Gr. 304
2	Capsule	Stainless steel	
3	Valve seat	Stainless steel	AISI 431
4	Strainer screen	Stainless steel	AISI 304
	Body	Stainless steel	A182 F304
	Flanges PN40	Carbon steel	DIN 17100 ST 37/2
5	Flanges ANSI	Carbon steel	ASTM A105N
	Stub ends	Schedule 40 pipe to	ASTM A106 Grade B

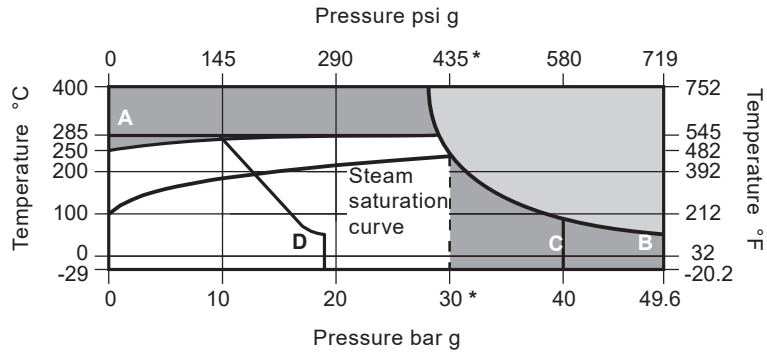
**Note:** Carbon steel flanges are supplied as standard. Stainless steel flanges can be supplied as an option.


## Dimensions/weights (approximate) in mm (inches) and kg (lbs)


Size	A	A1	B	C	D	Weight	
						Scr/ SW	Flg
1/2" - DN15	80	150	63	56	19	1.0	2.4
3/4" - DN20	(3.15)	(5.91)	(2.48)	(2.20)	(0.75)	(2.20)	(5.3)



## Pressure/temperature limits



 The product **must not** be used in this region.

 The product should not be used in this region or beyond its operating range as damage to the internals may occur.

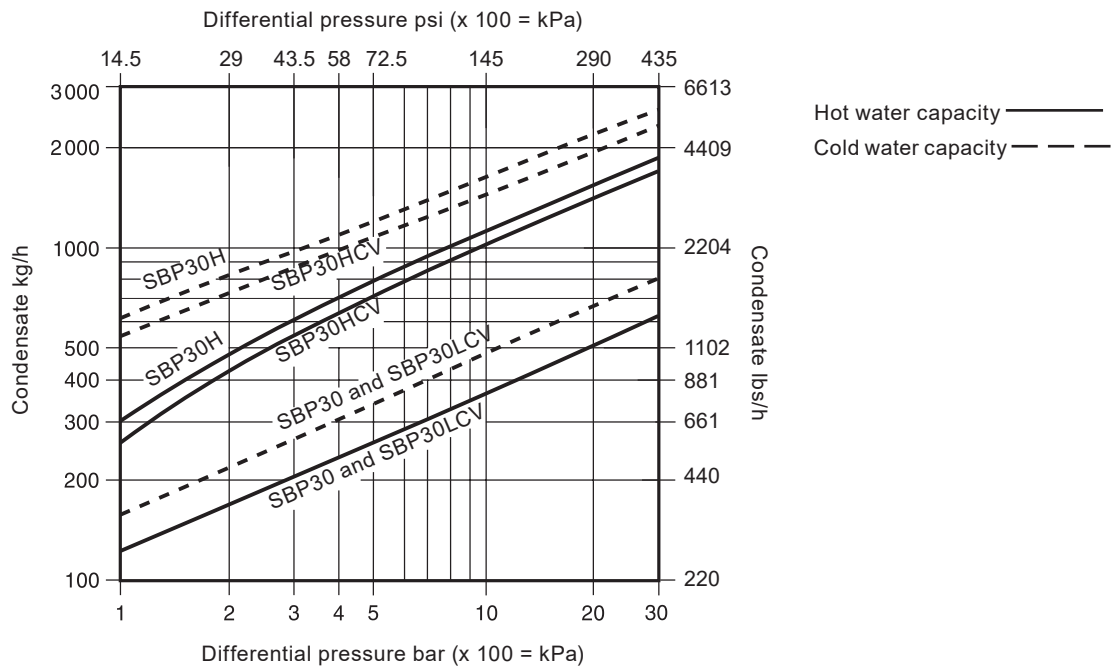
**A - B** Screwed, socket weld and flanged Class 300.

**A - C** Flanged EN 1092 PN40.

**A - D** Flanged ASME (ANSI) 150.

Body design conditions		Class 300	
PMA	Maximum allowable pressure	49.6 bar g @ 50 °C	719 psi g @ 122 °F
TMA	Maximum allowable temperature	400 °C @ 27.8 bar g	752 °F @ 403 psi g
	Minimum allowable temperature	-29 °C	-20.2 °F
PMO	Maximum operating pressure	30 bar g @ 235 °C	435 psi g @ 455 °F
TMO	Maximum operating temperature	285 °C @ 30 bar g	545 °F @ 435 psi g
	Minimum operating temperature	0 °C	32 °F
<b>Note:</b> For lower operating temperatures consult Spirax Sarco			
Designed for a maximum cold hydraulic test pressure of		75 bar g	1088 psi g

## Capacities



## Safety information, installation and maintenance

For full details see the Installation and Maintenance Instructions (IM-P120-04) supplied with the product.

### Installation note:

The trap is designed for installation with the capsule in a horizontal plane and the cover at the top, preferably with a drop leg immediately preceding the trap. Suitable isolation valves must be installed to allow for safe maintenance and trap replacement.

### Maintenance note:

It is important to renew the complete assembly as there are no servicable parts.

### Disposal

This product is recyclable. No ecological hazard is anticipated with the disposal of this product, providing due care is taken.

## How to order

**Example:** 1 off 1/2" screwed BSP Spirax Sarco SBP30 stainless steel sealed balanced pressure thermostatic steam trap. The trap is to be supplied with an 'STD' fill capsule fitted for operation at approximately 12 °C below steam saturation temperature.