

# spirax sarco

## S8

TI-P138-10  
ST Issue 7

## Stainless Steel Separator DN65 to DN350

### Description

The S8 is a stainless steel baffle type separator for the efficient removal of entrained liquids from steam, air and gas systems. A suitable steam trap (FT) or liquid drainer (CA) is required to drain the collected condensate/liquid depending on the application:

**For steam service** fit an FT ball float steam trap and AV air vent

**For air / gas service** fit a CA ball float liquid drainer

### Standards

This product fully complies with the requirements of the European Pressure Equipment Directive 97/23/EC and is designed and manufactured in accordance with EN 13445:2002 – 'Unfired Pressure Vessels'.

### Certification

This product is available with material certification to EN 10204 3.1 as standard. A full data dossier is available at extra cost – consult Spirax Sarco.

**Note:** All certification / inspection requirements must be stated at the time of order placement.

### Sizes and pipeline connections

DN65, DN80, DN100, DN125, DN150, DN200, DN250, DN300 and DN350.

Flanged EN 1092 PN16 or PN40  
with screwed BSP vent and drain connections.

Flanged ASME B16.5 Class 150 and 300  
with screwed NPT vent and drain connections.

Flanged JIS/KS 20K  
with screwed BSP vent and drain connections.

Screwed, socket weld and other connections are available to special order – consult Spirax Sarco.

### Materials

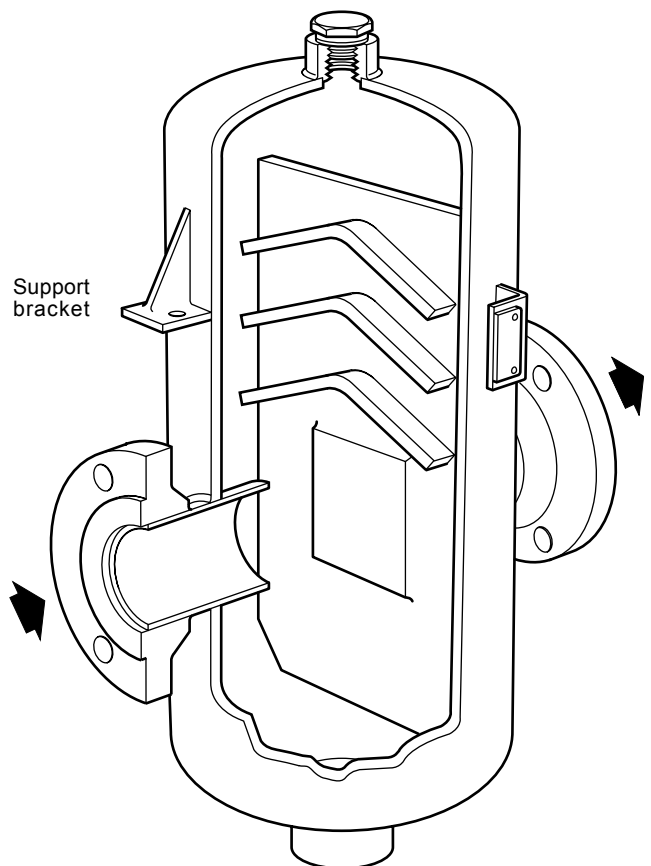
All components of the S8 are manufactured from austenitic stainless steel (304).

For a complete carbon steel version (S7) see TI-P138-03.

### Pressure/temperature limits

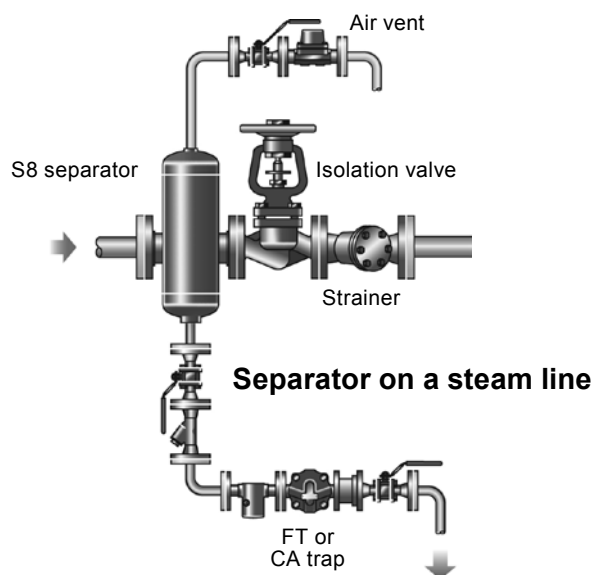
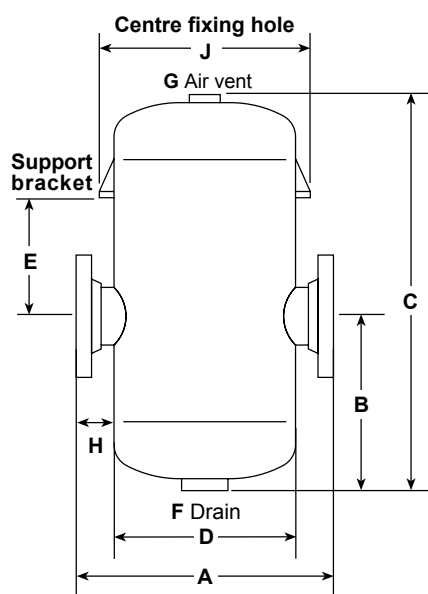
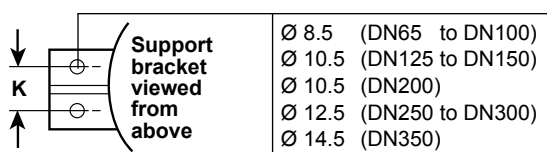
Size	Flange standard	Design pressure bar g	Design temperature °C	Designed for a maximum cold hydraulic test pressure of: bar g
DN65 to DN350	PN16	14	198	21.0
	ASME 150	20	213	30.0
	JIS/KS 20K	23	217	34.5
	PN40	25	225	37.5
	ASME 300	25	225	37.5

**Please note:** For pressures and temperatures that exceed these operating conditions please contact Spirax Sarco for a quotation.



**Dimensions, weight and volume** (approximate) in mm, kg and litres

Size	Design pressure (bar g)	A	B	C	D	E	F	G	H	J	K	Weight	Volume
DN65	14	420	252	638	219	181	1"	¾"	100	263	30	38	14
	20 and 23	420	252	638	219	181	1"	¾"	100	263	30	38	14
	25	420	252	638	219	181	1"	¾"	100	263	30	38	14
DN80	14	523	332	735	273	204	1"	¾"	125	318	30	58	31
	20 and 23	523	332	735	273	204	1"	¾"	125	318	30	58	31
	25	523	332	735	273	204	1"	¾"	125	318	30	58	31
DN100	14	574	337	795	324	180	2"	¾"	125	384	40	83	48
	20 and 23	574	337	795	324	180	2"	¾"	125	384	40	83	48
	25	574	337	795	324	180	2"	¾"	125	384	40	83	48
DN125	14	656	310	843	377	247	2"	¾"	150	416	44	118	66
	20 and 23	656	310	843	377	247	2"	¾"	150	416	44	118	66
	25	656	310	843	377	247	2"	¾"	150	416	44	118	66
DN150	14	706	347	935	426	273	2"	¾"	150	486	60	154	110
	20 and 23	706	347	935	426	273	2"	¾"	150	486	60	154	110
	25	706	347	935	426	273	2"	¾"	150	486	60	154	110
DN200	14	858	460	1200	530	372	2"	2"	175	560	60	292	223
	20 and 23	858	460	1200	530	372	2"	2"	175	560	60	292	223
	25	858	460	1200	530	372	2"	2"	175	560	60	292	223
DN250	14	950	615	1580	600	530	2"	2"	175	688	72	440	376
	20 and 23	950	615	1580	600	530	2"	2"	175	688	72	440	376
	25	950	615	1580	600	530	2"	2"	175	688	72	440	376
DN300	14	1010	740	1700	600	540	2"	2"	200	698	72	564	415
	20 and 23	1010	740	1700	600	540	2"	2"	200	698	72	564	415
	25	1010	740	1700	600	540	2"	2"	200	698	72	564	415
DN350	14	1100	754	1800	700	525	2"	2"	200	816	108	735	623
	20 and 23	1100	754	1800	700	525	2"	2"	200	816	108	735	623
	25	1100	754	1800	700	525	2"	2"	200	816	108	735	623



**Capacities**

See TI-S33-06 for full details of capacities.

**How to order**

**Example:** 1 off Spirax Sarco DN80 S8 stainless steel separator with PN40 flanges. Suitable for pressures up to 25 bar (please specify design conditions).

**Safety information, installation and maintenance**

For full details see the Installation and Maintenance Instructions (IM-P023-55) supplied with the product.

**Installation note:** To ensure efficient drainage of condensate a suitable ball float trap and air vent should be installed. For air/gas applications a balance line is required between the CA trap and the main line or top of the separator – consult Spirax Sarco for further details.

**Disposal**

The product is recyclable. No ecological hazard is anticipated with disposal of this product providing due care is taken.

**Spare parts**

The S8 is non maintainable - No spare parts are available.