



Cert. No. LRQ 0963008

ISO 9001

spirax sarco

TI-P027-04
ST Issue 5

Pressure Gauge with Integral Restrictor

Description

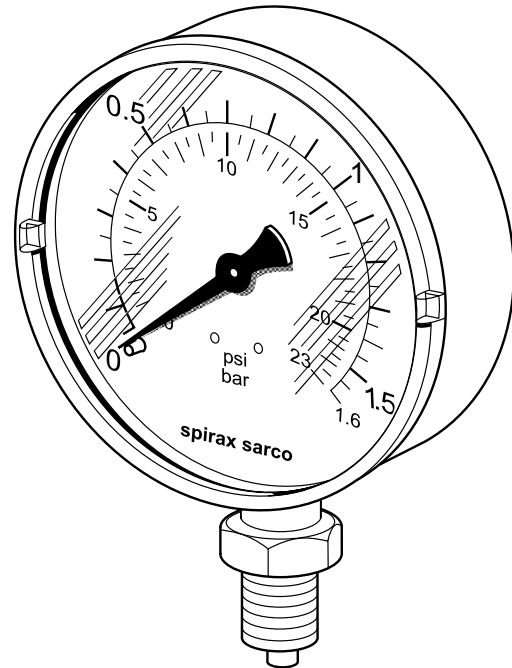
Pressure gauge with 100 mm diameter dial with units marked in bar and psi. The gauge is supplied with either:
Ring type syphon tube and cock or a 'U' type syphon tube and cock.
Bourdon tube gauge, constructed in accordance with DIN 16005.
Suitable for pump applications.

Available pressure range

Range 1	0 - 1.6 bar	0 - 23 psi
Range 2	0 - 4 bar	0 - 53 psi
Range 3	0 - 6 bar	0 - 66 psi
Range 4	0 - 10 bar	0 - 145 psi
Range 5	0 - 16 bar	0 - 230 psi
Range 6	0 - 25 bar	0 - 360 psi

Options

The range 1 to 6 is also available with an MPa scale



Standards

The product fully complies with the requirements of the European Pressure Equipment Directive 97/23/EC.

Certification

A certificate of conformity is available as standard for this product. A calibration certificate is available by special order at extra cost.
Note: All certification/inspection requirements must be specified at the time of order placements.

Sizes and pipe connections

Pressure gauge		3/8" BSP male	(BS 2779)
Gauge cock	Gauge end	3/8" BSP female	(BS 2779)
	Syphon end	3/8" BSP female parallel	(BS 21)
Ring / 'U' syphon	Cock end	3/8" BSP male taper	(BS 21)
	Process end	3/8" male parallel	(BS 21)

Pressure/temperature limits

Maximum design conditions	PN25
PMA Maximum allowable pressure	Full scale reading
TMA Maximum allowable temperature	217°C

Note: Either a 'U' or a ring syphon must be fitted to achieve this.

Minimum allowable temperature -40°C

PMO Maximum operating pressure	Range 1	1.6 bar (23 psi)
	Range 2	4 bar (53 psi)
	Range 3	6 bar (66 psi)
	Range 4	10 bar (145 psi)
	Range 5	16 bar (230 psi)
	Range 6	25 bar (360 psi)

Please note: For compressed air and steam services the maximum operating pressure for this product is 21 bar g.

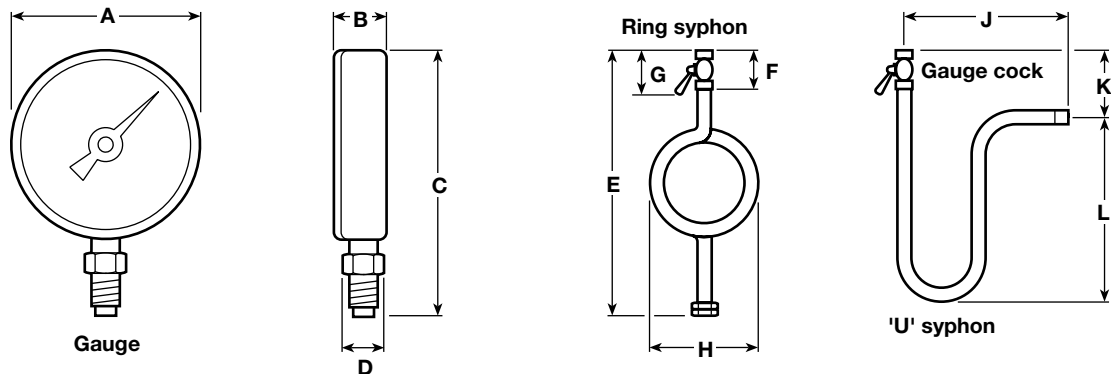
TMO Maximum operating temperature 200°C

Materials

Part	Material	
Gauge	Case	Pressed steel black finish
	Window	Glass
	Bourdon tube	Cu Sh 8 (92% Cu 8% Zn)
Ring and 'U' syphon	Mild steel tube BS 1387 heavy grade	
Gauge cock	Body	Brass
	Handle	Phenolic

Dimensions/weights (approximate) in mm and kg

Gauge					Ring syphon					'U' syphon					
A	B	C	D	Weight	E	F	G	H	Weight Syphon	Weight Cock	J	K	L	Weight Syphon	Weight Cock
100	29	137	22 A/F	0.43	321	35	80	116	0.94	0.21	167.5	61.5	136.5	0.59	0.21



Safety information, installation and maintenance

For full details see the Installation and Maintenance Instructions (IM-P027-02) supplied with the product.

Installation note:

As with all instrumentation, the Spirax Sarco pressure gauge is a delicate measuring device and care has to be taken in its installation and use if it is to remain reliable.

It is recommended that all gauges are fitted with a gauge cock to assist when calibration or maintenance is necessary. When used on steam or other hot gases, gauges **must** be protected from heat by the use of a 'U' syphon or ring syphon tube and gauge cock. The syphon pipe should be primed with water prior to fitting the gauge. Care should be taken if the installation is exposed to frost as gauges can burst.

Disposal:

The product is recyclable. No ecological hazard is anticipated with the disposal of this product providing due care is taken.

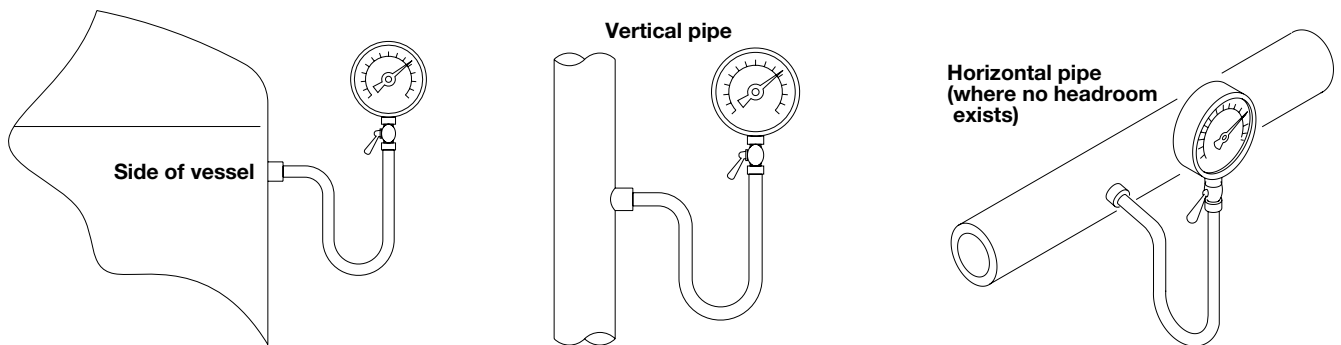
How to order

Example: 1 off Spirax Sarco $\frac{3}{8}$ " pressure gauge with restrictor. Pressure range 6 (0 - 25 bar) and having screwed BSP connections.

Spare parts

There are no spare parts available for Spirax Sarco pressure gauges.

Typical uses of a 'U' syphon and gauge



Typical uses of a ring syphon and gauge

