

PPC and PPF Pressure Powered Pumps

Available types

PPC cast iron body and cover, with gunmetal check valves.
PPF fabricated steel body and cover, with steel check valves.
Connecting nipples are not supplied with check valves.

Limiting conditions

Body design conditions PPC - 8.6 bar g (up to 232°C)
PPF - 8.6 bar g (up to 343°C)*.

Operating inlet pressure.

Steam, air or gas, 0.34 to 8.6 bar g.

Total lift or back pressure which must be below operating pressure to allow capacity to be achieved.

Height (H) in metres x 0.0981 plus pressure (bar g) in return line, plus downstream piping friction pressure drop in bar calculated at a flow rate of the lesser of six times the actual condensate rate or 20,000 L/h.

Filling head recommended above the pump is 0.3 m.

Minimum filling head 0.15 m (reduced capacity.)

Standard pump operates with liquids of specific gravity 1.0 down to 0.9, specify when ordering for liquid specific gravity from 0.9 to 0.65.

Pump discharge per cycle:- PPC 27 L, PPF 32 L.

Each cycle at a maximum flow rate of 20,000 L/h.

Steam consumption — 3 kg. of steam per 1000 kg liquid pumped.

Air consumption — 6230 L_n per 1000 kg liquid pumped.

* ASME stamped — (ASME Boiler and Pressure Vessel Code Section VIII Div 1).

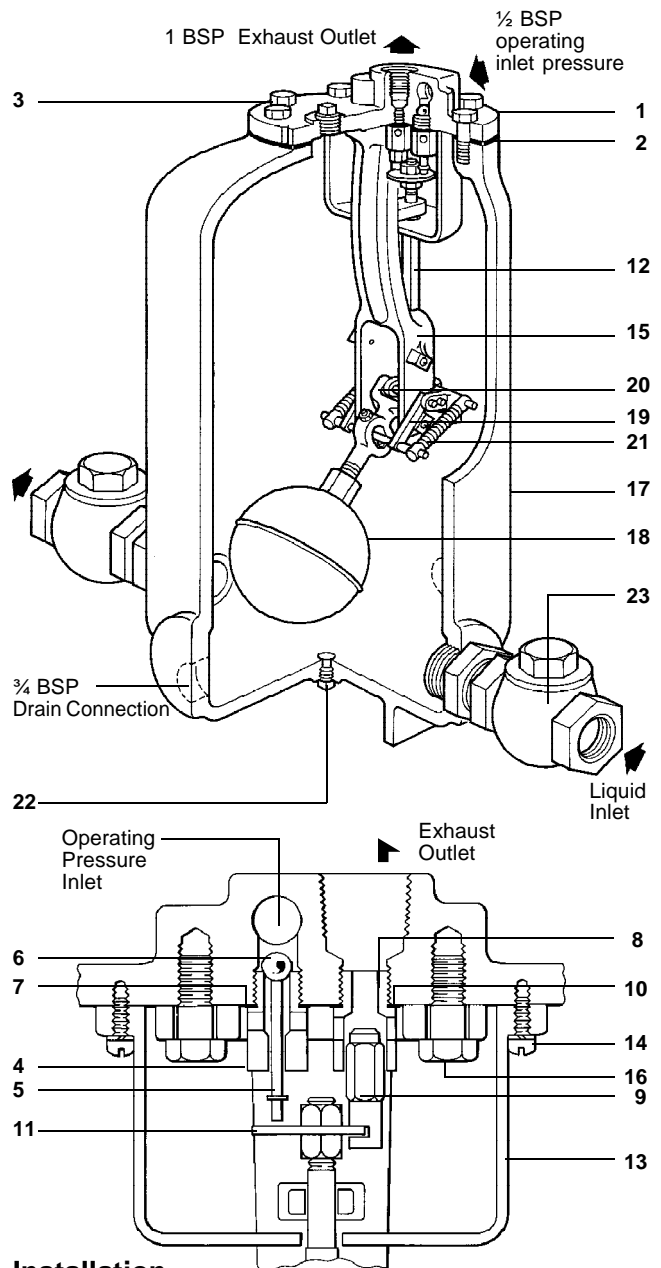
Sizes and pipe connections

1", 1½", 2" and 3" x 2" PPC Screwed bsp (BS21 - parallel)
PPF Screwed API

Materials

No.	Part	Material
1	Cover PPC PPF	Cast Iron ASTM A126 Class B Cast Steel ASTM A216 WCB
2	Cover Gasket	Graphite Union Carbide GHP
3	Cover Screws	Steel SAE 1035 Gr. 5 ½" -13 x 1¼"
4	Inlet Valve Seat	Stainless Steel AISI 303
5	Inlet Valve Stem	Stainless Steel AISI 303
6	Inlet Valve Head	Stainless Steel AISI 440
7	Inlet Valve Seat Gasket	Stainless Steel AISI 302
8	Exhaust Valve Seat	Stainless Steel AISI 303
9	Exhaust Valve	Stainless Steel AISI 303
10	Exhaust Valve Seat Gasket	Stainless Steel AISI 301
11	Valve Actuator Disc	Stainless Steel AISI 302
12	Push Rod	Stainless Steel AISI 303
13	Baffle	Cast Iron ASTM A126 Class B
14	Baffle Screws	Stainless Steel AISI 303 ¼" — 20 x ¾"
15	Mechanism Yoke	Cast Iron ASTM A126 Class B
16	Mechanism Yoke Screws	Stainless Steel AISI 304 ½" — 13 x 1¼"
17	Body PPC PPF	Cast Iron ASTM A126 Class B Carbon Steel + ASTM SA414 G
18	Float & Arm	Stainless Steel AISI 304
19	Linkage Mechanism	Stainless Steel AISI 303/304
20	Push Rod Actuator	Stainless Steel AISI 304
21	Spring	Stainless Steel AISI 316
22	Plug ½"	Forged Steel ASTM A105
23	Check Valves PPC PPF	Gunmetal BS 1400 LG1 Cast Steel ASTM A216 WCB

+ Alternatives are sometimes used.



Installation

For best operation any flash steam must be vented or condensed ahead of pump inlet.

Full details are given in the Installation Instructions supplied with each pump.

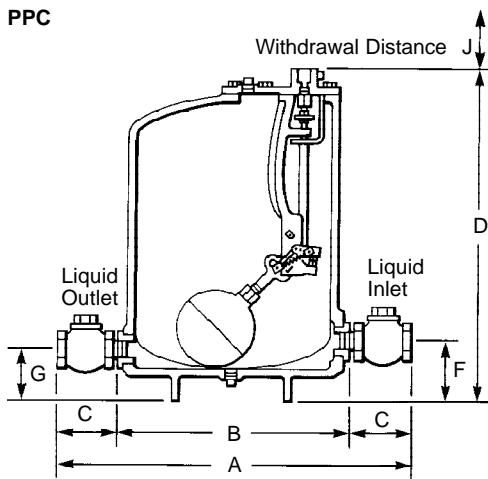
Optional extras

Flow counter for measuring liquid pumped.

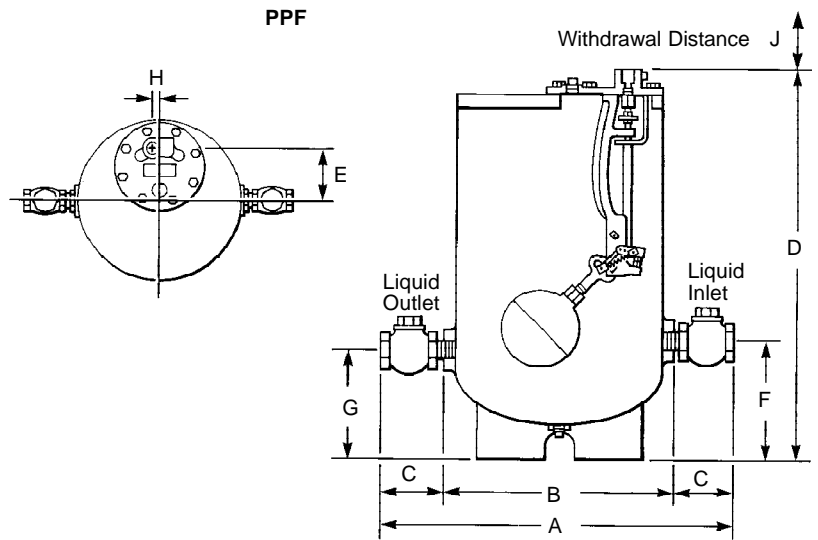
A plugged boss is provided on the pump cover, screwed ½" API for connecting the counter. The flow counter body is brass and must be installed in a vertical position. Flow counter can only be used when pump exhaust is vented to atmosphere.

Gauge glass with brass cocks.

PPC



PPF



Dimensions (approximate) in millimetres

Size	A	B	C	D	E	F	G	H	J	Weight	
										Pump	Cv's
1"	648	441	86	633	129	114	99	16	300	100 kg	3.2 kg
1½"	705	438	108	633	129	114	99	16	300	100 kg	5.2 kg
2"	749	413	133	633	129	114	99	16	300	100 kg	7.7 kg
3" x 2"	806	413	181	633	129	114	99	16	300	100 kg	15.9 kg

How to specify

1 - SPIRAX SARCO Pressure Powered Pump type PPC with cast iron body size 2", complete with gunmetal check valves, and flow counter.

All external connections to be screwed bsp.

Selection and Sizing — See TIS 5.202.

Note

If you are in any doubt about the size of pump required or if the conditions are unusual we will be glad to advise you if you will give us the answers to the following questions:-

- 1) Nature of liquid to be pumped.
- 2) Temperature of liquid to be pumped.
- 3) Quantity to be pumped (L/h).
- 4) Initial lift horizontal distance and net effective lift (i.e. initial lift less subsequent fall in discharge line).
- 5) Operating medium (steam, compressed air or gas).
- 6) Operating pressure available.
- 7) The pump is generally used to drain water from a vented receiver but under certain circumstances can drain a unit from under steam pressure or vacuum.
State which.

Note: To achieve rated capacity, pump must be installed with check valves as supplied by Spirax Sarco. Use of a substitute check valve may affect the performance of the pump.

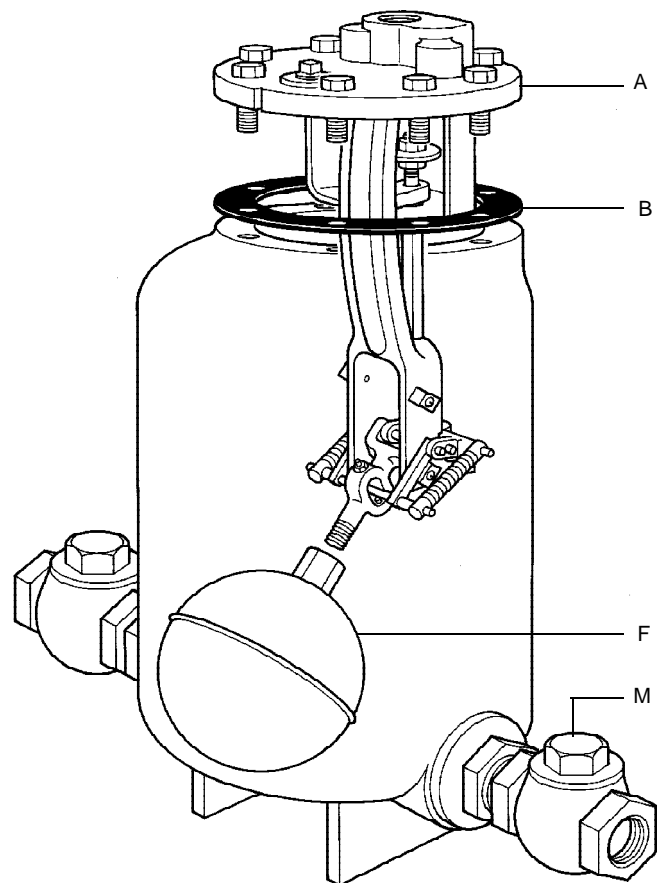
Spare parts for sizes 1", 1½", 2" and 3" x 2"

The spare parts available are shown in heavy outline. Parts drawn in broken line are not available as spares.

AVAILABLE SPARE	
Cover Gasket	B
Float	F
Inlet/Outlet Check Valve (each)	M
Cover and Internal mechanism Assembly	A,B,F (complete)

Recommended tightening torque

Cover bolts — 80/88 Nm



How to Order

Always order spares by using the description given in the columns headed Available Spare and by stating the size and type of pump.

Example — 1 — Cover Gasket for 2" SPIRAX SARCO PPC Pressure Powered Pump.