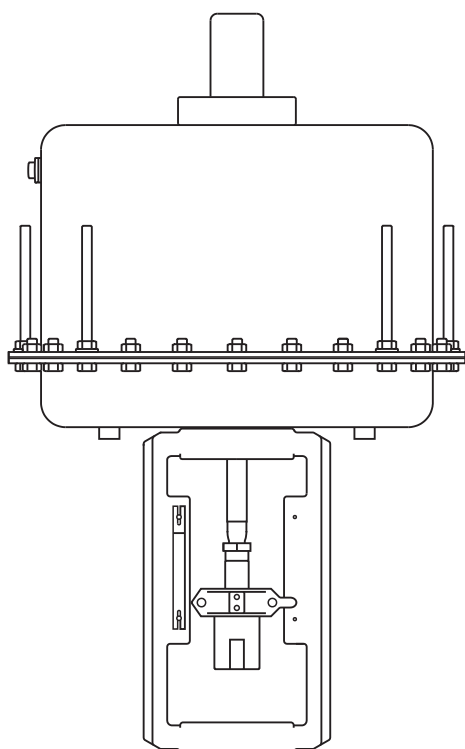
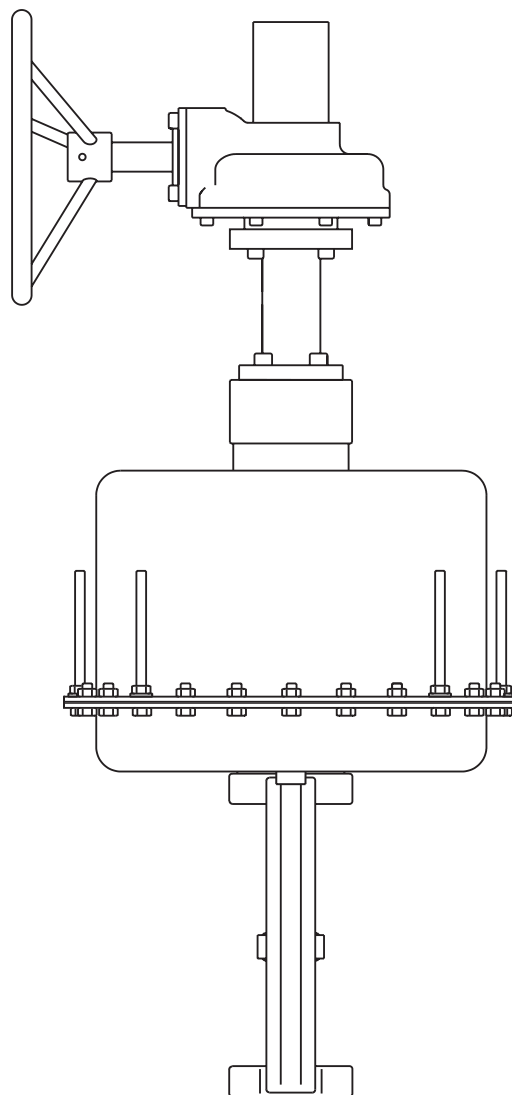




PN9400 Series Pneumatic Actuators for Spira-trol™ K and L Series DN125 - DN300, C Series and QL Series



PN9400 Series



PN9400 Series with handwheel

Description

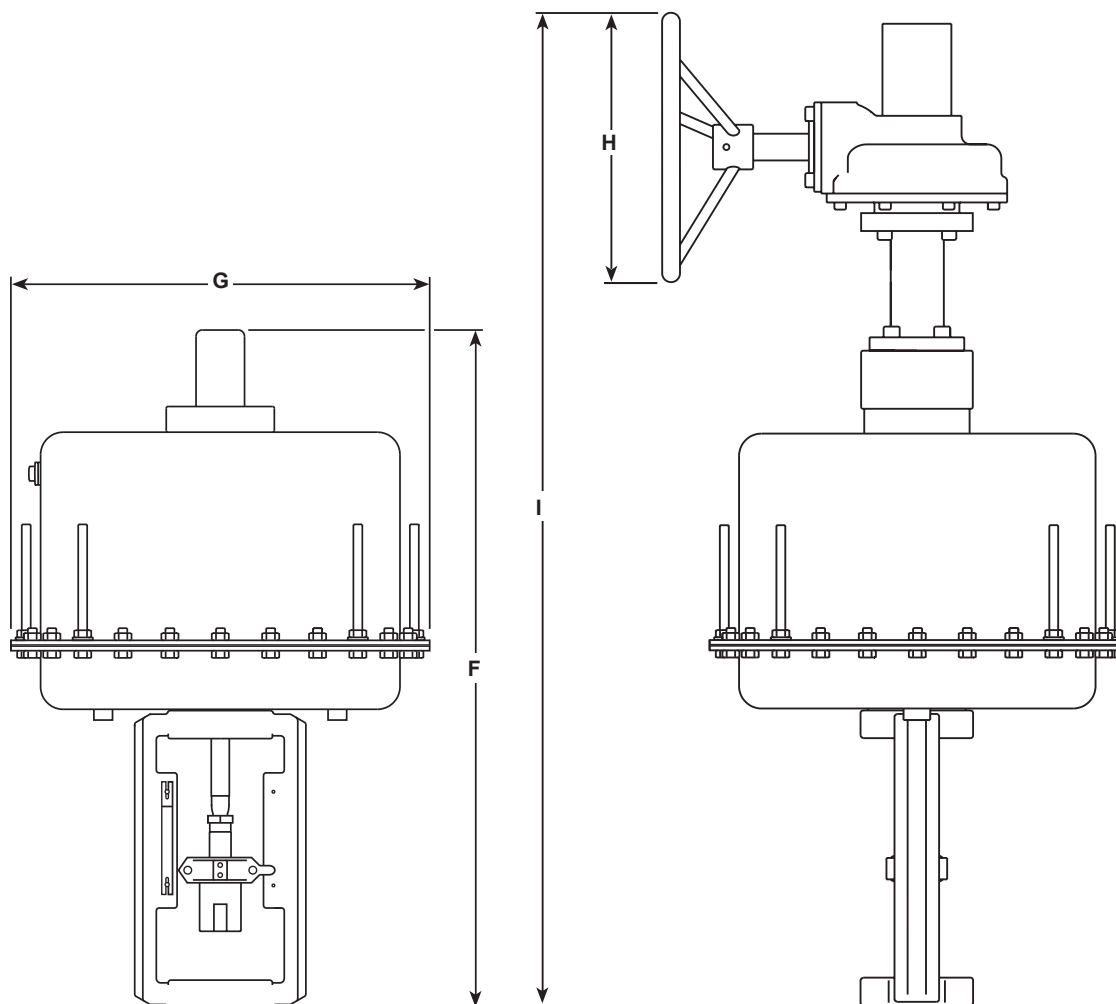
The PN9400 series are a compact range of linear pneumatic actuators. They have been designed for matching the requirements of valves at various differential pressures. Each actuator is fitted with a mechanical travel indicator and incorporates a fully-rolling diaphragm, which provides good linearity over the operating stroke.

Available types and options

See the 'PN9400 series selection guide' on page 2, to fully understand the product nomenclature quoted throughout this document.

Technical data

Temperature range	-20 °C to +80 °C
Maximum operating inlet pressure	4 bar g
Air supply connection	2 x ½" NPT
Actuator travel	80 mm



Dimensions/weights (approximate) in mm and kg

Actuator		F	G	H	I	Weight	
							With handwheel
PN9400E and variants	PN94_6E	732	465	300	1120	60	30
	PN94_3E	732	465	300	1120	60	30
PN9400R and variants	PN94_6R	732	465	300	1050	60	28
	PN94_3R	732	465	300	1050	60	28

PN9400 series selection guide:

Type	PN = Polyester powder coated (standard)					Area of diaphragm 1 110 cm ²	PN
Series	9 = 9000 series						9
Actuator size	4 = 1 110 cm ²						4
Valve travel	8 = 80 mm						8
Spring rating and Actuator force in relation to the motive air pressure	3 = Min. 1.8 - 3.0 bar Max. Force 20 000 N						3
	6 = Min. 0.9 - 1.5 bar Max. Force 10 000 N						
Spring action	E = Spring-extend (Closed)						E
	R = Spring-retract (Open)						
Optional - Bolting	S = Stainless steel						
Optional - Handwheel	H = Handwheel						

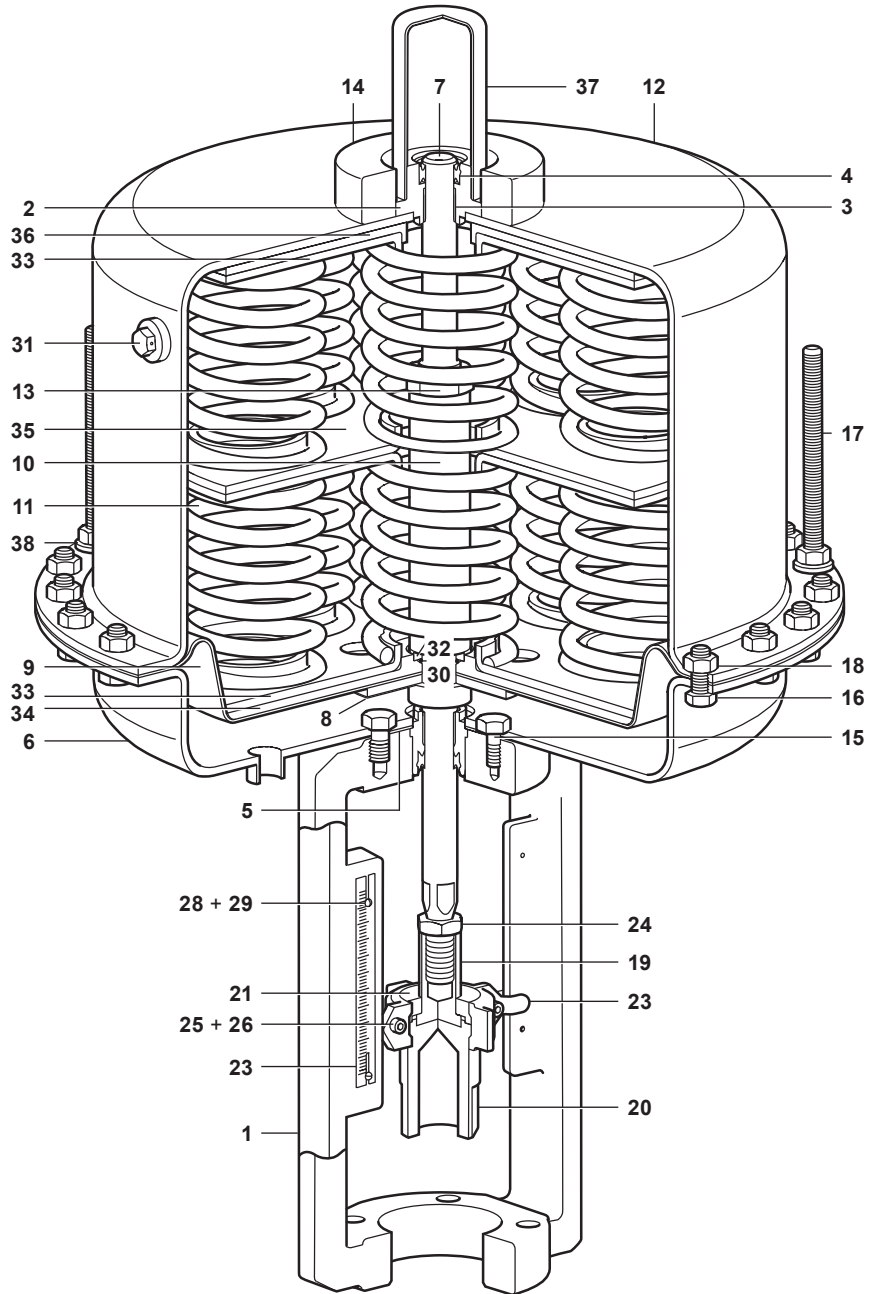
Selection example:

PN	9	4	8	3	E	-	-
----	---	---	---	---	---	---	---

How to order example: 1 off Spirax Sarco PN9483E pneumatic piston actuator.

Materials

No.	Part	Material
1	Yoke	SG iron
2	Bearing and seal insert	Carbon steel
3	Bearing	PTFE/steel composite
4	Seal	Polyurethane
5	Gasket	Reinforced graphite
6	Housing lower	Carbon steel
7	Spindle	Stainless steel
8	Diaphragm protection plate	Carbon steel
9	Diaphragm	Reinforced NBR
10	Spacer	Carbon steel
11	Spring	Carbon steel
12	Housing upper	Carbon steel
13	Lock-nut	Carbon steel
14	Up guide	Carbon steel
15	Screw	Carbon steel
16	Screw	Carbon steel
17	Screw	Carbon steel
18	Nut	Carbon steel
19	Connector	Stainless steel
20	Adaptor	Stainless steel
21	Collar	Stainless steel
22	Clamp	Stainless steel
23	Scale	Stainless steel
24	Lock-nut	Carbon steel
25	Screw	Carbon steel
26	Nut	Carbon steel
27	Screw	Carbon steel
28	Nut	Carbon steel
29	Screw	Carbon steel
30	'O' ring	Viton
31	Vent plug	Brass
32	Washer 'O' ring	Carbon steel
33	Intermediate plate	Carbon steel
34	Diaphragm guide plate	Carbon steel
35	Spring plate	Carbon steel
36	Spring guide plate	Carbon steel
37	Cap protection	Plastic
38	Washer	Carbon steel



Spare parts

The only spare parts available are clearly indicated below and are common for both spring-extend and spring-retract versions.

Available spares

Stem seal kit	3, 4 and 5
Diaphragm kit	9 and 30
Travel indicator kit	23, 28 and 29
Spring kit	11
Linkage	19, 20, 21, 22, 25 and 26
Handwheel	

How to order spares

Always order spares by using the description given in the column headed 'Available spares' and state the model.

Example: 1 off Spring kit for a PN9483E pneumatic piston actuator.