



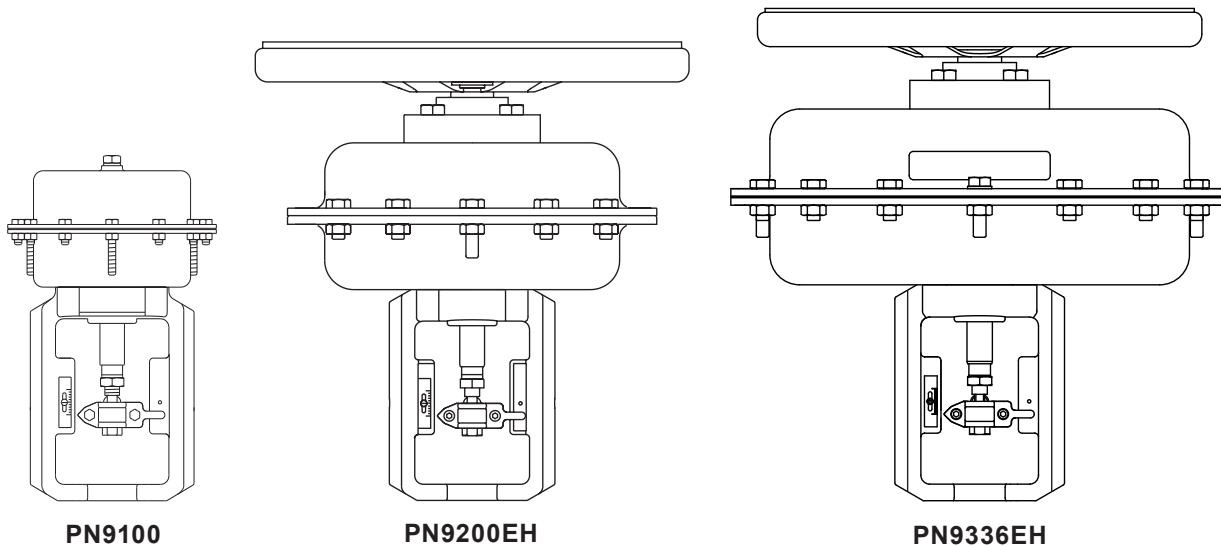
PN9000 Series Pneumatic Actuators for use with Spira-trol™ Control Valves

Description

The PN9000 series actuators are a compact range of linear actuators that are available in 3 diaphragm sizes for matching the requirements of valves at various differential pressures.

Each actuator is fitted with a mechanical travel indicator and incorporates a fully-rolling diaphragm, which provides good linearity over the operating stroke.

Available types	PN = Standard	Suffix E = Spring-extend	Important note: Throughout this document, reference has been made to the PN actuator.
		Suffix R = Spring-retract	
Optional extra	Manual handwheel	Suffix H	
	Anti-corrosive bolting	Suffix S	
Fast speed		Suffix F	



PN9100

PN9200EH

PN9336EH

Actuator force available in relation to motive air pressure

Actuator	Area of diaphragm (cm ²)	Spring rating (bar)		Spring force E = Closed / R = Opened (N)	Actuator force available in relation to motive air pressure (N)					
					1	2	3	4	5	6
PN91_0_	100	0.2	1.0	200		1000	2000	3000	4000	5000
PN91_0_	100	0.4	1.2	400		800	1800	2800	3800	4800
PN91_6_	100	1.0	2.0	1000			1000	2000	3000	4000
PN91_3_	100	2.0	4.0	2000					1000	2000
PN92_0_	340	0.2	1.0	680		3400	6800	10200		
PN92_0_	340	0.4	1.2	1360		2720	6120	9520		
PN92_6_	340	1.0	2.0	3400			3400	6800	10200	13600
PN92_3_	340	2.0	4.0	6800					3400	6800
PN93_0_	670	0.2	1.0	1340		6700	13400			
PN93_0_	670	0.4	1.2	2680		5360	12060			
PN93_6_	670	1.0	2.0	6700			6700	13400		
PN93_7_	670	2.5	3.5	16750				3350		

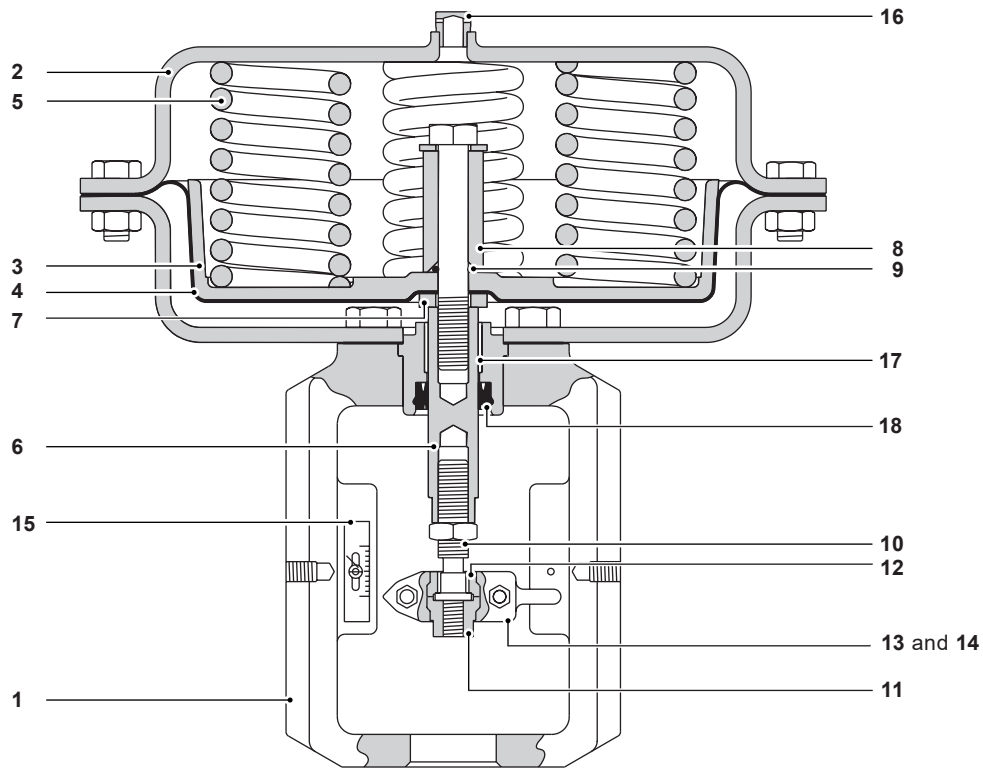
Technical data

Temperature range	Reinforced NBR Diaphragm	- 20 °C to +110 °C
	EPDM (T version)	-20 °C to +130 °C
Maximum operating inlet pressure	PN9100	6 bar g
	PN9220E	3 bar g
	PN9226E/PN9230E	4 bar g
	PN9223E/PN9236E/PN9233E and PN9200R	6 bar g
	PN9320E	2 bar g
	PN9330E	3 bar g
	PN9336E-PN9337E	4 bar g
	PN9300R	2.7 bar g
Air supply connection		¼" NPT
Actuator travel	PN9100	20 mm
	PN922_ and PN932_	20 mm
	PN923_ and PN933_	30 mm
Reinforced NBR diaphragm		

Compliance

The PN9000 series actuator, when coupled to the Spira-trol™ control valve (as defined in the Technical Information sheets TI-S24-71 and TI-S24-72), complies with the requirements of Machinery Directive 2006/42EC. Please refer to the Installation and Maintenance Instructions for the PN9000 series (IM-P357-29) and the Spira-trol™ valve (IM-S24-42) for potential hazards and safety information relating to the installation, commissioning, maintenance and disposal of the product assembly and its component parts.

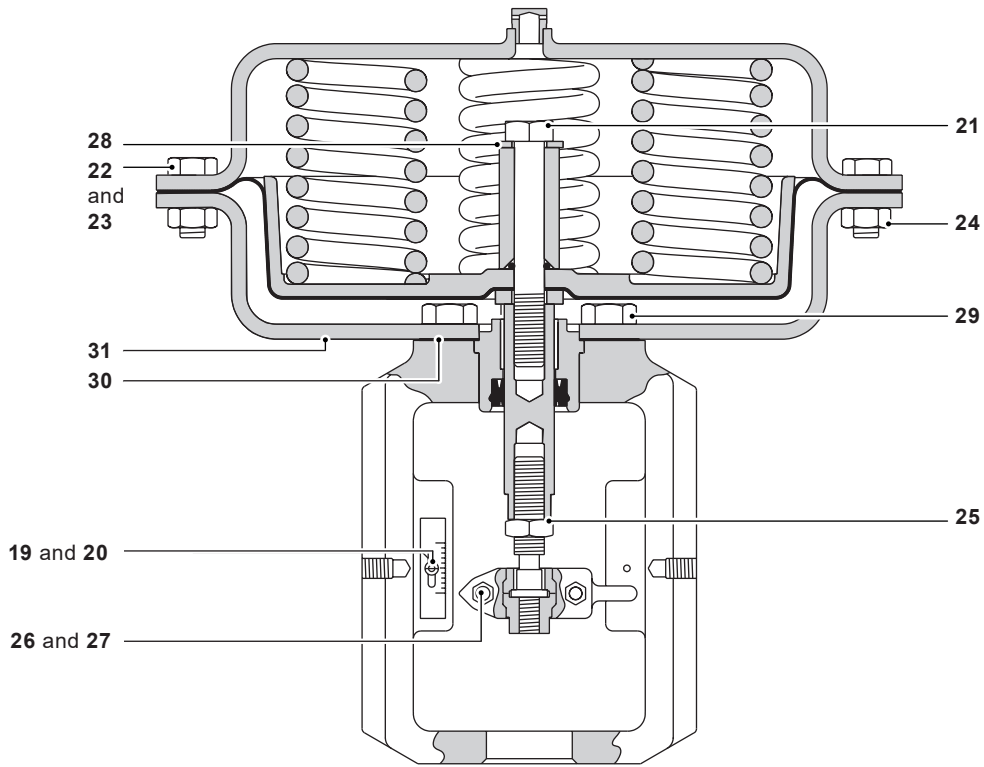
Materials



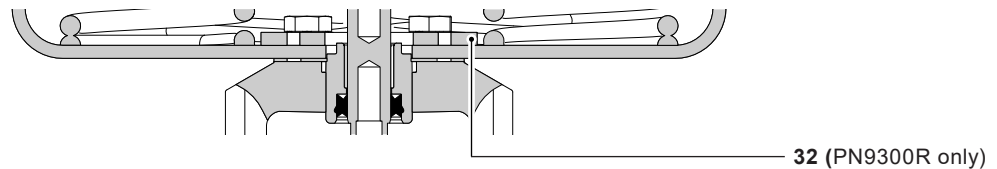
No.	Part	Material	
1	Yoke	SG iron	
2	Upper diaphragm housing	Carbon steel (Zn. plated)	
3	Diaphragm plate	Aluminium	
4	Diaphragm (optional EPDM for T version)	Reinforced NBR	
5	Spring	Spring steel	
6	Spindle	Stainless steel	
7	Washer	Carbon steel (Zn. plated)	
8	Spacer	Carbon steel (Zn. plated)	
9	'O' ring	Viton	
10	Connector	Stainless steel	BS 970 431 S29
11	Adaptor	Stainless steel	BS 970 431 S29
12	Collar	Stainless steel	1.4057
13	Clamp front	Stainless steel	BS 3100 Pt 2 304 C15
14	Clamp rear	Stainless steel	BS 3100 Pt 2 304 C15
15	Scale	Stainless steel	BS 1449 304 S16
16	Vent plug	Brass	
17	Bearing	PTFE/steel composite	
18	Seal	Polyurethane (FKM for T version)	

Materials continued on next page

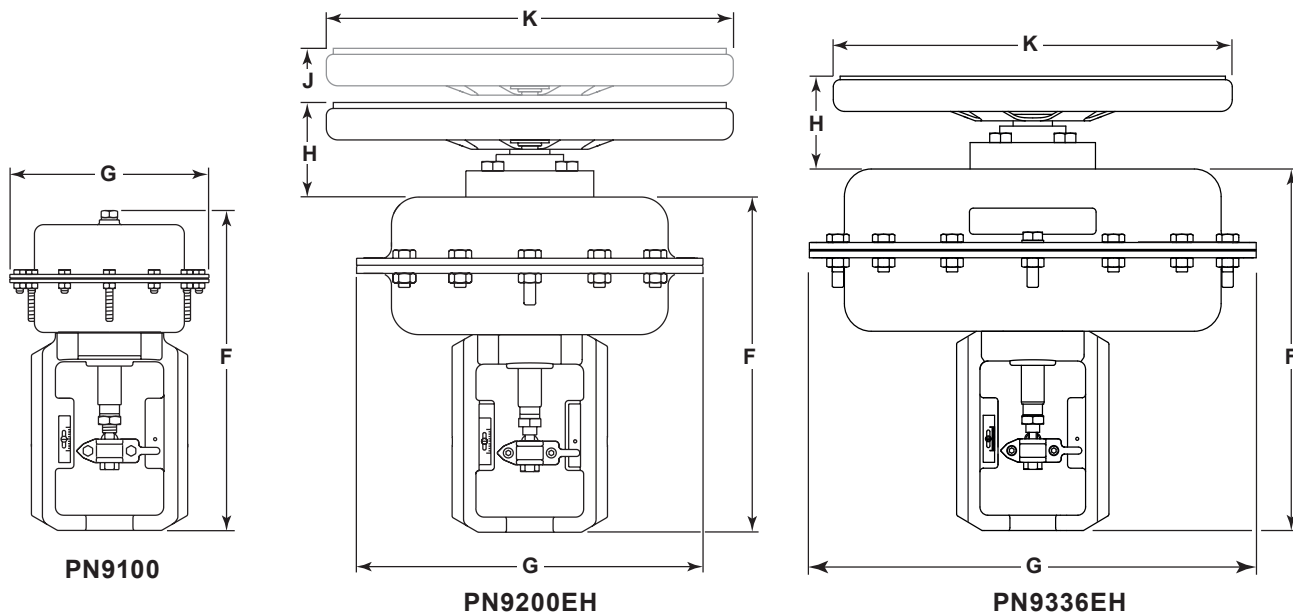
Materials
(continued)



No.	Part		Material	
19	Pan head screw	PN9000	Carbon steel (Zn. plated)	
20	Nyloc nut	PN9000S	Stainless steel	A2 - 70
21	Bolt		Carbon steel (Zn. plated)	Gr. 8.8
22	Hex. head screw (short)	PN9000	Carbon steel (Zn. plated)	Gr. 8.8
23	Hex. head screw (long)			
24	Nut	PN9000S	Carbon steel (Zn. and AL. plated)	Gr. 8.8
25	Lock-nut		Stainless steel	A2 - 70
26	Socket head screw	PN9000	Carbon steel (Zn. plated)	Gr. 8.8
27	Nut	PN9000S	Stainless steel	A2 - 70
28	Washer		Carbon steel (Zn. plated)	
29	Hex. head screw		Carbon steel (Zn. plated)	Gr. 8.8 (Gr. 10.9 for PN9300R)
30	Gasket		Reinforced Graphite	
31	Lower diaphragm housing		Carbon steel (Zn. plated)	
32	Thrust plate	PN9300R only	Carbon steel	



Dimensions/weights (approximate) in mm and kg



Actuator range	F	G	H	J (Handwheel lifted)	K	Weight	
						Actuator	With handwheel
PN9100E and variants	275	170	55	75	225	6	+ 5.86
PN9100R and variants	275	170	120	140	225	6	+ 2.50
PN9200E and variants	300	300	65	85	350	17	+ 7.20
PN9200R and variants	300	300	132	152	350	17	+ 3.77
PN9230E and variants	335	300	65	95	350	17	+ 3.77
PN9230R and variants	335	300	122	152	350	17	+ 3.77
PN9320E and variants	325	390	65	85	350	27	+ 7.20
PN9320R and variants	325	390	132	152	350	27	+ 3.77
PN9330E and variants	335	390	65	95	350	27	+ 7.20
PN9330R and variants	335	390	122	152	350	27	+ 3.70
PN9336E and variants	335	390	65	95	350	27	+ 7.20
PN9336R and variants	335	390	122	152	350	27	+ 3.77
PN9337E and variants	335	390	410	410	350	27	

How to use the sizing data on pages 6 to 25:

The following tables supply guidance as to the sizing of the PN9000 when it is used on a Spira-trol™ control valve.

Two conditions are illustrated in tabular form:

Class IV shut-off - Providing shut-off of the valve to the requirements of BS 5793-4 (IEC 60534-4) class IV.

Class VI shut-off - Providing shut-off of the valve to the requirements of BS 5793-4 (IEC 60534-4) class VI.

To select a suitable actuator:

- Identify the column containing the valve and gland material selected.
- Identify the maximum operating pressure condition, including any transient pressures likely to occur, within the selected column.
- Read back to the left hand side of the table to identify the suitable actuator for the application.

For conditions outside of those illustrated please contact Spirax Sarco.

- Maximum differential pressures for Class IV shut-off
 - Metal Seated (T & S)
 - Spira-trol
 - DN15 - 25 (½" - 1")
 - Flow under

Actuator		Standard Cage (S)																							
		DN15-25 (½"-1")																							
		Cage Type		0.01-0.07 (0.012-0.081)		0.1-0.2 (0.12-0.23)		0.5 (0.58)		1.0 (1.2)		1.6 (1.8)		2.5 (2.9)											
Spring range bar	Kvs (Cv)	Maximum pressure (bar g)	N-P		H		D		N-P		H		D		N-P		H		D						
			PN9120E	0.2-1.0	6.0	103.4	50.2																		
PN9120E	0.4-1.2	6.0	103.4	103.4	25.0	96.6	25.0	67.6	25.0	26.5	0.6	12.2													
PN9126E	1.0-2.0	6.0	103.4	103.4	103.4	103.4	25.0	103.4	103.4	103.4	25.0	85.5	47.3	25.0											
PN9123E	2.0-4.0	6.0	103.4	103.4	103.4	103.4	25.0	103.4	103.4	103.4	25.0	103.4	103.4	25.0											
PN9220E	0.2-1.0	6.0	103.4	103.4	103.4	103.4	25.0	103.4	103.4	66.1	25.0	49.8	11.7	25.0											
PN9220E	0.4-1.2	6.0	103.4	103.4	103.4	103.4	25.0	103.4	103.4	103.4	25.0	103.4	98.2	25.0											
PN9226E	1.0-2.0	6.0	103.4	103.4	103.4	103.4	25.0	103.4	103.4	103.4	25.0	103.4	103.4	25.0											
PN9223E	2.0-4.0	6.0	103.4	103.4	103.4	103.4	25.0	103.4	103.4	103.4	25.0	103.4	103.4	25.0											
PN9320E	0.2-1.0	4.0	103.4	103.4	103.4	103.4	25.0	103.4	103.4	103.4	25.0	103.4	95.7	25.0											
PN9320E	0.4-1.2	4.0	103.4	103.4	103.4	103.4	25.0	103.4	103.4	103.4	25.0	103.4	103.4	25.0											

Actuator		Standard Cage (S)																							
		DN15-25 (½"-1")																							
		Cage Type		4.0 (4.6)		4.9-6.3 (5.7-7.3)		7.2 (8.3)		10 (12)		11 (12.7)		2.5-4-6.3-10 (2.9-4.6-7.3-12)											
Spring range bar	Kvs (Cv)	Maximum pressure (bar g)	N-P		H		D		N-P		H		D		N-P		H		D						
			PN9120E	0.2-1.0	6.0																				
PN9120E	0.4-1.2	6.0	5.1																						
PN9126E	1.0-2.0	6.0	56.0	29.5	25.0	27.8	12.9	21.3	20.5	8.7	15.4	15.4	5.8	11.2	3.7	8.0	11.4	3.7	8.0	11.4	3.7	8.0	3.7	8.0	
PN9123E	2.0-4.0	6.0	103.4	103.4	25.0	75.5	60.6	25.0	58.2	46.4	25.0	45.9	36.4	25.0	28.5	25.0	36.2	28.5	25.0	36.2	28.5	25.0	28.5	25.0	
PN9220E	0.2-1.0	6.0	31.3	4.8	19.8	13.8	7.4	7.4	9.5	4.4	6.5	6.5	2.3	2.3	0.8	0.8	4.2	4.2	0.8	4.2	4.2	0.8	0.8	0.8	
PN9220E	0.4-1.2	6.0	91.4	64.9	25.0	47.7	32.7	25.0	36.2	24.4	25.0	28.1	18.6	24.0	14.0	18.4	21.7	14.0	18.4	21.7	14.0	18.4	14.0	18.4	
PN9226E	1.0-2.0	6.0	103.4	103.4	25.0	103.4	103.4	25.0	103.4	103.4	25.0	93.0	83.5	25.0	66.7	25.0	74.4	66.7	25.0	74.4	66.7	25.0	66.7	25.0	
PN9223E	2.0-4.0	6.0	103.4	103.4	25.0	103.4	103.4	25.0	103.4	103.4	25.0	103.4	103.4	25.0	103.4	25.0	103.4	103.4	25.0	103.4	103.4	25.0	103.4	25.0	
PN9320E	0.2-1.0	4.0	89.6	63.1	25.0	46.7	31.8	25.0	35.4	23.6	25.0	27.5	17.9	23.3	13.5	17.9	21.2	13.5	17.9	21.2	13.5	17.9	13.5	17.9	
PN9320E	0.4-1.2	4.0	103.4	103.4	25.0	103.4	98.4	25.0	88.1	76.3	25.0	70.1	60.6	25.0	48.1	25.0	55.8	48.1	25.0	55.8	48.1	25.0	48.1	25.0	

PN9000R
- Maximum differential pressures for Class IV shut-off
- Metal Seated (T & S)
- Spira-trol
- DN15 - 25 (½" - 1")
- Flow under

Cage Type		Standard Cage (S)																	
		DN15-25 (½"-1")																	
		0.01-0.07 (0.012-0.081)			0.1-0.2 (0.12-0.23)			0.5 (0.58)			1.0 (1.2)			1.6 (1.8)			2.5 (2.9)		
Actuator	Spring range bar	N-P	H	D	N-P	H	D	N-P	H	D	N-P	H	D	N-P	H	D	N-P	H	D
		Maximum pressure (bar g)	Kvs (Cv)	Valve size															
PN9120R	0.2-1.0	103.4	103.4	25.0	103.4	103.4	25.0	103.4	103.4	25.0	103.4	103.4	25.0	103.4	103.4	25.0	103.4	103.4	25.0
PN9120R	0.4-1.2	103.4	103.4	25.0	103.4	103.4	25.0	103.4	103.4	25.0	103.4	103.4	25.0	103.4	103.4	25.0	103.4	103.4	25.0
PN9126R	1.0-2.0	103.4	103.4	25.0	103.4	103.4	25.0	103.4	103.4	25.0	103.4	103.4	25.0	103.4	103.4	25.0	103.4	103.4	25.0
PN9123R	2.0-4.0	103.4	103.4	25.0	103.4	103.4	25.0	103.4	103.4	25.0	103.4	103.4	25.0	103.4	103.4	25.0	103.4	103.4	25.0
PN9220R	0.2-1.0	103.4	103.4	25.0	103.4	103.4	25.0	103.4	103.4	25.0	103.4	103.4	25.0	103.4	103.4	25.0	103.4	103.4	25.0
PN9220R	0.4-1.2	103.4	103.4	25.0	103.4	103.4	25.0	103.4	103.4	25.0	103.4	103.4	25.0	103.4	103.4	25.0	103.4	103.4	25.0
PN9226R	1.0-2.0	103.4	103.4	25.0	103.4	103.4	25.0	103.4	103.4	25.0	103.4	103.4	25.0	103.4	103.4	25.0	103.4	103.4	25.0
PN9223R	2.0-4.0	103.4	103.4	25.0	103.4	103.4	25.0	103.4	103.4	25.0	103.4	103.4	25.0	103.4	103.4	25.0	103.4	103.4	25.0
PN9320R	0.2-1.0	103.4	103.4	25.0	103.4	103.4	25.0	103.4	103.4	25.0	103.4	103.4	25.0	103.4	103.4	25.0	103.4	103.4	25.0
PN9320R	0.4-1.2	103.4	103.4	25.0	103.4	103.4	25.0	103.4	103.4	25.0	103.4	103.4	25.0	103.4	103.4	25.0	103.4	103.4	25.0

Cage Type		Standard Cage (S)																	
		DN15-25 (½"-1")																	
		4.0 (4.6)			4.9-6.3 (5.7-7.3)			7.2 (8.3)			10 (12)			11 (12.7)			2.5-4-6.3-10 (2.9-4.6-7.3-12)		
Actuator	Spring range bar	N-P	H	D	N-P	H	D	N-P	H	D	N-P	H	D	N-P	H	D	N-P	H	D
		Maximum pressure (bar g)	Kvs (Cv)	Valve size															
PN9120R	0.2-1.0	103.4	103.4	25.0	103.4	103.4	25.0	103.4	103.4	25.0	103.4	103.4	25.0	103.4	103.4	25.0	103.4	103.4	25.0
PN9120R	0.4-1.2	103.4	103.4	25.0	103.4	103.4	25.0	103.4	103.4	25.0	103.4	103.4	25.0	103.4	103.4	25.0	103.4	103.4	25.0
PN9126R	1.0-2.0	103.4	103.4	25.0	103.4	103.4	25.0	103.4	103.4	25.0	103.4	103.4	25.0	103.4	103.4	25.0	103.4	103.4	25.0
PN9123R	2.0-4.0	103.4	103.4	25.0	103.4	103.4	25.0	103.4	103.4	25.0	103.4	103.4	25.0	103.4	103.4	25.0	103.4	103.4	25.0
PN9220R	0.2-1.0	103.4	103.4	25.0	103.4	103.4	25.0	103.4	103.4	25.0	103.4	103.4	25.0	103.4	103.4	25.0	103.4	103.4	25.0
PN9220R	0.4-1.2	103.4	103.4	25.0	103.4	103.4	25.0	103.4	103.4	25.0	103.4	103.4	25.0	103.4	103.4	25.0	103.4	103.4	25.0
PN9226R	1.0-2.0	103.4	103.4	25.0	103.4	103.4	25.0	103.4	103.4	25.0	103.4	103.4	25.0	103.4	103.4	25.0	103.4	103.4	25.0
PN9223R	2.0-4.0	103.4	103.4	25.0	103.4	103.4	25.0	103.4	103.4	25.0	103.4	103.4	25.0	103.4	103.4	25.0	103.4	103.4	25.0
PN9320R	0.2-1.0	103.4	103.4	25.0	103.4	103.4	25.0	103.4	103.4	25.0	103.4	103.4	25.0	103.4	103.4	25.0	103.4	103.4	25.0
PN9320R	0.4-1.2	103.4	103.4	25.0	103.4	103.4	25.0	103.4	103.4	25.0	103.4	103.4	25.0	103.4	103.4	25.0	103.4	103.4	25.0

- Maximum differential pressures for Class IV shut-off
- Metal Seated (T & S)
- Spira-trol
- DN32 - 50 (1 1/4" - 2")
- Flow under

Actuator		Standard Cage (S)																							
		DN32-50 (1 1/4"-2")																							
		Cage Type		4.0 (4.6)		6.3 (7.3)		10 (12)		16 (18)		17.5 - 18 (20.2-21)		25 (29)											
Spring range bar	Valve size	N-P	H	D	N-P	H	D	N-P	H	D	N-P	H	D	N-P	H	D	N-P	H	D	N-P	H	D			
PN9120E	0.4-1.2	6.0	7.9																						
PN9126E	1.0-2.0	6.0	57.2	31.5	25.0	30.3	15.4	23.8	17.4	7.8	13.2	10.1	9.5	3.4	6.9	3.6	0.3	2.2							
PN9123E	2.0-4.0	6.0	103.4	103.4	25.0	78.0	63.1	25.0	47.9	38.4	25.0	30.9	29.1	23.0	25.0	14.2	10.9	12.7							
PN9220E	0.2-1.0	6.0	33.2	7.6	22.1	16.3	1.4	9.9	8.5		4.3	2.7	3.8		1.2	0.5									
PN9220E	0.4-1.2	6.0	91.4	65.7	25.0	50.2	35.2	25.0	30.1	20.6	25.0	16.2	17.7	11.6	15.0	8.0	4.7	6.6							
PN9226E	1.0-2.0	6.0	103.4	103.4	25.0	103.4	103.4	25.0	95.0	85.5	25.0	69.8	59.2	53.1	25.0	30.5	27.2	25.0							
PN9223E	2.0-4.0	6.0	103.4	103.4	25.0	103.4	103.4	25.0	103.4	103.4	25.0	103.4	103.4	103.4	25.0	67.9	64.6	25.0							
PN9320E	0.2-1.0	4.0	89.7	64.0	25.0	49.2	34.3	25.0	29.5	19.9	25.0	15.6	17.3	11.1	14.6	7.8	4.5	6.3							
PN9320E	0.4-1.2	4.0	103.4	103.4	25.0	103.4	100.9	25.0	72.1	62.6	25.0	50.9	44.6	38.4	25.0	22.5	19.2	21.7							

Actuator		Standard Cage (P1)																							
		Low Noise Cage (P1)																							
		Cage Type		31-36 (36-42)		46-50 (53-58)		All Kvs																	
Spring range bar	Valve size	N-P	H	D	N-P	H	D	N-P	H	D	N-P	H	D	N-P	H	D	N-P	H	D	N-P	H	D			
PN9126E	1.0-2.0	6.0	2.3	1.2	1.0																				
PN9123E	2.0-4.0	6.0	10.8	8.1	9.6	7.0	5.1	6.2	7.0	5.1	6.2	7.0	5.1	6.2	7.0	5.1	6.2	7.0	5.1	6.2	7.0	5.1	6.2		
PN9220E	0.4-1.2	6.0	5.8	3.2	4.7	3.5	1.6	2.7	3.5	1.6	2.7	3.5	1.6	2.7	3.5	1.6	2.7	3.5	1.6	2.7	3.5	1.6	2.7		
PN9226E	1.0-2.0	6.0	23.8	21.2	22.7	16.3	14.4	15.5	16.3	14.4	15.5	16.3	14.4	15.5	16.3	14.4	15.5	16.3	14.4	15.5	16.3	14.4	15.5		
PN9223E	2.0-4.0	6.0	53.8	51.2	25.0	37.7	35.8	16.0	37.7	35.8	16.0	37.7	35.8	16.0	37.7	35.8	16.0	37.7	35.8	16.0	37.7	35.8	16.0		
PN9320E	0.2-1.0	4.0	5.7	3.0	4.5	3.4	1.5	2.5	3.4	1.5	2.5	3.4	1.5	2.5	3.4	1.5	2.5	3.4	1.5	2.5	3.4	1.5	2.5		
PN9320E	0.4-1.2	4.0	17.5	14.8	16.3	11.8	9.9	11.0	11.8	9.9	11.0	11.8	9.9	11.0	11.8	9.9	11.0	11.8	9.9	11.0	11.8	9.9	11.0		

**- Maximum differential pressures for Class IV shut-off
- Metal Seated (T & S)
- Spira-trol
- DN32 - 50 (1 1/4" - 2")
- Flow under**

Actuator	Spring range bar	Cage Type	Standard Cage (S)																							
			DN32-50 (1 1/4"-2")																							
			4.0 (4.6)				6.3 (7.3)				10 (12)				16 (18)				17.5 - 18 (20.2-21)				25 (29)			
		N-P	H	D	N-P	H	D	N-P	H	D	N-P	H	D	N-P	H	D	N-P	H	D	N-P	H	D	N-P	H	D	
PN9120R	0.2-1.0	6.0	103.4	103.4	25.0	103.4	103.4	25.0	103.4	103.4	25.0	103.4	103.4	25.0	103.4	103.4	25.0	103.4	103.4	25.0	103.4	103.4	25.0	103.4	103.4	25.0
PN9120R	0.4-1.2	6.0	103.4	103.4	25.0	103.4	103.4	25.0	103.4	103.4	25.0	103.4	103.4	25.0	103.4	103.4	25.0	103.4	103.4	25.0	103.4	103.4	25.0	103.4	103.4	25.0
PN9126R	1.0-2.0	6.0	103.4	103.4	25.0	103.4	103.4	25.0	103.4	103.4	25.0	103.4	103.4	25.0	103.4	103.4	25.0	103.4	103.4	25.0	103.4	103.4	25.0	103.4	103.4	25.0
PN9123R	2.0-4.0	6.0	103.4	103.4	25.0	103.4	103.4	25.0	103.4	103.4	25.0	103.4	103.4	25.0	103.4	103.4	25.0	103.4	103.4	25.0	103.4	103.4	25.0	103.4	103.4	25.0
PN9220R	0.2-1.0	6.0	103.4	103.4	25.0	103.4	103.4	25.0	103.4	103.4	25.0	103.4	103.4	25.0	103.4	103.4	25.0	103.4	103.4	25.0	103.4	103.4	25.0	103.4	103.4	25.0
PN9220R	0.4-1.2	6.0	103.4	103.4	25.0	103.4	103.4	25.0	103.4	103.4	25.0	103.4	103.4	25.0	103.4	103.4	25.0	103.4	103.4	25.0	103.4	103.4	25.0	103.4	103.4	25.0
PN9226R	1.0-2.0	6.0	103.4	103.4	25.0	103.4	103.4	25.0	103.4	103.4	25.0	103.4	103.4	25.0	103.4	103.4	25.0	103.4	103.4	25.0	103.4	103.4	25.0	103.4	103.4	25.0
PN9223R	2.0-4.0	6.0	103.4	103.4	25.0	103.4	103.4	25.0	103.4	103.4	25.0	103.4	103.4	25.0	103.4	103.4	25.0	103.4	103.4	25.0	103.4	103.4	25.0	103.4	103.4	25.0
PN9320R	0.2-1.0	2.7	103.4	103.4	25.0	103.4	103.4	25.0	103.4	103.4	25.0	103.4	103.4	25.0	103.4	103.4	25.0	103.4	103.4	25.0	103.4	103.4	25.0	103.4	103.4	25.0
PN9320R	0.4-1.2	2.7	103.4	103.4	25.0	103.4	103.4	25.0	103.4	103.4	25.0	103.4	103.4	25.0	103.4	103.4	25.0	103.4	103.4	25.0	103.4	103.4	25.0	103.4	103.4	25.0

Actuator	Spring range bar	Cage Type	Standard Cage (S)												Low noise cage (P1)					
			DN32-50 (1 1/4"-2")																	
			31-36 (36-42)				46-50 (53-58)				All Kvs									
		N-P	H	D	N-P	H	D	N-P	H	D	N-P	H	D	N-P	H	D	N-P	H	D	
PN9120R	0.2-1.0	6.0	36.2	33.5	25.0	25.1	23.2	24.3	25.1	23.2	24.3	25.1	23.2	24.3	25.1	23.2	24.3	25.1	23.2	24.3
PN9120R	0.4-1.2	6.0	34.5	31.8	25.0	23.9	22.0	23.1	23.9	22.0	23.1	23.9	22.0	23.1	23.9	22.0	23.1	23.9	22.0	23.1
PN9126R	1.0-2.0	6.0	27.7	25.1	25.0	19.1	17.2	18.3	19.1	17.2	18.3	19.1	17.2	18.3	19.1	17.2	18.3	19.1	17.2	18.3
PN9123R	2.0-4.0	6.0	10.8	8.1	9.6	7.0	5.1	6.2	7.0	5.1	6.2	7.0	5.1	6.2	7.0	5.1	6.2	7.0	5.1	6.2
PN9220R	0.2-1.0	6.0	103.4	103.4	25.0	101.8	99.9	25.0	101.8	99.9	25.0	101.8	99.9	25.0	101.8	99.9	25.0	101.8	99.9	25.0
PN9220R	0.4-1.2	6.0	103.4	103.4	25.0	97.5	95.7	25.0	97.5	95.7	25.0	97.5	95.7	25.0	97.5	95.7	25.0	97.5	95.7	25.0
PN9226R	1.0-2.0	6.0	103.4	103.4	25.0	80.4	78.6	25.0	80.4	78.6	25.0	80.4	78.6	25.0	80.4	78.6	25.0	80.4	78.6	25.0
PN9223R	2.0-4.0	6.0	53.8	51.2	25.0	37.7	35.8	25.0	37.7	35.8	25.0	37.7	35.8	25.0	37.7	35.8	25.0	37.7	35.8	25.0
PN9320R	0.2-1.0	2.7	94.3	91.6	25.0	66.5	64.7	25.0	66.5	64.7	25.0	66.5	64.7	25.0	66.5	64.7	25.0	66.5	64.7	25.0
PN9320R	0.4-1.2	2.7	82.5	79.8	25.0	58.1	56.2	25.0	58.1	56.2	25.0	58.1	56.2	25.0	58.1	56.2	25.0	58.1	56.2	25.0

- Maximum differential pressures for Class IV shut-off
- Metal Seated (T & S)
- Spira-trol
- DN65 - 100 (2½" - 4")
- Flow under

Actuator	Spring range bar	Standard Cage (S)																								
		Cage Type	DN65-100 (2½"-4")												100-117 (116-135)						DN100 (4")					
			Valve size	16 (18)			25 (29)			36 (42)			63-73-90 (73-85-104)			100-117 (116-135)			160-180 (185-208)							
Kvs (Cv)	P	H	D	N-P	H	D	P	H	D	P	H	D	P	H	D	P	H	D	P	H	D	P	H	D		
PN9230E	0.2-1.0	6.0	2.8	1.2																						
PN9230E	0.4-1.2	6.0	16.6	6.3	15.0	5.4	0.9	4.7				3.2	2.7	0.9												
PN9236E	1.0-2.0	6.0	58.2	47.8	25.0	23.4	18.9	22.7				16.0	12.8	8.2	6.4	7.9	4.7	3.5	4.5	2.5	1.8	2.4				
PN9233E	2.0-4.0	6.0	103.4	103.4	16.0	53.4	48.9	25.0				37.4	34.2	20.2	18.4	19.9	12.4	11.2	6.5	7.3	6.6	7.2				
PN9330E	0.2-1.0	4.0	16.2	5.9	14.6	5.2	0.7	4.5				3.0	2.5	0.9												
PN9330E	0.4-1.2	4.0	43.5	33.2	25.0	17.0	12.5	16.3				11.5	8.3	5.6	3.8	5.3	3.1	1.9	2.9	1.5	0.7	1.4				
PN9336E	1.0-2.0	4.0	103.4	103.4	25.0	52.5	48.0	25.0				36.7	33.5	19.8	18.0	19.5	12.2	11.0	12.2	7.1	6.4	7.0				
PN9337E	2.5-3.5	4.0	103.4	103.4	25.0	103.4	103.4	25.0				99.9	96.7	55.4	53.6	25.0	34.9	33.8	25.0	21.3	20.6	21.2				

Actuator	Spring range bar	Low Noise Cage (P1)															
		Cage Type	DN65-100 (2½"-4")						DN100 (4")								
			Valve size	All Kvs			All Kvs			All Kvs			All Kvs				
Kvs (Cv)	Maximum pressure (bar g)	P	H	D	P	H	D	P	H	D	P	H	D	P	H	D	
PN9230E	0.2-1.0	6.0															
PN9230E	0.4-1.2	6.0															
PN9236E	1.0-2.0	6.0	4.7	3.5	4.5	2.5	1.8	2.4									
PN9233E	2.0-4.0	6.0	12.4	11.2	12.2	7.3	6.6	7.2									
PN9330E	0.2-1.0	4.0															
PN9330E	0.4-1.2	4.0	3.1	1.9	2.9	1.5	0.7	1.4									
PN9336E	1.0-2.0	4.0	12.2	11.0	12.0	7.1	6.4	7									
PN9337E	2.5-3.5	4.0	34.9	33.8	25.0	21.3	20.6	21.2									

- Maximum differential pressures for Class IV shut-off
- Metal Seated (T & S)
- Spira-trol
- DN65 - 100 (2½" - 4")
- Flow under

Actuator		Standard Cage (S)																					
		DN65-100 (2½"-4")																					
		16 (18)				25 (29)				36 (42)				63-73-90 (73-85-104)				100-117 (116-135)				160-180 (185-208)	
Spring range bar	Cage Type	Valve size		Kvs (Cv)	Maximum pressure (bar g)	P	H	D	N-P	H	D	P	H	D	P	H	D	P	H	D	P	H	D
		P	H																				
0.2-1.0	PN9230R	6.0	103.4	103.4	25.0	103.4	103.4	25.0	103.4	103.4	25.0	101.5	98.3	25.0	56.3	54.5	25.0	35.5	34.3	25.0	21.7	20.9	21.6
0.4-1.2	PN9230R	6.0	103.4	103.4	25.0	103.4	103.4	25.0	103.4	103.4	25.0	97.2	94.0	25.0	53.9	52.1	25.0	33.9	32.8	25.0	20.7	20.0	20.6
1.0-2.0	PN9236R	6.0	103.4	103.4	25.0	103.4	103.4	25.0	103.4	103.4	25.0	80.1	76.9	25.0	44.2	42.4	25.0	27.8	26.6	25.0	16.9	16.2	16.8
2.0-4.0	PN9233R	6.0	103.4	103.4	25.0	103.4	103.4	25.0	53.4	48.9	25.0	37.4	34.2	25.0	20.2	18.4	19.9	12.4	11.2	12.2	7.3	6.6	7.2
0.2-1.0	PN9330R	2.7	103.4	103.4	25.0	103.4	103.4	25.0	93.8	89.3	25.0	66.2	63.0	25.0	36.4	34.6	25.0	22.8	21.6	22.6	13.8	13.0	13.6
0.4-1.2	PN9330R	2.7	103.4	103.4	25.0	103.4	103.4	25.0	82.0	77.5	25.0	57.8	54.6	25.0	31.7	29.8	25.0	19.7	18.6	19.6	11.9	11.1	11.7
1.0-2.0	PN9336R	2.7	84.5	74.1	25.0	34.8	30.3	25.0	24.1	20.9	23.6	127	10.9	12.4	7.4	4.3	3.6	4.2					

Actuator		Low Noise Cage (P1)									
		DN65-80 (2½"-3")									
		All Kvs					All Kvs				
Spring range bar	Cage Type	Valve size		Kvs (Cv)	Maximum pressure (bar g)	P	H	D	P	H	D
		P	H								
0.2-1.0	PN9230R	6.0	35.5	34.3	25.0	21.7	20.9	21.6	21.6	20.9	21.6
0.4-1.2	PN9230R	6.0	33.9	32.8	25.0	20.7	20.0	20.6	20.6	20.0	20.6
1.0-2.0	PN9236R	6.0	27.8	26.6	25.0	16.9	16.2	16.8	16.8	16.2	16.8
2.0-4.0	PN9233R	6.0	12.4	11.2	12.2	7.3	6.6	7.2	7.2	6.6	7.2
0.2-1.0	PN9330R	2.7	22.8	21.6	22.6	13.8	13.0	13.6	13.6	13.0	13.6
0.4-1.2	PN9330R	2.7	19.7	18.6	19.6	11.9	11.1	11.7	11.7	11.1	11.7
1.0-2.0	PN9336R	2.7	7.6	6.5	7.4	4.3	3.6	4.2	4.2	3.6	4.2

- Maximum differential pressures for Class VI shut-off
- Resilient Seated (P & Steam-Tight)
- Spira-trol
- DN15 - 25 (½" - 1")
- Flow under

		Standard Cage (S)																	
		DN15-25 (½"-1")																	
Cage Type	Valve size	0.01-0.07 (0.012-0.081)			0.1-0.2 (0.12-0.23)			0.5 (0.58)			1.0 (1.2)			1.6 (1.8)			2.5 (2.9)		
		N-P	H	D	N-P	H	D	N-P	H	D	N-P	H	D	N-P	H	D	N-P	H	D
Actuator	Spring range bar																		
PN9126E	1.0-2.0	19.0	19.0	19.0	19.0	19.0	19.0	19.0	19.0	19.0	19.0	19.0	19.0	19.0	19.0	19.0	19.0	19.0	19.0
PN9123E	1.0-2.0	19.0	19.0	19.0	19.0	19.0	19.0	19.0	19.0	19.0	19.0	19.0	19.0	19.0	19.0	19.0	19.0	19.0	19.0
PN9220E	0.2-1.0	19.0	19.0	19.0	19.0	19.0	19.0	19.0	19.0	19.0	19.0	19.0	19.0	19.0	19.0	19.0	19.0	19.0	19.0
PN9220E	0.4-1.2	19.0	19.0	19.0	19.0	19.0	19.0	19.0	19.0	19.0	19.0	19.0	19.0	19.0	19.0	19.0	19.0	19.0	19.0
PN9320E	0.2-1.0	19.0	19.0	19.0	19.0	19.0	19.0	19.0	19.0	19.0	19.0	19.0	19.0	19.0	19.0	19.0	19.0	19.0	19.0

		Standard Cage (S)												Low noise cage (P1-A1)						
		DN15-25 (½"-1")																		
Cage Type	Valve size	4.0 (4.6)			4.9-6.3 (5.7-7.3)			7.2 (8.3)			10 (12)			11 (12.7)			2.5-4-6-3-10 (2.9-4.6-7.3-12)			
		N-P	H	D	N-P	H	D	N-P	H	D	N-P	H	D	N-P	H	D	N-P	H	D	
Actuator	Spring range bar																			
PN9126E	1.0-2.0	19.0	19.0	19.0	19.0	19.0	19.0	17.6	19.0	19.0	13.8	19.0	15.3	10.9	18.6	10.9	15.3	18.6	10.9	15.3
PN9123E	1.0-2.0	19.0	19.0	19.0	19.0	19.0	19.0	19.0	19.0	19.0	19.0	19.0	19.0	19.0	19.0	19.0	19.0	19.0	19.0	19.0
PN9220E	0.2-1.0	19.0	18.1	19.0	19.0	8.9	17.4	6.6	13.2	14.5	4.9	10.3	8.0	11.4	3.6	8.0	11.4	3.6	8.0	8.0
PN9220E	0.4-1.2	19.0	19.0	19.0	19.0	19.0	19.0	19.0	19.0	19.0	19.0	19.0	19.0	19.0	19.0	19.0	19.0	19.0	19.0	19.0
PN9320E	0.2-1.0	19.0	19.0	19.0	19.0	19.0	19.0	19.0	19.0	19.0	19.0	19.0	19.0	19.0	19.0	19.0	19.0	19.0	19.0	19.0

- Maximum differential pressures for Class VI shut-off
- Resilient Seated (P & Steam-Tight)
- Spira-trol
- DN32 - 50 (1 1/4" - 2")
- Flow under

Cage Type		Standard Cage (S)																							
		DN32-50 (1 1/4"-2")																							
		4.0 (4.6)			6.3 (7.3)			10 (12)			16 (18)			17.5 - 18 (20.2-21)			25 (29)								
Actuator	Spring range bar	N-P		H		D		N-P		H		D		N-P		H		D		N-P		H		D	
		Kvs (Cv)	Maximum pressure (bar g)	Valve size	Valve size	Valve size	Valve size	Valve size	Valve size	Valve size	Valve size	Valve size	Valve size	Valve size	Valve size	Valve size	Valve size	Valve size	Valve size	Valve size	Valve size	Valve size	Valve size	Valve size	Valve size
PN9126E	1.0-2.0	19.0	19.0	19.0	19.0	19.0	19.0	19.0	19.0	19.0	19.0	19.0	19.0	19.0	19.0	19.0	19.0	19.0	19.0	19.0	19.0	19.0	19.0	19.0	19.0
PN9123E	2.0-4.0	19.0	19.0	19.0	19.0	19.0	19.0	19.0	19.0	19.0	19.0	19.0	19.0	19.0	19.0	19.0	19.0	19.0	19.0	19.0	19.0	19.0	19.0	19.0	19.0
PN9220E	0.2-1.0	19.0	17.4	19.0	8.9	19.0	8.9	19.0	14.5	4.9	10.3	11.6	3.7	8.2	8.6	2.5	6.0	4.0	0.7	2.6	11.5	8.2	10.0	11.3	8.0
PN9220E	0.4-1.2	19.0	19.0	19.0	19.0	19.0	19.0	19.0	19.0	19.0	19.0	19.0	19.0	19.0	19.0	19.0	19.0	19.0	19.0	19.0	19.0	19.0	19.0	19.0	19.0
PN9226E	1.0-2.0	19.0	19.0	19.0	19.0	19.0	19.0	19.0	19.0	19.0	19.0	19.0	19.0	19.0	19.0	19.0	19.0	19.0	19.0	19.0	19.0	19.0	19.0	19.0	19.0
PN9320E	0.2-1.0	19.0	19.0	19.0	19.0	19.0	19.0	19.0	19.0	19.0	19.0	19.0	19.0	19.0	19.0	19.0	19.0	19.0	19.0	19.0	19.0	19.0	19.0	19.0	19.0
PN9320E	0.4-1.2	19.0	19.0	19.0	19.0	19.0	19.0	19.0	19.0	19.0	19.0	19.0	19.0	19.0	19.0	19.0	19.0	19.0	19.0	19.0	19.0	19.0	19.0	19.0	19.0

Cage Type		Standard Cage (S)												Low Noise Cage (P1-A1-P2-A2)					
		DN32-50 (1 1/4"-2")												All Kvs					
		31-36 (36-42)			46-50 (53-58)			All Kvs			All Kvs								
Actuator	Spring range bar	N-P		H		D		N-P		H		D		N-P		H		D	
		Kvs (Cv)	Maximum pressure (bar g)	Valve size	Valve size	Valve size	Valve size	Valve size	Valve size	Valve size	Valve size	Valve size	Valve size	Valve size	Valve size	Valve size	Valve size	Valve size	Valve size
PN9126E	1.0-2.0	5.5	2.8	4.3	3.6	1.7	2.8	3.6	3.6	1.7	2.8	3.6	3.6	1.7	2.8	3.6	3.6	1.7	2.8
PN9123E	2.0-4.0	13.9	11.3	12.8	9.7	7.8	8.8	9.7	9.7	7.8	8.8	9.7	9.7	7.8	8.8	9.7	9.7	7.8	8.8
PN9220E	0.2-1.0	3.0	0.4	1.9	1.9	1.1	1.1	1.9	1.9	1.1	1.1	1.9	1.9	1.1	1.1	1.9	1.9	1.1	1.1
PN9220E	0.4-1.2	9.0	6.4	7.9	6.1	4.3	5.3	6.1	6.1	4.3	5.3	6.1	6.1	4.3	5.3	6.1	6.1	4.3	5.3
PN9226E	1.0-2.0	19.0	19.0	19.0	19.0	17.1	18.2	19.0	19.0	17.1	18.2	19.0	19.0	17.1	18.2	19.0	19.0	17.1	18.2
PN9320E	0.2-1.0	8.8	6.2	7.7	6.0	4.1	5.2	6.0	6.0	4.1	5.2	6.0	6.0	4.1	5.2	6.0	6.0	4.1	5.2
PN9320E	0.4-1.2	8.8	6.2	7.7	6.0	4.1	5.2	6.0	6.0	4.1	5.2	6.0	6.0	4.1	5.2	6.0	6.0	4.1	5.2

- Maximum differential pressures for Class VI shut-off
- Resilient Seated (P & Steam-Tight)
- Spira-trol
- DN65 - 100 (2½" - 4")
- Flow under

Cage Type		Standard Cage (S)																	
		DN65-100 (2½"-4")																	
Actuator	Spring range bar	16 (18)			25 (29)			36 (42)			63-73-90 (73-85-104)			100-117 (116-135)			160-180 (185-208)		
		N-P	H	D	N-P	H	D	N-P	H	D	N-P	H	D	N-P	H	D	N-P	H	D
PN9230E	0.2-1.0	7.6	6.3	1.9	2.6	1.9	1.6	1.1	0.5	0.3	1.1	0.5	0.3	1.1	0.5	0.3	1.1	0.5	0.3
PN9230E	0.4-1.2	19.0	11.1	19.0	8.6	4.1	7.9	5.8	2.6	1.1	2.7	1.7	0.5	1.5	0.9	0.8	0.8	0.8	0.8
PN9236E	1.0-2.0			19.0	19.0	19.0	18.7	15.5	18.2	10.2	8.4	9.9	6.3	5.1	3.7	3.0	3.6	3.6	3.6
PN9233E	2.0-4.0										19.0	19.0	14.0	12.8	8.5	7.8	8.4	8.4	8.4
PN9330E	0.2-1.0	19.0	10.7	19.0	8.4	3.9	7.7	5.7	2.5	5.2	1.1	2.6	1.6	0.5	0.8	0.7	0.7	0.7	0.7
PN9330E	0.4-1.2				19.0	15.7	19.0	14.1	10.0	13.6	7.3	4.7	3.5	4.5	2.7	2.0	2.6	2.6	2.6
PN9336E	1.0-2.0										19.0	19.0	13.8	12.6	8.4	7.7	8.3	8.3	8.3
PN9337E	2.5-3.5														19.0	19.0	19.0	19.0	19.0

Cage Type		Low Noise Cage (P1-A1-P2-A2)																		
		DN65-80 (2½"-3")						DN100 (4")												
Actuator	Spring range bar	All Kvs			All Kvs			All Kvs			All Kvs									
		N-P	H	D	N-P	H	D	N-P	H	D	N-P	H	D							
PN9230E	0.2-1.0																			
PN9230E	0.4-1.2	1.7	0.5	1.5	0.9	0.8	0.8	0.8	0.8	0.8	0.8	0.8	0.8	0.8	0.8	0.8	0.8	0.8	0.8	0.8
PN9236E	1.0-2.0	6.3	5.1	6.1	3.7	3.0	3.6	3.6	3.6	3.6	3.6	3.6	3.6	3.6	3.6	3.6	3.6	3.6	3.6	3.6
PN9233E	2.0-4.0	14.0	12.8	5.0	8.5	7.8	8.4	8.4	8.4	8.4	8.4	8.4	8.4	8.4	8.4	8.4	8.4	8.4	8.4	8.4
PN9330E	0.2-1.0	1.6	0.5	1.4	0.8	0.7	0.7	0.7	0.7	0.7	0.7	0.7	0.7	0.7	0.7	0.7	0.7	0.7	0.7	0.7
PN9330E	0.4-1.2	4.7	3.5	4.5	2.7	2.0	2.6	2.6	2.6	2.6	2.6	2.6	2.6	2.6	2.6	2.6	2.6	2.6	2.6	2.6
PN9336E	1.0-2.0	13.8	12.6	13.6	8.4	7.7	8.3	8.3	8.3	8.3	8.3	8.3	8.3	8.3	8.3	8.3	8.3	8.3	8.3	8.3
PN9337E	2.5-3.5				19.0	19.0	19.0	19.0	19.0	19.0	19.0	19.0	19.0	19.0	19.0	19.0	19.0	19.0	19.0	19.0

- Maximum differential pressures for Class VI shut-off
 - PTFE Seated (G)
 Spira-trol
 - DN15 - 25 (1/2" - 1")
 - Flow under

Actuator		Standard Cage (S)																	
		DN15-25 (1/2"-1")																	
		0.01-0.07 (0.012-0.081)			0.1-0.2 (0.12-0.23)			0.5 (0.58)			1.0 (1.2)			1.6 (1.8)			2.5 (2.9)		
Spring range bar	Cage Type	N-P	H	D	N-P	H	D	N-P	H	D	N-P	H	D	N-P	H	D	N-P	H	D
0.2-1.0	PN9120E	4.0			4.0			4.0			4.0			4.0			4.0		
0.4-1.2	PN9120E	4.0			4.0			4.0			4.0			4.0			4.0		
1.0-2.0	PN9126E	4.0	4.0	4.0	4.0	4.0	4.0	4.0	4.0	4.0	4.0	4.0	4.0	4.0	4.0	4.0	4.0	4.0	4.0
2.0-4.0	PN9123E	4.0	4.0	4.0	4.0	4.0	4.0	4.0	4.0	4.0	4.0	4.0	4.0	4.0	4.0	4.0	4.0	4.0	4.0
0.2-1.0	PN9220E	4.0	4.0	4.0	4.0	4.0	4.0	4.0	4.0	4.0	4.0	4.0	4.0	4.0	4.0	4.0	4.0	4.0	4.0
0.4-1.2	PN9220E	4.0	4.0	4.0	4.0	4.0	4.0	4.0	4.0	4.0	4.0	4.0	4.0	4.0	4.0	4.0	4.0	4.0	4.0

Actuator		Standard Cage (S)																		Low Noise Cage (Pf)		
		DN15-25 (1/2"-1")																		2.5-4-6-3-10 (2.9-4.6-7.3-12)		
		4.0 (4.6)			4.9-6.3 (5.7-7.3)			7.2 (8.3)			10 (12)			11 (12.7)								
Spring range bar	Cage Type	N-P	H	D	N-P	H	D	N-P	H	D	N-P	H	D	N-P	H	D	N-P	H	D	N-P	H	D
0.2-1.0	PN9120E	4.0			3.3			2.5			1.9			1.5			1.5					
0.4-1.2	PN9120E	4.0			4.0			4.0			4.0			4.0			4.0			4.0		3.1
1.0-2.0	PN9126E	4.0	4.0	4.0	4.0	4.0	4.0	4.0	4.0	4.0	4.0	4.0	4.0	4.0	4.0	4.0	4.0	4.0	4.0	4.0	4.0	4.0
2.0-4.0	PN9123E	4.0	4.0	4.0	4.0	4.0	4.0	4.0	4.0	4.0	4.0	4.0	4.0	4.0	4.0	4.0	4.0	4.0	4.0	4.0	4.0	4.0
0.2-1.0	PN9220E	4.0	4.0	4.0	4.0	4.0	4.0	4.0	4.0	4.0	4.0	4.0	4.0	4.0	4.0	4.0	4.0	4.0	4.0	4.0	4.0	4.0
0.4-1.2	PN9220E	4.0	4.0	4.0	4.0	4.0	4.0	4.0	4.0	4.0	4.0	4.0	4.0	4.0	4.0	4.0	4.0	4.0	4.0	4.0	4.0	4.0

- Maximum differential pressures for Class VI shut-off
- PTFE Seated (G)
- Spira-trol
- DN15 - 25 (1/2" - 1")
- Flow under

Actuator		Standard Cage (S)																		
		DN15-25 (1/2"-1")																		
		0.01-0.07 (0.012-0.081)			0.1-0.2 (0.12-0.23)			0.5 (0.58)			1.0 (1.2)			1.6 (1.8)			2.5 (2.9)			
Spring range bar	Cage Type	Valve size																		
		Kvs (Cv)																		
Maximum pressure (bar g)	Cage Type	N-P	H	D	N-P	H	D	N-P	H	D	N-P	H	D	N-P	H	D	N-P	H	D	
		6.0	4.0	4.0	4.0	4.0	4.0	4.0	4.0	4.0	4.0	4.0	4.0	4.0	4.0	4.0	4.0	4.0	4.0	4.0
6.0	4.0	4.0	4.0	4.0	4.0	4.0	4.0	4.0	4.0	4.0	4.0	4.0	4.0	4.0	4.0	4.0	4.0	4.0	4.0	
6.0	4.0	4.0	4.0	4.0	4.0	4.0	4.0	4.0	4.0	4.0	4.0	4.0	4.0	4.0	4.0	4.0	4.0	4.0	4.0	

Actuator		Standard Cage (S)																		Low Noise Cage (P1)			
		DN15-25 (1/2"-1")																		2.5-4-6.3-10 (2.9-4.6-7.3-12)			
		4.0 (4.6)			4.9-6.3 (5.7-7.3)			7.2 (8.3)			10 (12)			11 (12.7)									
Spring range bar	Cage Type	Valve size																					
		Kvs (Cv)																					
Maximum pressure (bar g)	Cage Type	N-P	H	D	N-P	H	D	N-P	H	D	N-P	H	D	N-P	H	D	N-P	H	D	N-P	H	D	
		4.0	4.0	4.0	4.0	4.0	4.0	4.0	4.0	4.0	4.0	4.0	4.0	4.0	4.0	4.0	4.0	4.0	4.0	4.0	4.0	4.0	4.0
6.0	4.0	4.0	4.0	4.0	4.0	4.0	4.0	4.0	4.0	4.0	4.0	4.0	4.0	4.0	4.0	4.0	4.0	4.0	4.0	4.0	4.0	4.0	
6.0	4.0	4.0	4.0	4.0	4.0	4.0	4.0	4.0	4.0	4.0	4.0	4.0	4.0	4.0	4.0	4.0	4.0	4.0	4.0	4.0	4.0	4.0	

- Maximum differential pressures for Class VI shut-off
- PTFE Seated (G)
- Spira-trol
- DN32 - 50 (1 1/4" - 2")
- Flow under

Actuator		Standard Cage (S)																							
		DN32-50 (1 1/4"-2")																							
		4.0 (4.6)			6.3 (7.3)			10 (12)			16 (18)			17.5 - 18 (20.2-21)			25 (29)								
Spring range bar	Cage Type	N-P	H	D	N-P	H	D	N-P	H	D	N-P	H	D	N-P	H	D	N-P	H	D	N-P	H	D			
0.2-1.0	PN9120E	4.0			3.3				1.9				1.5				1.1			0.4					
0.4-1.2	PN9120E	4.0		4.0	4.0			4.0	4.0			3.9					4.0			2.5			1.1		
1.0-2.0	PN9126E	4.0	4.0	4.0	4.0	4.0	4.0	4.0	4.0	4.0	4.0	4.0	4.0	4.0	4.0	4.0	4.0	4.0	4.0	4.0	4.0	4.0	4.0	4.0	
2.0-4.0	PN9123E	4.0	4.0	4.0	4.0	4.0	4.0	4.0	4.0	4.0	4.0	4.0	4.0	4.0	4.0	4.0	4.0	4.0	4.0	4.0	4.0	4.0	4.0	4.0	
0.2-1.0	PN9220E	4.0	4.0	4.0	4.0	4.0	4.0	4.0	4.0	4.0	4.0	4.0	4.0	4.0	4.0	4.0	4.0	4.0	4.0	4.0	4.0	4.0	4.0	4.0	
0.4-1.2	PN9220E	4.0	4.0	4.0	4.0	4.0	4.0	4.0	4.0	4.0	4.0	4.0	4.0	4.0	4.0	4.0	4.0	4.0	4.0	4.0	4.0	4.0	4.0	4.0	
1.0-2.0	PN9226E	4.0	4.0	4.0	4.0	4.0	4.0	4.0	4.0	4.0	4.0	4.0	4.0	4.0	4.0	4.0	4.0	4.0	4.0	4.0	4.0	4.0	4.0	4.0	
2.0-4.0	PN9223E	4.0	4.0	4.0	4.0	4.0	4.0	4.0	4.0	4.0	4.0	4.0	4.0	4.0	4.0	4.0	4.0	4.0	4.0	4.0	4.0	4.0	4.0	4.0	

Actuator		Standard Cage (S)																		Low noise cage (P1)			
		DN32-50 (1 1/4"-2")																					
		31-36 (36-42)			46-50 (53-58)			All Kvs															
Spring range bar	Cage Type	N-P	H	D	N-P	H	D	N-P	H	D	N-P	H	D	N-P	H	D	N-P	H	D	N-P	H	D	
0.2-1.0	PN9120E	0.3																					
0.4-1.2	PN9120E	2.0		0.8	1.3			0.5	1.3			0.5											0.5
1.0-2.0	PN9126E	4.0	4.0	4.0	4.0	4.0	4.0	4.0	4.0	4.0	4.0	4.0	4.0	4.0	4.0	4.0	4.0	4.0	4.0	4.0	4.0	4.0	4.0
2.0-4.0	PN9123E	4.0	4.0	4.0	4.0	4.0	4.0	4.0	4.0	4.0	4.0	4.0	4.0	4.0	4.0	4.0	4.0	4.0	4.0	4.0	4.0	4.0	4.0
0.2-1.0	PN9220E	4.0	1.9	3.4	3.2	1.3	2.4	3.2	3.2	1.3	2.4	3.2	1.3	2.4	3.2	1.3	2.4	3.2	1.3	2.4	3.2	1.3	2.4
0.4-1.2	PN9220E	4.0	4.0	4.0	4.0	4.0	4.0	4.0	4.0	4.0	4.0	4.0	4.0	4.0	4.0	4.0	4.0	4.0	4.0	4.0	4.0	4.0	4.0
1.0-2.0	PN9226E	4.0	4.0	4.0	4.0	4.0	4.0	4.0	4.0	4.0	4.0	4.0	4.0	4.0	4.0	4.0	4.0	4.0	4.0	4.0	4.0	4.0	4.0
2.0-4.0	PN9223E	4.0	4.0	4.0	4.0	4.0	4.0	4.0	4.0	4.0	4.0	4.0	4.0	4.0	4.0	4.0	4.0	4.0	4.0	4.0	4.0	4.0	4.0

- Maximum differential pressures for Class VI shut-off
- PTFE Seated (G)
- Spira-trol
- DN32 - 50 (1 1/4" - 2")
- Flow under

		Standard Cage (S)																			
		DN32-50 (1 1/4"-2")																			
Actuator	Spring range bar	Cage Type	4.0 (4.6)			6.3 (7.3)			10 (12)			16 (18)			17.5 - 18 (20.2-21)			25 (29)			
			N-P	H	D	N-P	H	D	N-P	H	D	N-P	H	D	N-P	H	D				
PN9120R	0.2-1.0	Valve size	4.0	4.0	4.0	4.0	4.0	4.0	4.0	4.0	4.0	4.0	4.0	4.0	4.0	4.0	4.0	4.0	4.0	4.0	4.0
PN9120R	0.4-1.2	Kvs (Cv)	4.0	4.0	4.0	4.0	4.0	4.0	4.0	4.0	4.0	4.0	4.0	4.0	4.0	4.0	4.0	4.0	4.0	4.0	4.0
PN9126R	1.0-2.0	Maximum pressure (bar g)	4.0	4.0	4.0	4.0	4.0	4.0	4.0	4.0	4.0	4.0	4.0	4.0	4.0	4.0	4.0	4.0	4.0	4.0	4.0
PN9123R	2.0-4.0		4.0	4.0	4.0	4.0	4.0	4.0	4.0	4.0	4.0	4.0	4.0	4.0	4.0	4.0	4.0	4.0	4.0	4.0	4.0
PN9220R	0.2-1.0		4.0	4.0	4.0	4.0	4.0	4.0	4.0	4.0	4.0	4.0	4.0	4.0	4.0	4.0	4.0	4.0	4.0	4.0	4.0
PN9220R	0.4-1.2		4.0	4.0	4.0	4.0	4.0	4.0	4.0	4.0	4.0	4.0	4.0	4.0	4.0	4.0	4.0	4.0	4.0	4.0	4.0

		Standard Cage (S)												Low Noise Cage (P1)							
		DN32-50 (1 1/4"-2")												All Kvs							
Actuator	Spring range bar	Cage Type	31-36 (36-42)			46-50 (53-58)															
			N-P	H	D	N-P	H	D	N-P	H	D	N-P	H	D							
PN9120R	0.2-1.0	Valve size	4.0	4.0	4.0	4.0	4.0	4.0	4.0	4.0	4.0	4.0	4.0	4.0	4.0	4.0	4.0	4.0	4.0	4.0	4.0
PN9120R	0.4-1.2	Kvs (Cv)	4.0	4.0	4.0	4.0	4.0	4.0	4.0	4.0	4.0	4.0	4.0	4.0	4.0	4.0	4.0	4.0	4.0	4.0	4.0
PN9126R	1.0-2.0	Maximum pressure (bar g)	4.0	4.0	4.0	4.0	4.0	4.0	4.0	4.0	4.0	4.0	4.0	4.0	4.0	4.0	4.0	4.0	4.0	4.0	4.0
PN9123R	2.0-4.0		4.0	4.0	4.0	4.0	4.0	4.0	4.0	4.0	4.0	4.0	4.0	4.0	4.0	4.0	4.0	4.0	4.0	4.0	4.0
PN9220R	0.2-1.0		4.0	4.0	4.0	4.0	4.0	4.0	4.0	4.0	4.0	4.0	4.0	4.0	4.0	4.0	4.0	4.0	4.0	4.0	4.0
PN9220R	0.4-1.2		4.0	4.0	4.0	4.0	4.0	4.0	4.0	4.0	4.0	4.0	4.0	4.0	4.0	4.0	4.0	4.0	4.0	4.0	4.0

- Maximum differential pressures for Class VI shut-off
- PTFE Seated (G)
- Spira-trol
- DN65 - 100 (2½" - 4")
- Flow under

Actuator		Standard Cage (S)																							
		DN65-100 (2½-4")																							
		16 (18)			25 (29)			36 (42)			63-73-90 (73-85-104)			100-117 (116-135)			160-180 (185-208)								
Spring range bar	Cage Type	Valve size		Kvs (Cv)	Maximum pressure (bar g)	N-P	H	D	N-P	H	D	N-P	H	D	N-P	H	D	N-P	H	D	N-P	H	D		
		0.2-1.0	PN9230E																					6.0	4.0
0.4-1.2	PN9230E	6.0	4.0	4.0	4.0	4.0	4.0	4.0	4.0	4.0	4.0	4.0	4.0	4.0	4.0	4.0	4.0	4.0	4.0	4.0	4.0	4.0	4.0	4.0	
1.0-2.0	PN9236E	6.0	4.0	4.0	4.0	4.0	4.0	4.0	4.0	4.0	4.0	4.0	4.0	4.0	4.0	4.0	4.0	4.0	4.0	4.0	4.0	4.0	4.0	4.0	
2.0-4.0	PN9233E	6.0	4.0	4.0	4.0	4.0	4.0	4.0	4.0	4.0	4.0	4.0	4.0	4.0	4.0	4.0	4.0	4.0	4.0	4.0	4.0	4.0	4.0	4.0	
0.2-1.0	PN9330E	4.0	4.0	4.0	4.0	4.0	4.0	4.0	4.0	4.0	4.0	4.0	4.0	4.0	4.0	4.0	4.0	4.0	4.0	4.0	4.0	4.0	4.0	4.0	
0.4-1.2	PN9330E	4.0	4.0	4.0	4.0	4.0	4.0	4.0	4.0	4.0	4.0	4.0	4.0	4.0	4.0	4.0	4.0	4.0	4.0	4.0	4.0	4.0	4.0	4.0	
1.0-2.0	PN9336E	4.0	4.0	4.0	4.0	4.0	4.0	4.0	4.0	4.0	4.0	4.0	4.0	4.0	4.0	4.0	4.0	4.0	4.0	4.0	4.0	4.0	4.0	4.0	
2.5-3.5	PN9337E	4.0	4.0	4.0	4.0	4.0	4.0	4.0	4.0	4.0	4.0	4.0	4.0	4.0	4.0	4.0	4.0	4.0	4.0	4.0	4.0	4.0	4.0	4.0	

Actuator		Low Noise Cage (P1)												
		DN100 (4")												
		DN65-80 (2½-3")			All Kvs			All Kvs			All Kvs			
Spring range bar	Cage Type	Valve size		Kvs (Cv)	Maximum pressure (bar g)	N-P	H	D	N-P	H	D	N-P	H	D
		0.2-1.0	PN9230E											
0.4-1.2	PN9230E	6.0	2.5	2.5	1.3	1.3	1.3	1.3	1.5	1.5	1.4	1.5	1.5	1.4
1.0-2.0	PN9236E	6.0	4.0	4.0	4.0	4.0	4.0	4.0	4.0	4.0	4.0	4.0	4.0	4.0
2.0-4.0	PN9233E	6.0	4.0	4.0	4.0	4.0	4.0	4.0	4.0	4.0	4.0	4.0	4.0	4.0
0.2-1.0	PN9330E	4.0	2.4	2.4	1.3	1.3	1.3	1.3	1.5	1.5	1.4	1.5	1.5	1.4
0.4-1.2	PN9330E	4.0	4.0	4.0	4.3	4.3	4.3	4.3	3.4	3.4	3.2	3.4	3.4	3.2
1.0-2.0	PN9336E	4.0	4.0	4.0	4.0	4.0	4.0	4.0	4.0	4.0	4.0	4.0	4.0	4.0
2.5-3.5	PN9337E	4.0	4.0	4.0	4.0	4.0	4.0	4.0	4.0	4.0	4.0	4.0	4.0	4.0

- Maximum differential pressures for Class VI shut-off
 - PTFE Seated (G)
 - Spira-trol
 - DN65 - 100 (2½" - 4")
 - Flow under

Actuator		Standard Cage (S)																	
		DN65-100 (2½-4")																	
		16 (18)			25 (29)			36 (42)			63-73-90 (73-85-104)			100-117 (116-135)			160-180 (185-208)		
Spring range bar	Cage Type	Valve size		Kvs (Cv)	Maximum pressure (bar g)	N-P	H	D	N-P	H	D	N-P	H	D	N-P	H	D		
		0.2-1.0	PN9230R															4.0	4.0
0.4-1.2	PN9230R	4.0	4.0	4.0	4.0	4.0	4.0	4.0	4.0	4.0	4.0	4.0	4.0	4.0	4.0	4.0	4.0		
1.0-2.0	PN9236R	4.0	4.0	4.0	4.0	4.0	4.0	4.0	4.0	4.0	4.0	4.0	4.0	4.0	4.0	4.0	4.0		
2.0-4.0	PN9233R	4.0	4.0	4.0	4.0	4.0	4.0	4.0	4.0	4.0	4.0	4.0	4.0	4.0	4.0	4.0	4.0		
0.2-1.0	PN9330R	4.0	4.0	4.0	4.0	4.0	4.0	4.0	4.0	4.0	4.0	4.0	4.0	4.0	4.0	4.0	4.0		
0.4-1.2	PN9330R	4.0	4.0	4.0	4.0	4.0	4.0	4.0	4.0	4.0	4.0	4.0	4.0	4.0	4.0	4.0	4.0		
1.0-2.0	PN9336R	4.0	4.0	4.0	4.0	4.0	4.0	4.0	4.0	4.0	4.0	4.0	4.0	4.0	4.0	4.0	4.0		

Actuator		Low Noise Cage (P1)									
		DN65-80 (2½-3")									
		All Kvs					DN100 (4")				
Spring range bar	Cage Type	Valve size		Kvs (Cv)	Maximum pressure (bar g)	N-P	H	D	N-P	H	D
		0.2-1.0	PN9230R								
0.4-1.2	PN9230R	4.0	4.0	4.0	4.0	4.0	4.0	4.0	4.0	4.0	
1.0-2.0	PN9236R	4.0	4.0	4.0	4.0	4.0	4.0	4.0	4.0	4.0	
2.0-4.0	PN9233R	4.0	4.0	4.0	4.0	4.0	4.0	4.0	4.0	4.0	
0.2-1.0	PN9330R	4.0	4.0	4.0	4.0	4.0	4.0	4.0	4.0	4.0	
0.4-1.2	PN9330R	4.0	4.0	4.0	4.0	4.0	4.0	4.0	4.0	4.0	
1.0-2.0	PN9336R	4.0	4.0	4.0	4.0	4.0	4.0	4.0	4.0	4.0	

- Maximum differential pressures for Class IV shut-off
 - Hard Facing (W)
 - Spira-trol
 - DN15 - 25 (½" - 1")
 - Flow under

Actuator		Standard Cage (S)																	
		DN15-25 (½"-1")																	
		0.01-0.07 (0.012-0.081)			0.1-0.2 (0.12-0.23)			0.5 (0.58)			1.0 (1.2)			1.6 (1.8)			2.5 (2.9)		
Spring range bar	Cage Type	Valve size																	
		N-P	H	D	N-P	H	D	N-P	H	D	N-P	H	D	N-P	H	D	N-P	H	D
PN9120E	0.2-1.0	6.0	92.8																
PN9120E	0.4-1.2	6.0	103.4	25.0	103.4	25.0	64.6	39.8											
PN9126E	1.0-2.0	6.0	103.4	103.4	103.4	103.4	103.4	103.4	25.0	103.4	25.0	103.4	103.4	61.4	25.0	69.5	31.3	25.0	25.0
PN9123E	2.0-4.0	6.0	103.4	103.4	103.4	103.4	103.4	103.4	103.4	25.0	103.4	103.4	103.4	103.4	25.0	103.4	103.4	103.4	25.0
PN9220E	0.2-1.0	6.0	103.4	103.4	103.4	103.4	103.4	103.4	62.6	25.0	103.4	38.0	25.0	5.7	25.0	33.8		25.0	25.0
PN9220E	0.4-1.2	6.0	103.4	103.4	103.4	103.4	103.4	103.4	103.4	25.0	103.4	103.4	103.4	103.4	25.0	103.4	82.2	17.3	17.3
PN9226E	1.0-2.0	6.0	103.4	103.4	103.4	103.4	103.4	103.4	103.4	25.0	103.4	103.4	103.4	103.4	25.0	103.4	103.4	103.4	25.0
PN9223E	2.0-4.0	6.0	103.4	103.4	103.4	103.4	103.4	103.4	103.4	25.0	103.4	103.4	103.4	103.4	25.0	103.4	103.4	103.4	25.0
PN9320E	0.2-1.0	4.0	103.4	103.4	103.4	103.4	103.4	103.4	103.4	25.0	103.4	103.4	103.4	103.4	25.0	103.4	79.7	25.0	25.0
PN9320E	0.4-1.2	4.0	103.4	103.4	103.4	103.4	103.4	103.4	103.4	25.0	103.4	103.4	103.4	103.4	25.0	103.4	103.4	103.4	25.0

Actuator		Standard Cage (S)																		Low Noise Cage (P1-A1)		
		DN15-25 (½"-1")																		2.5-4-6-3-10 (2.9-4.6-7.3-12)		
		4.0 (4.6)			4.9-6.3 (5.7-7.3)			7.2 (8.3)			10 (12)			11 (12.7)			2.5-4-6-3-10 (2.9-4.6-7.3-12)					
Spring range bar	Cage Type	Valve size																		Low Noise Cage (P1-A1)		
		N-P	H	D	N-P	H	D	N-P	H	D	N-P	H	D	N-P	H	D	N-P	H	D			
PN9126E	1.0-2.0	6.0	42.7	16.2	25.0	11.3	17.8	2.9	11.6	6.5	7.4	3.2	4.2	0.8	4.2	0.8	4.2	0.8	0.8			
PN9123E	2.0-4.0	6.0	103.4	101.1	25.0	65.5	50.6	25.0	49.3	37.5	37.9	28.4	25.0	21.3	29.0	21.3	29.0	21.3	25.0			
PN9220E	0.2-1.0	6.0	17.9		6.5	3.8			0.6													
PN9220E	0.4-1.2	6.0	78.1	51.5	25.0	37.7	22.7	25.0	27.3	15.5	20.1	10.6	14.5	6.8	14.5	6.8	14.5	6.8	11.2			
PN9226E	1.0-2.0	6.0	103.4	103.4	25.0	103.4	103.4	25.0	103.4	95.7	85.0	75.5	67.2	59.5	67.2	59.5	67.2	59.5	25.0			
PN9223E	2.0-4.0	6.0	103.4	103.4	25.0	103.4	103.4	25.0	103.4	103.4	103.4	103.4	103.4	103.4	103.4	103.4	103.4	103.4	25.0			
PN9320E	0.2-1.0	4.0	76.3	49.8	25.0	36.7	21.8	25.0	26.5	14.7	19.5	9.9	14.0	6.3	14.0	6.3	14.0	6.3	10.7			
PN9320E	0.4-1.2	4.0	103.4	103.4	25.0	103.3	88.4	25.0	79.2	67.4	62.1	52.6	48.6	40.9	48.6	40.9	48.6	40.9	25.0			

- Maximum differential pressures for Class IV shut-off
- Hard Facing (W)
- Spira-trol
- DN15 - 25 (½" - 1")
- Flow under

		Standard Cage (S)																		
		DN15-25 (½"-1")																		
Actuator	Spring range bar	Cage Type	0.01-0.07 (0.012-0.081)			0.1-0.2 (0.12-0.23)			0.5 (0.58)			1.0 (1.2)			1.6 (1.8)			2.5 (2.9)		
			N-P	H	D	N-P	H	D	N-P	H	D	N-P	H	D	N-P	H	D	N-P	H	D
PN9120R	0.2-1.0	6.0	103.4	103.4	25.0	103.4	103.4	25.0	103.4	103.4	25.0	103.4	103.4	25.0	103.4	103.4	25.0	103.4	103.4	25.0
PN9120R	0.4-1.2	6.0	103.4	103.4	25.0	103.4	103.4	25.0	103.4	103.4	25.0	103.4	103.4	25.0	103.4	103.4	25.0	103.4	103.4	25.0
PN9126R	1.0-2.0	6.0	103.4	103.4	25.0	103.4	103.4	25.0	103.4	103.4	25.0	103.4	103.4	25.0	103.4	103.4	25.0	103.4	103.4	25.0
PN9123R	2.0-4.0	6.0	103.4	103.4	25.0	103.4	103.4	25.0	103.4	103.4	25.0	103.4	103.4	25.0	103.4	103.4	25.0	103.4	103.4	25.0
PN9220R	0.2-1.0	6.0	103.4	103.4	25.0	103.4	103.4	25.0	103.4	103.4	25.0	103.4	103.4	25.0	103.4	103.4	25.0	103.4	103.4	25.0
PN9220R	0.4-1.2	6.0	103.4	103.4	25.0	103.4	103.4	25.0	103.4	103.4	25.0	103.4	103.4	25.0	103.4	103.4	25.0	103.4	103.4	25.0
PN9226R	1.0-2.0	6.0	103.4	103.4	25.0	103.4	103.4	25.0	103.4	103.4	25.0	103.4	103.4	25.0	103.4	103.4	25.0	103.4	103.4	25.0

		Standard Cage (S)												Low Noise Cage (P1-A1)						
		DN15-25 (½"-1")																		
Actuator	Spring range bar	Cage Type	4.0 (4.6)			4.9-6.3 (5.7-7.3)			7.2 (8.3)			10 (12)			11 (12.7)			2.5-4-6.3-10 (2.9-4.6-7.3-12)		
			N-P	H	D	N-P	H	D	N-P	H	D	N-P	H	D	N-P	H	D	N-P	H	D
PN9120R	0.2-1.0	6.0	103.4	103.4	25.0	103.4	103.4	25.0	103.4	103.4	25.0	103.4	103.4	25.0	103.4	103.4	25.0	103.4	103.4	25.0
PN9120R	0.4-1.2	6.0	103.4	103.4	25.0	103.4	103.4	25.0	103.4	103.4	25.0	103.4	103.4	25.0	103.4	103.4	25.0	103.4	103.4	25.0
PN9126R	1.0-2.0	6.0	103.4	103.4	25.0	103.4	103.4	25.0	103.4	103.4	25.0	103.4	103.4	25.0	103.4	103.4	25.0	103.4	103.4	25.0
PN9123R	2.0-4.0	6.0	103.4	101.1	25.0	65.5	50.6	25.0	49.3	37.5	25.0	99.0	89.5	25.0	78.6	70.9	25.0	29.0	21.3	25.0
PN9220R	0.2-1.0	6.0	103.4	103.4	25.0	103.4	103.4	25.0	103.4	103.4	25.0	103.4	103.4	25.0	103.4	103.4	25.0	103.4	103.4	25.0
PN9220R	0.4-1.2	6.0	103.4	103.4	25.0	103.4	103.4	25.0	103.4	103.4	25.0	103.4	103.4	25.0	103.4	103.4	25.0	103.4	103.4	25.0
PN9226R	1.0-2.0	6.0	103.4	103.4	25.0	103.4	103.4	25.0	103.4	103.4	25.0	103.4	103.4	25.0	103.4	103.4	25.0	103.4	103.4	25.0

- Maximum differential pressures for Class IV shut-off
- Hard Facing (W)
- Spira-trol
- DN32 - 50 (1 1/4" - 2")
- Flow under

Cage Type		Standard Cage (S)																							
		DN32-50 (1 1/4"-2")																							
		4.0 (4.6)				6.3 (7.3)				10 (12)				16 (18)				17.5 - 18 (20.2-21)				25 (29)			
Actuator	Spring range bar	N-P		H		D		N-P		H		D		N-P		H		D		N-P		H		D	
		Kvs (Cv)	Maximum pressure (bar g)																						
PN9126E	1.0-2.0	40.8	6.0	15.1	25.0	17.8	2.9	11.3	7.4	3.2	4.4	1.0	1.5												
PN9123E	2.0-4.0	103.4	6.0	97.2	25.0	65.5	50.6	25.0	37.9	28.4	29.7	21.8	16.0	21.1	15.0	18.4				8.3	5.0	6.8			
PN9220E	0.2-1.0	16.8	6.0		5.7	3.8																			
PN9220E	0.4-1.2	75.0	6.0	49.3	25.0	37.7	22.7	25.0	20.1	10.6	15.0	7.1	11.5	9.7	3.6	7.0				2.1		0.7			
PN9226E	1.0-2.0	103.4	6.0	103.4	25.0	103.4	103.4	25.0	85.0	75.5	68.6	60.7	16.0	51.2	45.1	25.0				24.6	21.3	23.2			
PN9223E	2.0-4.0	103.4	6.0	103.4	25.0	103.4	103.4	25.0	103.4	103.4	103.4	103.4	16.0	103.4	103.4	25.0				62.0	58.7	25.0			
PN9320E	0.2-1.0	73.3	4.0	47.6	25.0	36.7	21.8	25.0	19.5	9.9	14.4	6.5	11.0	9.3	3.1	6.6				1.9		0.5			
PN9320E	0.4-1.2	103.4	4.0	103.4	25.0	103.3	88.4	25.0	62.1	52.6	49.7	41.8	16.0	36.6	30.4	25.0				16.7	13.3	15.2			

Cage Type		Standard Cage (S)												Low Noise Cage (P1-P2-P3-A1-A2)					
		DN32-50 (1 1/4"-2")												All Kvs					
		31-36 (36-42)				46-50 (53-58)								N-P		H		D	
Actuator	Spring range bar	N-P		H		D		N-P		H		D		N-P		H		D	
		Kvs (Cv)	Maximum pressure (bar g)																
PN9123E	2.0-4.0	5.5	6.0	2.9	4.4	2.6	0.7	1.7	2.6	0.7	1.7								
PN9220E	0.2-1.0		6.0																
PN9220E	0.4-1.2	0.6	6.0																
PN9226E	1.0-2.0	18.6	6.0	15.9	17.4	11.9	10.0	11.0	11.9	10.0	11.0								
PN9223E	2.0-4.0	48.6	6.0	45.9	25.0	33.2	31.4	25.0	33.2	31.4	25.0								
PN9320E	0.2-1.0	0.4	4.0																
PN9320E	0.4-1.2	12.2	4.0	9.6	11.1	7.3	5.4	6.5	7.3	5.4	6.5								

- Maximum differential pressures for Class IV shut-off
 - Hard Facing (W)
 - Spira-trol
 - DN32 - 50 (1 1/4" - 2")
 - Flow under

Actuator	Spring range bar	Standard Cage (S)																			
		DN32-50 (1 1/4"-2")																			
		4.0 (4.6)			6.3 (7.3)			10 (12)			16 (18)			17.5 - 18 (20.2-21)			25 (29)				
Cage Type	Valve size	Kvs (Cv)	Maximum pressure (bar g)	N-P	H	D	N-P	H	D	N-P	H	D	N-P	H	D	N-P	H	D			
PN9120R	0.2-1.0	6.0	103.4	103.4	103.4	25.0	103.4	103.4	25.0	103.4	103.4	25.0	103.4	97.6	25.0	79.7	73.6	25.0	40.0	36.7	25.0
PN9120R	0.4-1.2	6.0	103.4	103.4	103.4	25.0	103.4	103.4	25.0	103.4	103.4	25.0	100.4	92.5	25.0	75.8	69.7	25.0	37.9	34.6	25.0
PN9126R	1.0-2.0	6.0	103.4	103.4	103.4	25.0	103.4	103.4	25.0	99.0	89.5	25.0	80.2	72.3	25.0	60.2	54.1	25.0	29.4	26.1	25.0
PN9123R	2.0-4.0	6.0	103.4	97.2	25.0	65.5	50.6	25.0	37.9	28.4	25.0	29.7	21.8	25.0	21.1	15.0	18.4	8.3	5.0	6.8	25.0
PN9220R	0.2-1.0	6.0	103.4	103.4	103.4	25.0	103.4	103.4	25.0	103.4	103.4	25.0	103.4	103.4	103.4	103.4	103.4	25.0	103.4	103.4	25.0
PN9220R	0.4-1.2	6.0	103.4	103.4	103.4	25.0	103.4	103.4	25.0	103.4	103.4	25.0	103.4	103.4	103.4	103.4	103.4	25.0	103.4	103.4	25.0
PN9226R	1.0-2.0	6.0	103.4	103.4	103.4	25.0	103.4	103.4	25.0	103.4	103.4	25.0	103.4	103.4	103.4	103.4	103.4	25.0	103.4	103.4	25.0
PN9223R	2.0-4.0	6.0	103.4	103.4	103.4	25.0	103.4	103.4	25.0	103.4	103.4	25.0	103.4	103.4	103.4	103.4	103.4	25.0	62.0	58.7	25.0
PN9320R	0.2-1.0	2.7	103.4	103.4	103.4	25.0	103.4	103.4	25.0	103.4	103.4	25.0	103.4	103.4	103.4	103.4	103.4	25.0	103.4	103.4	25.0
PN9320R	0.4-1.2	2.7	103.4	103.4	103.4	25.0	103.4	103.4	25.0	103.4	103.4	25.0	103.4	103.4	103.4	103.4	103.4	25.0	97.8	94.5	25.0

Actuator	Spring range bar	Standard Cage (S)												Low Noise Cage (P1-P2-P3-A1-A2)				
		DN32-50 (1 1/4"-2")												All Kvs				
		31-36 (36-42)			46-50 (53-58)			All Kvs			All Kvs							
Cage Type	Valve size	Kvs (Cv)	Maximum pressure (bar g)	N-P	H	D	N-P	H	D	N-P	H	D	N-P	H	D	N-P	H	D
PN9120R	0.2-1.0	6.0	103.4	30.9	28.3	25.0	20.7	18.8	19.8	20.7	18.8	19.8	20.7	18.8	19.8	20.7	18.8	19.8
PN9120R	0.4-1.2	6.0	103.4	29.2	26.6	25.0	19.5	17.6	18.6	19.5	17.6	18.6	19.5	17.6	18.6	19.5	17.6	18.6
PN9126R	1.0-2.0	6.0	103.4	22.5	19.8	21.3	14.6	12.7	13.8	14.6	12.7	13.8	14.6	12.7	13.8	14.6	12.7	13.8
PN9123R	2.0-4.0	6.0	103.4	5.5	2.9	4.4	2.6	0.7	1.7	2.6	0.7	1.7	2.6	0.7	1.7	2.6	0.7	1.7
PN9220R	0.2-1.0	6.0	103.4	103.4	103.4	25.0	97.4	95.5	25.0	97.4	95.5	25.0	97.4	95.5	25.0	97.4	95.5	25.0
PN9220R	0.4-1.2	6.0	103.4	103.4	103.4	25.0	93.1	91.2	25.0	93.1	91.2	25.0	93.1	91.2	25.0	93.1	91.2	25.0
PN9226R	1.0-2.0	6.0	103.4	103.4	103.4	25	76.0	74.1	25.0	76.0	74.1	25.0	76.0	74.1	25.0	76.0	74.1	25.0
PN9223R	2.0-4.0	6.0	103.4	48.6	45.9	25	33.2	31.4	25.0	33.2	31.4	25.0	33.2	31.4	25.0	33.2	31.4	25.0
PN9320R	0.2-1.0	2.7	103.4	89	86.4	25	62.1	60.2	25.0	62.1	60.2	25.0	62.1	60.2	25.0	62.1	60.2	25.0
PN9320R	0.4-1.2	2.7	103.4	77.2	74.6	25	53.7	51.8	25.0	53.7	51.8	25.0	53.7	51.8	25.0	53.7	51.8	25.0

- Maximum differential pressures for Class IV shut-off
 - Hard Facing (W)
 - Spira-trol
 - DN65 - 100 (2½" - 4")
 - Flow under

Actuator		Standard Cage (S)																									
		DN65-100 (2½-4")																									
		16 (18)			25 (29)			36 (42)			63-73-90 (73-85-104)			100-117 (116-135)			160-180 (185-208)										
Spring range bar	Cage Type	Kvs (Cv)		N-P		H		D		N-P		H		D		N-P		H		D		N-P		H		D	
		Valve size	Maximum pressure (bar g)	6.0	8.6	7.0	50.2	39.8	25.0	17.4	18.1	13.6	8.3	11.0	4.8	3.0	4.5	2.0	0.9	1.8	0.4	5.0	4.3	4.9	5.1		
PN9230E	0.4-1.2	6.0	8.6	7.0	50.2	39.8	25.0	17.4	18.1	13.6	8.3	11.0	4.8	3.0	4.5	2.0	0.9	1.8	0.4	5.0	4.3	4.9	5.1				
PN9236E	1.0-2.0	6.0	50.2	39.8	25.0	17.4	18.1	13.6	8.3	11.0	4.8	3.0	4.5	2.0	0.9	1.8	0.4	5.0	4.3	4.9	5.1						
PN9233E	2.0-4.0	6.0	103.4	103.4	25.0	48.1	43.6	25.0	32.9	29.7	25.0	16.9	15.0	16.6	9.7	8.6	9.5	5.2	4.5	5.1							
PN9330E	0.2-1.0	4.0	8.2	6.6	35.5	25.2	25.0	11.8	7.3	11.1	7.0	3.8	6.5	2.3	0.5	2.0	0.4	0.2									
PN9330E	0.4-1.2	4.0	103.4	103.4	25.0	47.2	42.7	25.0	32.3	29.1	15.9	16.5	14.7	16.2	9.5	8.3	9.3	5.0	4.3	4.9							
PN9336E	1.0-2.0	4.0	103.4	103.4	25.0	103.4	103.4	103.4	95.5	92.3	25.0	52.0	50.2	25.0	32.2	31.1	25.0	19.2	18.5	19.1							
PN9337E	2.5-3.5	4.0	103.4	103.4	25.0	103.4	103.4	103.4	95.5	92.3	25.0	52.0	50.2	25.0	32.2	31.1	25.0	19.2	18.5	19.1							

Actuator		Low Noise Cage (P1-A1-P2-A2-P3)																		
		DN100 (4")																		
		All Kvs						All Kvs												
Spring range bar	Cage Type	Kvs (Cv)		N-P		H		D		N-P		H		D						
		Valve size	Maximum pressure (bar g)	6.0	2.0	0.9	1.8	0.4	0.3	5.0 <th>4.3 <th>4.9 </th></th>	4.3 <th>4.9 </th>	4.9								
PN9236E	1.0-2.0	6.0	2.0	0.9	1.8	0.4	0.3	5.0	4.3	4.9										
PN9233E	2.0-4.0	6.0	9.7	8.6	9.5	5.2	4.5	5.1												
PN9330E	0.2-1.0	4.0	8.2	6.6	35.5	25.2	25.0	11.8	7.3	11.1	7.0	3.8	6.5	2.3	0.5	2.0	0.4	0.2		
PN9330E	0.4-1.2	4.0	103.4	103.4	25.0	47.2	42.7	25.0	32.3	29.1	15.9	16.5	14.7	16.2	9.5	8.3	9.3	5.0	4.3	4.9
PN9336E	1.0-2.0	4.0	103.4	103.4	25.0	103.4	103.4	103.4	95.5	92.3	25.0	52.0	50.2	25.0	32.2	31.1	25.0	19.2	18.5	19.1
PN9337E	2.5-3.5	4.0	103.4	103.4	25.0	103.4	103.4	103.4	95.5	92.3	25.0	52.0	50.2	25.0	32.2	31.1	25.0	19.2	18.5	19.1

- Maximum differential pressures for Class IV shut-off
- Hard Facing (W)
- Spira-trol
- DN65 - 100 (2½" - 4")
- Flow under

		Standard Cage (S)																				
		DN65-100 (2½-4")																				
Actuator	Spring range bar	Cage Type	16 (18)			25 (29)			36 (42)			63-73-90 (73-85-104)			100-117 (116-135)			160-180 (185-208)				
			N-P	H	D	N-P	H	D	N-P	H	D	N-P	H	D	N-P	H	D	N-P	H	D		
PN9230R	0.2-1.0	6.0	103.4	103.4	25.0	103.4	103.4	25.0	25.0	25.0	97.1	93.9	25.0	52.9	51.1	25.0	32.8	31.7	25.0	19.6	18.8	19.4
PN9230R	0.4-1.2	6.0	103.4	103.4	25.0	103.4	103.4	25.0	25.0	25.0	92.8	89.6	25.0	50.5	48.7	25.0	31.3	30.1	25.0	18.6	17.9	18.5
PN9236R	1.0-2.0	6.0	103.4	103.4	25.0	103.4	103.4	25.0	25.0	25.0	75.7	72.5	25.0	40.9	39.1	25.0	25.1	24.0	24.9	14.8	14.0	14.7
PN9233R	2.0-4.0	6.0	103.4	103.4	25.0	48.1	43.6	25.0	25.0	25.0	32.9	29.7	25.0	16.9	15.0	16.6	9.7	8.6	9.5	5.2	4.5	5.1
PN9330R	0.2-1.0	4.0	103.4	103.4	25.0	88.6	84.1	25.0	25.0	25.0	61.8	58.6	25.0	33.1	31.3	25.0	20.1	19.0	19.9	11.6	10.9	11.5
PN9330R	0.4-1.2	4.0	103.4	103.4	25.0	76.8	72.3	25.0	25.0	25.0	53.4	50.2	25.0	28.3	26.5	25.0	17.1	15.9	16.9	9.8	9.0	9.6
PN9336R	1.0-2.0	4.0	76.5	66.1	25.0	29.5	25.0	25.0	25.0	25.0	19.7	16.5	19.2	9.4	7.6	9.1	4.9	3.8	4.8	2.1	1.5	2.1

		Low Noise Cage (P1-A1-P2-A2-P3)												
		DN65-80 (2½-3")												
Actuator	Spring range bar	Cage Type	DN65-80 (2½-3")			DN100 (4")			All Kvs			All Kvs		
			N-P	H	D	N-P	H	D	N-P	H	D	N-P	H	D
PN9230R	0.2-1.0	6.0	32.8	31.7	25.0	19.6	18.8	19.4	19.6	18.8	19.4	19.6	18.8	19.4
PN9230R	0.4-1.2	6.0	31.3	30.1	25.0	18.6	17.9	18.5	18.6	17.9	18.5	18.6	17.9	18.5
PN9236R	1.0-2.0	6.0	25.1	24.0	24.9	14.8	14.0	14.7	14.8	14.0	14.7	14.8	14.0	14.7
PN9233R	2.0-4.0	6.0	9.7	8.6	9.5	5.2	4.5	5.1	9.7	8.6	9.5	5.2	4.5	5.1
PN9330R	0.2-1.0	4.0	20.1	19.0	19.9	11.6	10.9	11.5	11.6	10.9	11.5	11.6	10.9	11.5
PN9330R	0.4-1.2	4.0	17.1	15.9	16.9	9.8	9.0	9.6	17.1	15.9	16.9	9.8	9.0	9.6
PN9336R	1.0-2.0	4.0	4.9	3.8	4.8	2.1	1.5	2.1	4.9	3.8	4.8	2.1	1.5	2.1

PN9000 series selection guide:

Before making your PN9000 series selection please reference pages 6 to 26 - Sizing data

How to use the sizing data:

The tables supply guidance as to the sizing of the PN9000 when it is used on a SPIRA-TROL control valve.

Two conditions are illustrated in tabular form:

Class IV shut-off - Providing shut-off of the valve to the requirements of BS 5793-4 (IEC 60534-4) class IV.

Class VI shut-off - Providing shut-off of the valve to the requirements of BS 5793-4 (IEC 60534-4) class VI.

To select a suitable actuator:

- Identify the column containing the valve and gland material selected.
- Identify the maximum operating pressure condition, including any transient pressures likely to occur, within the selected column.
- Read back to the left hand side of the table to identify the suitable actuator for the application.

For conditions outside of those illustrated please contact Spirax Sarco.

Type	PN = Polyester powder coated (standard)	PN
Series	9 = 9000 series	9
Actuator size	1 = 100 cm ² 2 = 340 cm ² 3 = 670 cm ²	3
Valve travel	2 = 20 mm 3 = 30 mm	3
Spring rating	0 = 0.2 to 1.0 bar (option for 0.4 to 1.2 bar) 3 = 2.0 to 4.0 bar 6 = 1.0 to 2.0 bar 7 = 2.5 to 3.5 bar (PN933_ series only)	7
Spring action	E = Spring-extend R = Spring-retract	E
Yoke type (DN15 - DN50)	Blank = Spira-trol™ K and L Series (M34) B = Spira-trol™ J Series (M50)	
Manual override	H = Handwheel (optional)	
Anti-corrosive bolting	S = Anti-corrosive bolting (optional)	
Fast Speed	F = version with the higher capacity of speed (possible only PN92_ and PN93_)	
Diaphragm	Blank = Standard T = High Temperature EPDM diaphragm	

How to order / selection example:

1 off Spirax Sarco PN9337E pneumatic actuator.

Spare parts

The only spares available are clearly indicated below and are common for both spring-extend and spring-retract versions.

Available spares

Stem seal kit	17, 18, 30
Diaphragm kit	4, 9
Travel indicator kit	15, 19, 20
Spring kit	5
Linkage kit (Spira-trol™ valves)	10, 13, 14, 26, 27

How to order spares

Always order spares by using the description given in the column headed 'Available spares' and state the actuator model.

Example: 1 - Stem seal kit for a PN9123E pneumatic actuator.

