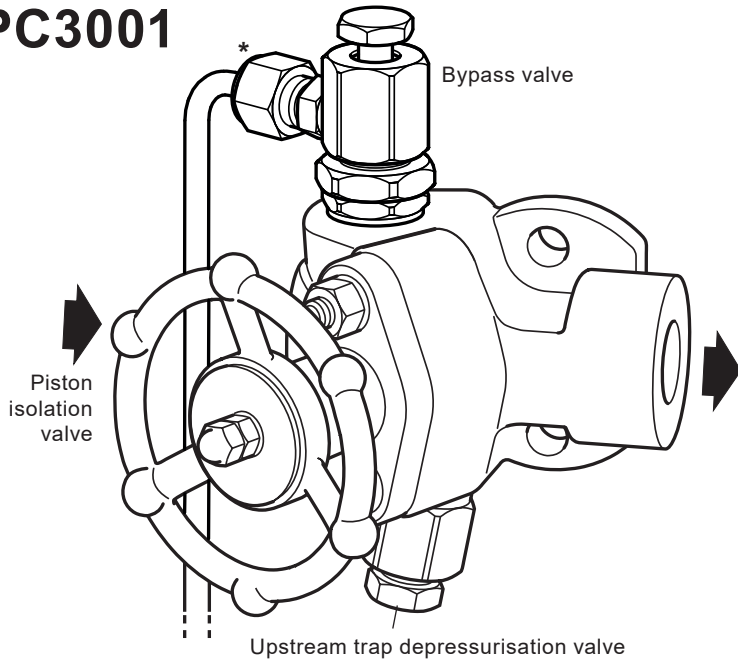




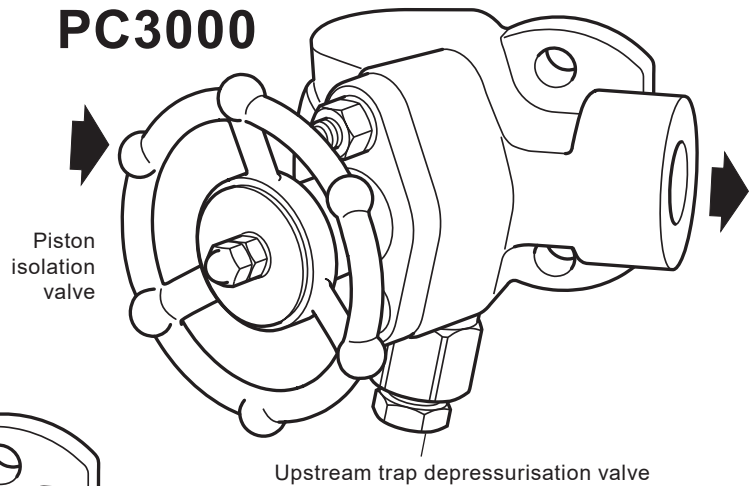
PC3001, PC3000 and PC30 Pipeline Connectors

PC3001

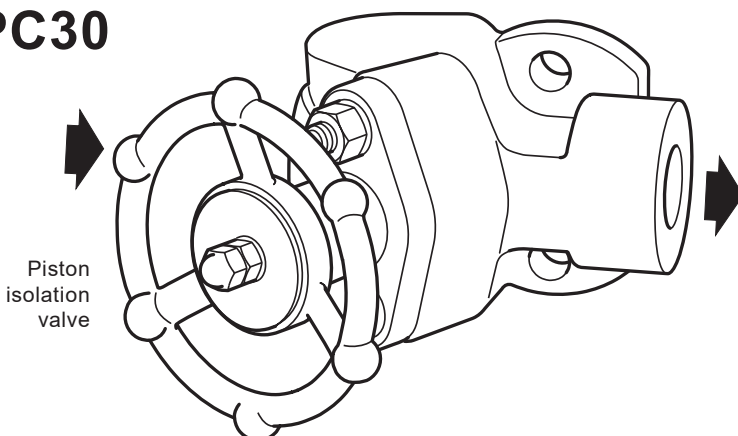


* **Please note** that the line drain outlet is shown out of position for clarity and that the line drain pipework is to be supplied by the customer.

PC3000



PC30



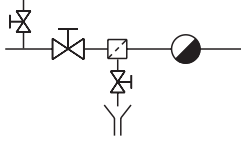
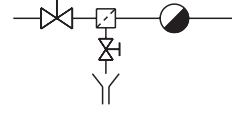

Description

The PC3001, PC3000 and PC30 range of pipeline connectors are designed for use with two bolt universal swivel connector steam traps. Incorporating one integral piston stop valve, it is possible to isolate upstream of the steam trap.

PC3001 and PC3000 models only

The trap depressurisation port also incorporates a maintainable 40 mesh stainless steel strainer screen to provide trap protection from system dirt and debris. The PC3001 is also fitted with a bypass/line drain valve upstream of the isolation valve.

Available types

Model	Valve connections	P and ID diagram	Flow direction
PC3001	1 x Piston isolation valves 1 x Upstream trap vent valve 1 x Bypass valve		<p>Left to right</p> <p>→</p> <p>or</p> <p>←</p> <p>Right to left</p>
PC3000	1 x Piston isolation valves 1 x Upstream trap vent valve		
PC30	No valve connections		

For available options to the pipeline connections detailed within this Technical Information sheet please reference TI-F01-37.

Standards

These products fully comply with the requirements of the European Pressure Equipment Directive 2014/68/EU.

Certification

These products are available with certification to EN 10204 3.1.

Note: All certification/inspection requirements must be stated at the time of order placement. For other certification contact Spirax Sarco.

Sizes and pipe connections

DN15 and DN20 condensate inlet/outlet connections are available with screwed BSP T Rp (ISO 7-1) or NPT and as a socket weld connection to ASME B16.11 class 3000. Drainage and venting connections have an M18 thread as standard.

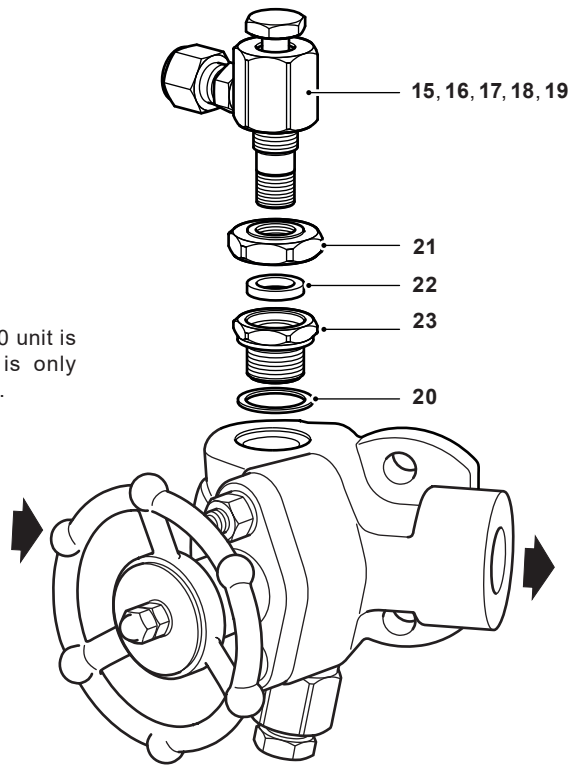
Flanged versions are also available upon request. Please contact Spirax Sarco for further details.

How to order

Example: 1 off ½" Spirax Sarco PC3001 pipeline connector having right to left flow and socket weld end connections to ASME B 16.11 Class 3000.

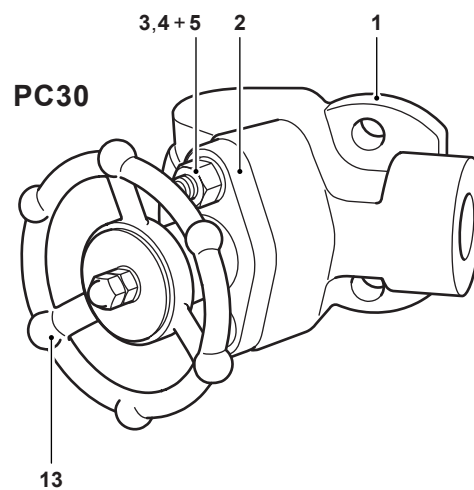
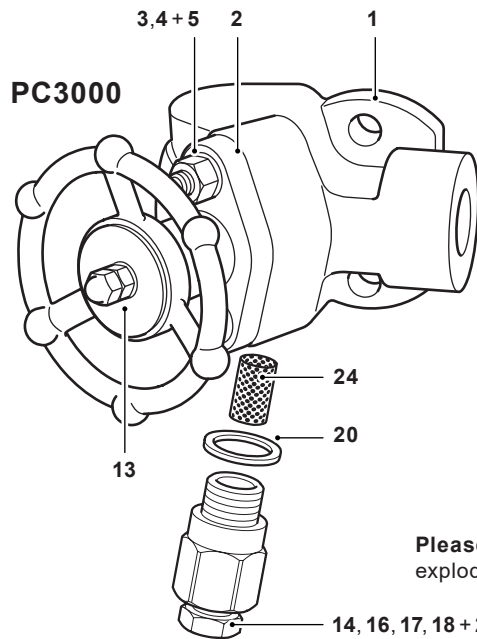
Materials - PC3001

Please note The PC3001 and PC3000 unit is supplied fully assembled; the view is only exploded for ease of part identification.



No.	Part	Material	
15	Bypass valve	Stainless steel	ASTM A182 : 304/304L
16	Valve screw	Stainless steel	ASTM A276 : AISI 431
17	Valve cone	Stainless steel	AISI 440 B
18	Retaining ring	Stainless steel	BS 2056 302 S26
19	Compression fitting for the line drain valve only	Carbon steel (Zinc plated)	
20	Valve gasket	Graphite and stainless steel	
21	Bypass locknut	Stainless steel	ASTM A276 : AISI 431
22	Graphite ring	Die-formed graphite	
23	Bypass bottom body	Stainless steel	ASTM A182 304/304L

Materials - PC3000 and PC30

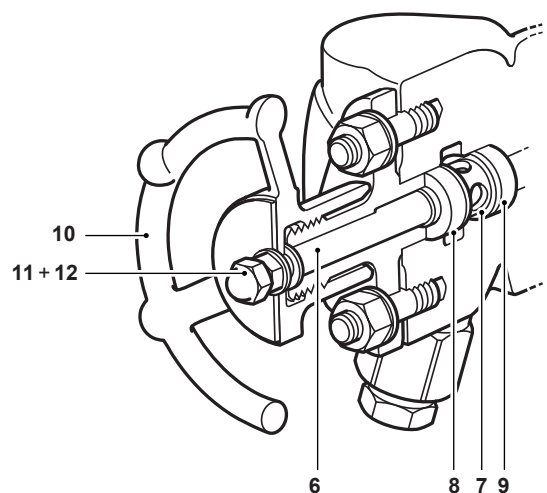


Please note The PC3001 and PC3000 unit is supplied fully assembled; the view is only exploded for ease of part identification.

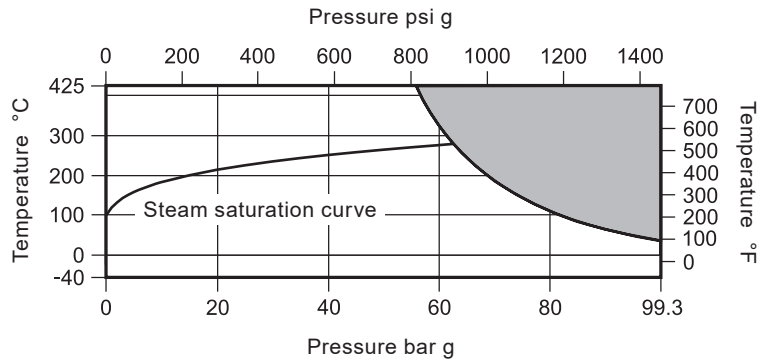
No.	Part	Material	
1	Pipeline connector body	Austenitic stainless steel	ASTM A182F : 304/304L
2	Bonnet	Carbon steel (Zinc plated)	ASTM A105N/LF2
3	Studs	Steel (plated)	ASTM A193 B7
4	Nuts	Steel (plated)	ASTM A194 2H
5	Washers	Stainless steel	
13	Name-plate	Stainless steel	
14	Depressurisation valve	Stainless steel	ASTM A182 : 304/304L
16	Valve screw	Stainless steel	ASTM A276 : AISI 431
17	Valve cone	Stainless steel	AISI 440 B
18	Retaining ring	Stainless steel	BS 2056 302 S26
20	Valve gasket	Graphite and stainless steel	
24	Strainer screen	Stainless steel	

Valve internal materials

No.	Part	Material	
6	Piston	Stainless steel	AISI 410 : 1.4006
7	Lantern bush	Stainless steel	ASTM A276 : AISI 431
8	Upper ring	Graphite and stainless steel	
9	Lower ring	Graphite and stainless steel	
10	Handwheel	Carbon steel (Zinc plated)	EN 10213 : 1.0619N
11	Handwheel nuts	Stainless steel	
12	Nitronic 60 washers	Stainless steel	



Pressure/temperature limits (ISO 6552)



The product **must not** be used in this region or beyond the parameter of the PMA or TMA of the relative end connection - See notes below.

Body design condition		ASME 600
PMA Maximum allowable pressure	99.3 bar g @ 38 °C	1440 psi g @ 100 °F
TMA Maximum allowable temperature	425 °C @ 56 bar g	797 °F @ 812 psi g
Minimum allowable temperature	-46 °C	-51 °F
PMO Maximum operating pressure for saturated steam service	62 bar g @ 279 °C	899 psi g @ 534 °F
TMO Maximum operating temperature	425 °C @ 56 bar g	797 °F @ 812 psi g
Minimum operating temperature	-46 °C	-51 °F
Product is safe for use under full vacuum conditions		
Designed for a maximum cold hydraulic test pressure of:	150 bar g	2 175 psi g

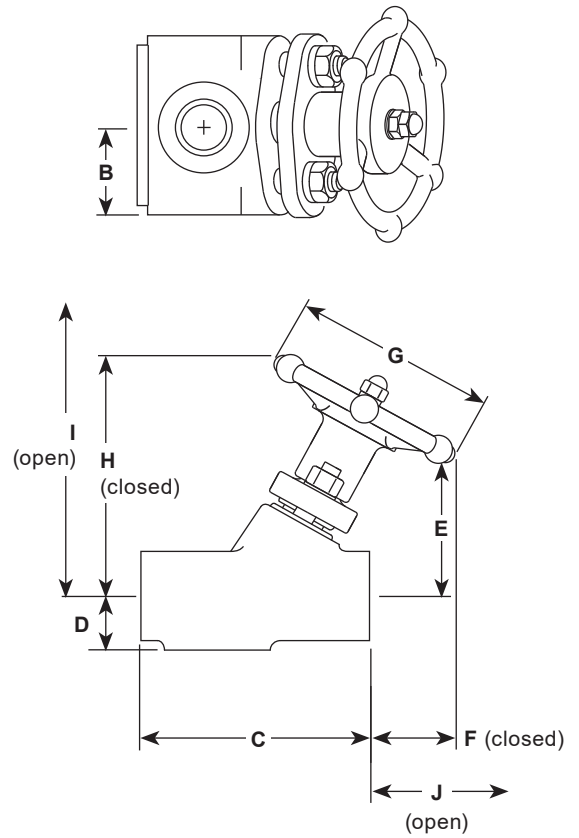
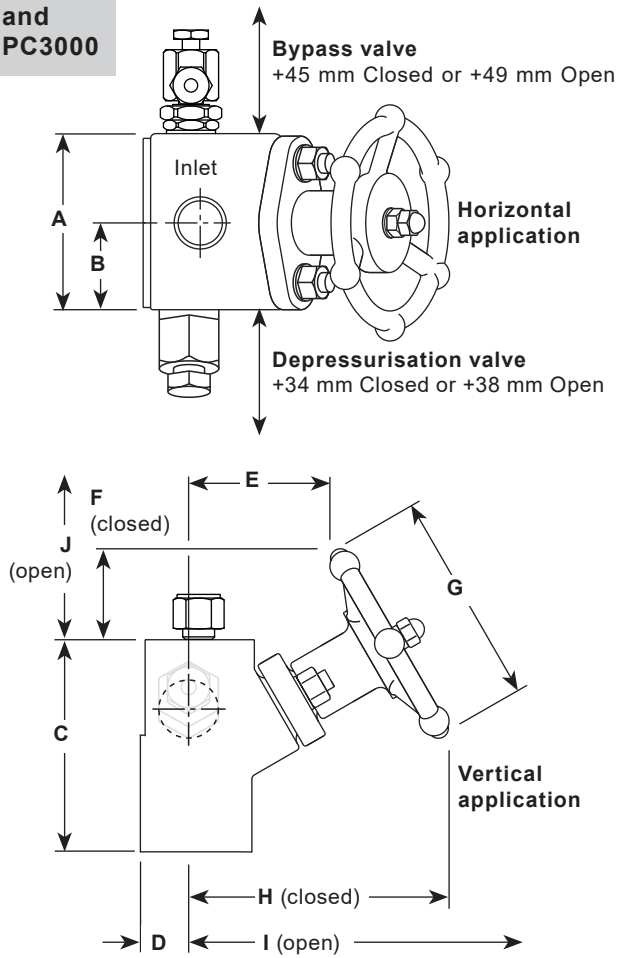
Notes:

1. If flange connections are fitted then these will limit the maximum and minimum design conditions of the pipeline connector.
2. The maximum operating limits of the complete assembly will be dictated by the steam trap of choice. Reference the specific steam trap technical information sheet for its 'Pressure / temperature limits'.

Dimensions/weight (approximate mm (inches) and kg (lbs))

**PC3001
and
PC3000**

PC30



Units		A	B	C	D	E	F	G	H	I	J	Weight
Metric	mm	72	36	96	25	52	37	95	100	118	50	3.6 kg
Imperial	inches	2.8"	1.4"	3.8"	1"	2"	1.5"	3.7"	3.9"	4.64"	1.97"	7.9 lbs

Safety information, installation and maintenance

For full details see the Installation and Maintenance Instructions (IM-P128-35) supplied with the product.

General information

There are two criteria which must be satisfied to ensure that the swivel connector trap will operate correctly and ensure effective condensate removal:

1. The PC3001, PC3000 and PC30 shall be installed with flow in the direction of the arrow on the connector body. Flow can be horizontal (left to right or right to left), vertical or inclined.
2. The connection face for the swivel connector steam trap must be in the vertical plane unless stated on relevant steam trap Installation and Maintenance Instructions.

After installation it is recommended that the pipeline connector is insulated to minimise radiated heat losses and to protect personnel from burns risk: Please note that some steam trap types should not be insulated.

Depressurisation and line drainage

The PC30001 and PC3000 assemblies are supplied fitted with valve(s) which allow depressurisation of the system to enable safe removal and maintenance of the steam trap. The PC3001 is also supplied with bypass valve fitted, however consideration must be given to the position of the discharge which should be directed or piped to a safe place where it will not injure personnel or damage equipment.

PC30 only - Following isolation slightly loosen the trap bolts to ensure the full release of hot steam and condensate prior to commencing work. Safety equipment should be used and care taken to avoid potential injury.

Disposal

This product is recyclable. No ecological hazard is anticipated with the disposal of this product, providing due care is taken.

Spare parts

The spare parts available are shown in heavy outline. Parts drawn in grey line are not supplied as spares. For ease of replacement an extractor tool is available for removing the sealing rings.

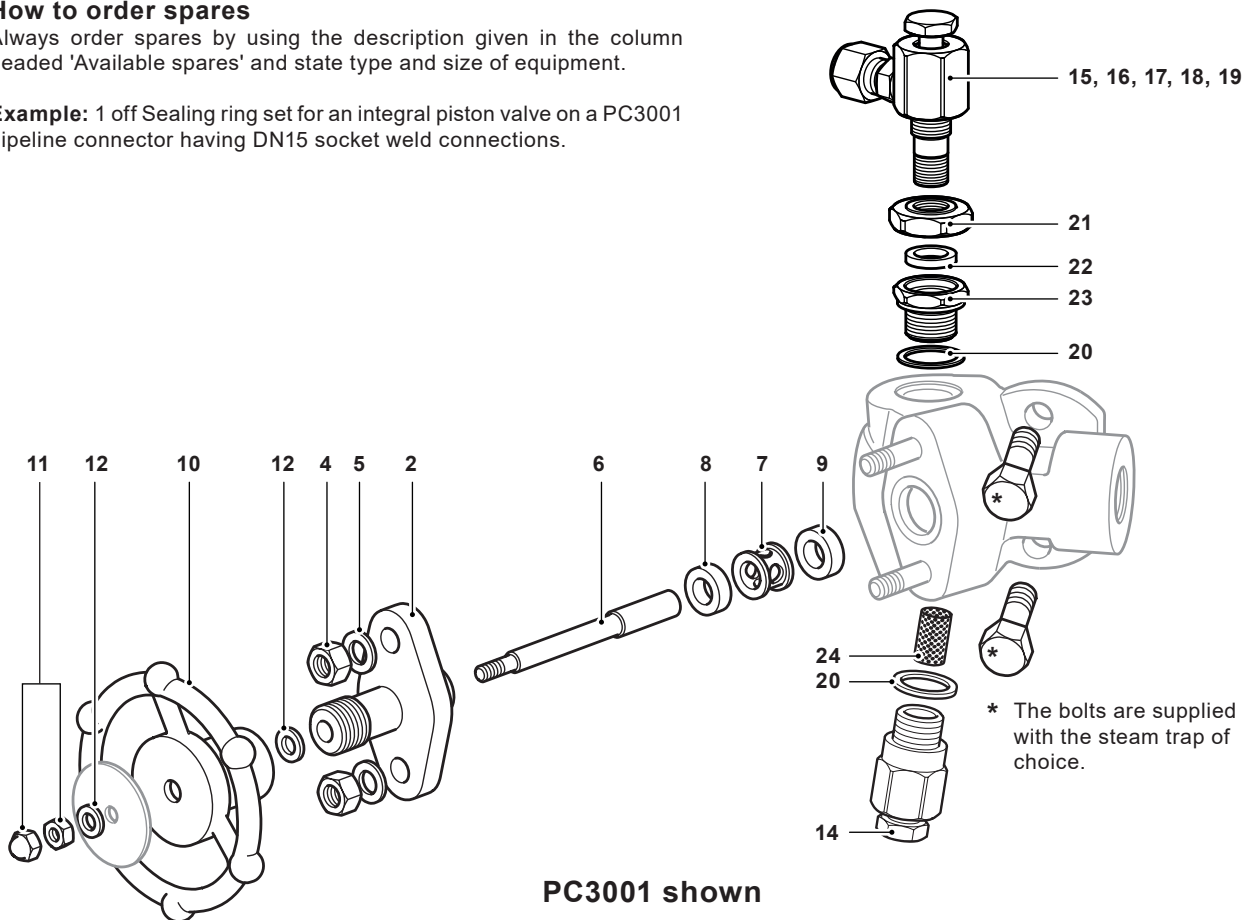
Available spares

Sealing ring set	8 and 9
Piston valve assembly	2, 4, 5, 6, 7, 8, 9, 10, 11 and 12
Piston valve sub-assembly	6, 7, 8 and 9
Extractor tool	Not shown
PC depressurisation valve and gasket	14 and 20
PC bypass valve assembly and gasket	15, 16, 17, 18, 19, 20, 21, 22 and 23
Strainer screen and gasket (pack of 3)	20 and 24
Valve gasket set (pack of 10)	20



How to order spares

Always order spares by using the description given in the column headed 'Available spares' and state type and size of equipment.

Example: 1 off Sealing ring set for an integral piston valve on a PC3001 pipeline connector having DN15 socket weld connections.



Recommended tightening torques

Item	 or mm		N m
4	14	5/16" x 18 UNC	12.0
11	10	M6	12.0
14 and 23	24	M18	74 - 78
21	27	M14	45-50