



Cert. No. LRQ 0963008

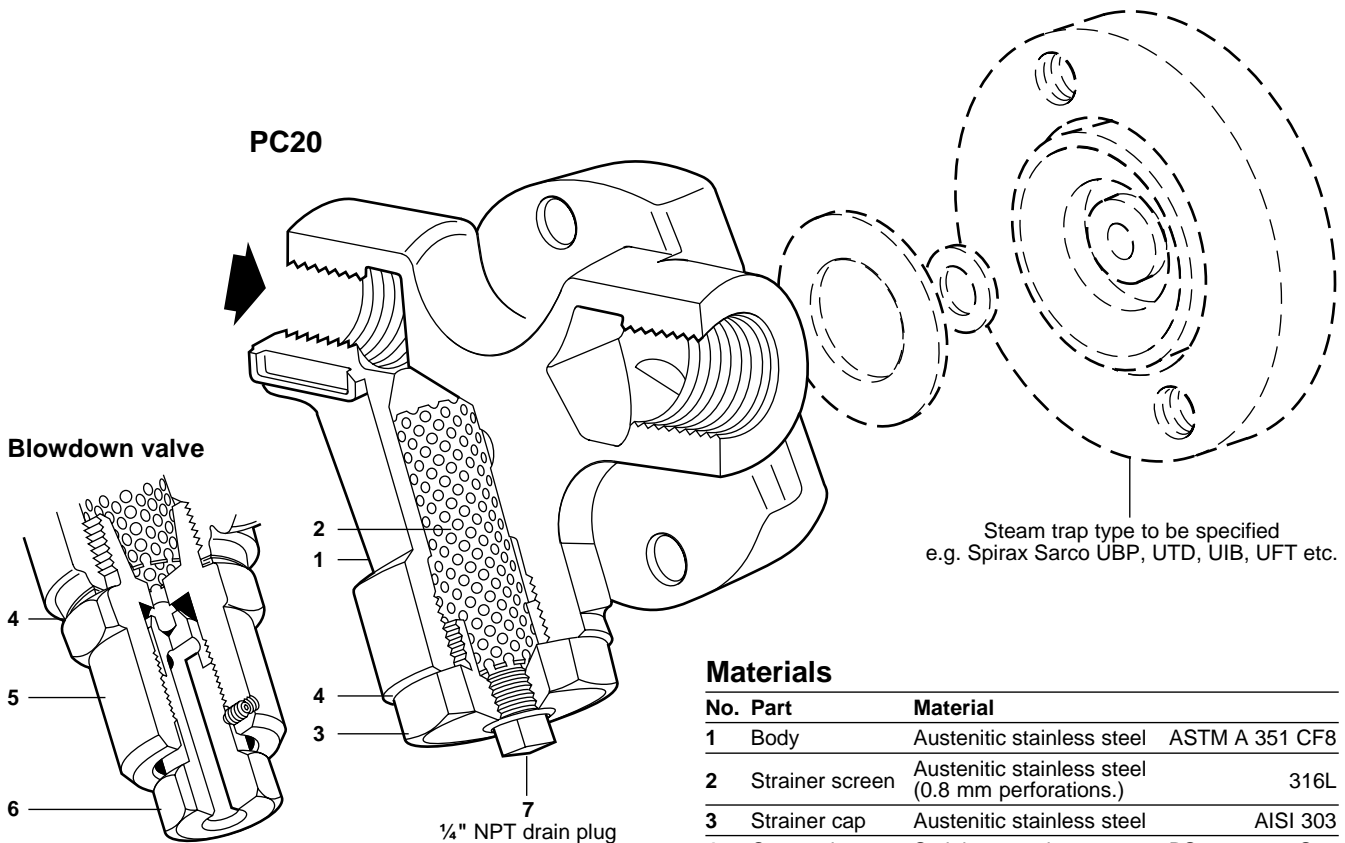
ISO 9001

# spirax sarco

TI-P128-15  
ST Issue 3

## PC20

# Pipeline Connector with Integral Strainer



### Description

The PC20 range of pipeline connectors are designed to give universal flow direction when used with the following swivel connector steam traps:-

UTD30, UTD42, UTD52, UBP21, UBP32, UFT14, UFT32, UIB30 and UIB30H.

The integral strainer screen provides protection for the selected steam trap where system conditions require.

There is an optional blowdown valve which can be used to periodically remove any pipeline debris.

The PC20 can also be supplied fitted with an integral Spiratec sensor to detect steam trap failures and reduce energy costs. These are designated IPC20 and IPC21. Full details are on TI-P128-17.

### Standards

This product fully complies with the requirements of the European Pressure Directive 97/23/EEC.

### Certification

This product is available with certification to EN 10204 2.2.

**Note:** All certification/inspection requirements must be stated at the time of order placement.

### Sizes and pipe connections

Condensate inlet / outlet DN15, 20 and 25

Screwed BSP, NPT

Socket weld ends to ANSI B 16.11/BS 3799 Class 3000.

### Optional extras

- Integral blowdown valve, see TI-P153-01 for further details.
- Integral Spiratec sensor, see TI-P128-17 for further details.

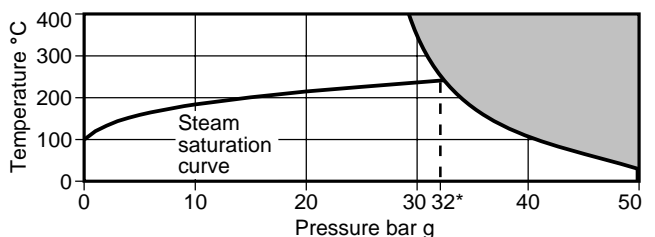
### Materials

No.	Part	Material	
1	Body	Austenitic stainless steel	ASTM A 351 CF8
2	Strainer screen	Austenitic stainless steel (0.8 mm perforations.)	316L
3	Strainer cap	Austenitic stainless steel	AISI 303
4	Cap gasket	Stainless steel	BS 1449 304 S16
5	Blowdown valve	Stainless steel	ASTM A582 A16
6	Valve screw	Stainless steel	ASTM A276 431
7	Plug	Steel	ASTM A105

### Limiting conditions

Body design conditions	ANSI/ASME Class 300 (PN50)
PMA - Maximum allowable pressure	50 bar g
TMA - Maximum allowable temperature	400°C
PMO - Maximum operating pressure	32 bar g
TMO - Maximum operating temperature	400°C
Designed for a maximum cold hydraulic test pressure of 76 bar g	

### Operating range



The product must not be used in this region.

\*PMO Maximum operating pressure recommended for saturated steam service.

## K<sub>v</sub> values

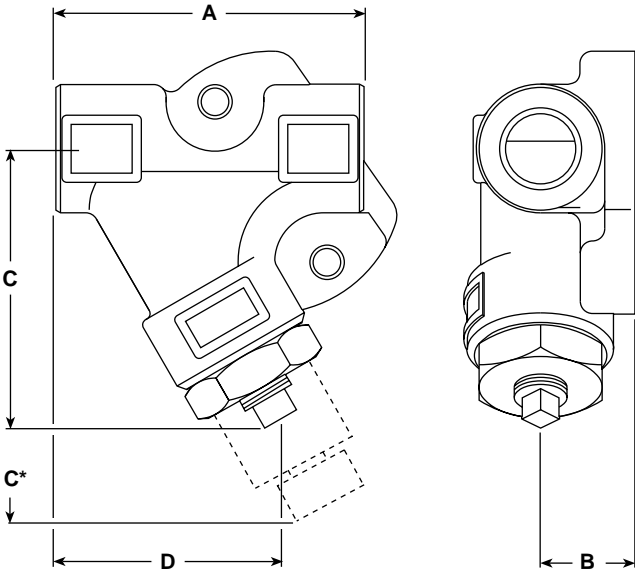
Size	DN15	DN20	DN25
K <sub>v</sub>	1.1	1.1	1.1

For conversion:  $C_v (UK) = K_v \times 0.963$   $C_v (US) = K_v \times 1.156$

## Dimensions / weights (approximate) in mm and kg

Size	A	B	C	C*	D	Weight	
½"	81	24	75	95	58	0.80	1.20*
¾"	89	24	75	95	64	0.90	1.30*
1"	99	25	79	100	69	1.10	1.50*

\* is for PC20 with integral blowdown valve



## Safety information, installation and maintenance

For full details see Installation and Maintenance Instructions (IM-P128-11) supplied with the product.

### General information

There are two criteria which must be satisfied to ensure that the swivel connector trap will operate correctly and ensure effective condensate removal:

- The PC20 shall be installed with flow in the direction of the arrow. Flow can be horizontal (either direction), vertical or inclined.
- The connection face for the swivel connector steam trap must always be in the vertical plane unless stated on relevant steam trap Installation and Maintenance Instructions.

After installation it is recommended that the pipeline connector is insulated to minimise radiated heat losses and to protect personnel from burns risk.

**Note:** Ensure that the discharge from the blowdown valve blows to a safe place.

Detailed instructions regarding welding socket weld versions are provided with the product.

## Disposal

The product is recyclable. No ecological hazard is anticipated with disposal of this product providing due care is taken.

## How to order

**Example:** 1 off ½" Spirax Sarco PC20 pipeline connector with integral strainer in austenitic stainless steel socket weld to ANSI B 16.11 Class 3000.

## Spare parts

The spare parts available are detailed below. No other parts are supplied as spares.

### Available spares

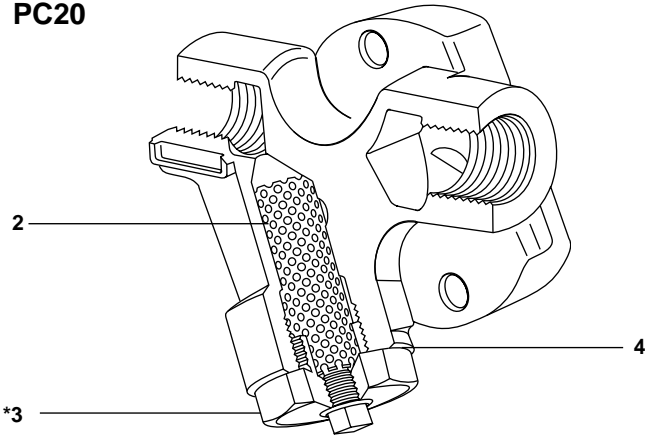
Blowdown valve and gasket	4, 5
Strainer screen and gasket	2, 4

### How to order spares

Always order spares using the description given in the column headed 'Available spares' and state model number.

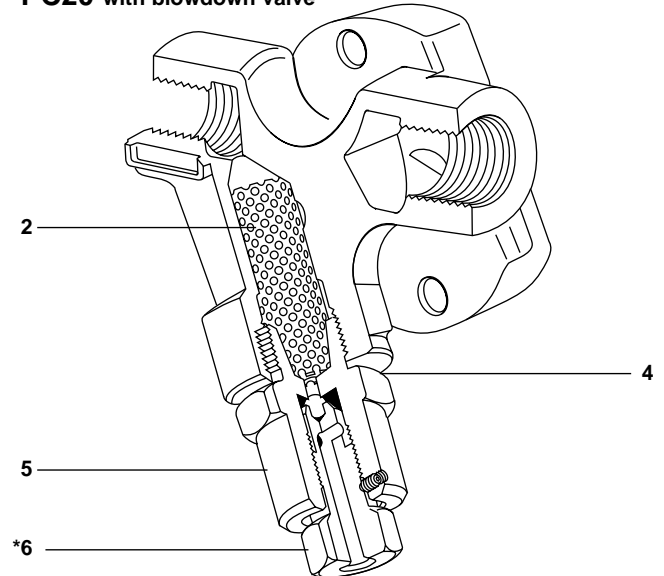
**Example:** 1 - Strainer screen and gasket for a ½" PC20 connector.

## PC20





\*Items 3 and 6 are not available spares

## PC20 with blowdown valve



## Recommended tightening torques

Item	 or mm		N m
3	32 A/F	M28 x 1.5P	170 - 190
5	32 A/F	M28 x 1.5P	170 - 190
6	19 A/F		45 - 50