



Cert. No. LRQ 0963008

ISO 9001

spirax sarco

TI-P136-02
ST Issue 12

MFP14, MFP14S and MFP14SS Automatic Pumps

Description

The Spirax Sarco MFP14 automatic pump is a displacement receiver operated by steam or compressed air. It is generally used to lift liquids such as condensate to a higher level. Subject to the conditions being suitable, the pump can also be used to directly drain closed vessels under vacuum or pressure. In conjunction with a float steam trap the pump can be used to effectively drain temperature controlled heat exchangers under all operating conditions.

Available types

The MFP14 is available with the following body materials:

SG iron	MFP14
Cast steel	MFP14S
Stainless steel	MFP14SS

Standards

This product fully complies with the requirements of the European Pressure Equipment Directive 97/23/EC, ATEX Directive 94/9/EC and carries the **CE** and **Ex** marks when so required.

Certification

This product is available with certification to EN 10204 3.1. Designed in accordance with AD-Merkblätter and ASME VIII Div 1. **Note:** All certification/inspection requirements must be stated at the time of order placement.

Sizes and pipe connections

	1", 1½", 2" and 3" x 2" screwed BSP (BS 21 parallel).
MFP14 SG iron	DN25, DN40, DN50 and DN80 x DN50 flanged EN 1092 PN16, ANSI B 16.5 Class 150 and JIS/KS B 2238 10.
MFP14S Cast steel	DN50 flanged EN 1092 PN16, ANSI B 16.5 Class 150 and JIS/KS B2238 10. 2" screwed BSP/NPT connections are available to special order.
MFP14SS Stainless steel	DN50 flanged EN 1092 PN16, ANSI B 16.5 Class 150 JIS/KS B 2238 10. 2" screwed BSP/NPT connections are available to special order.

Optional extra

Electronic pump monitors A plugged boss is provided on the pump cover, screwed ½" BSP for connecting an electronic pump monitor (For full details see TI-P136-24):

EPM1 A simple stand-alone unit with an 8 digit LCD display, powered by an integral 1.5 V lithium battery.

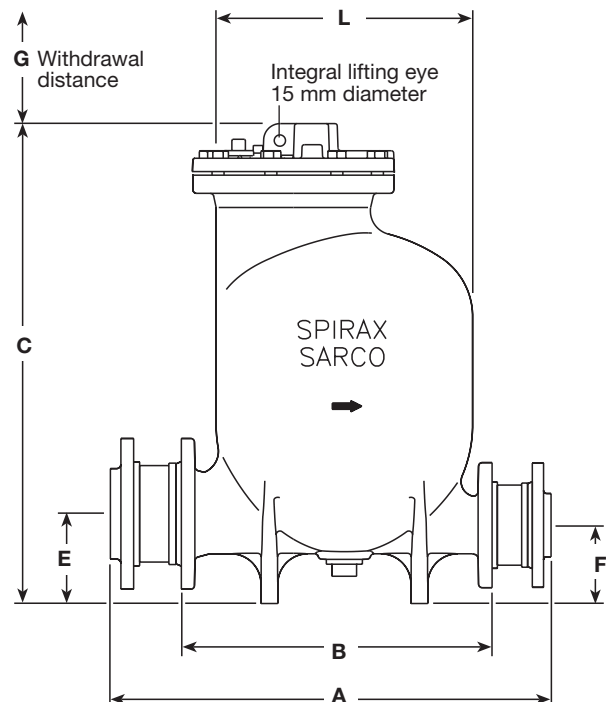
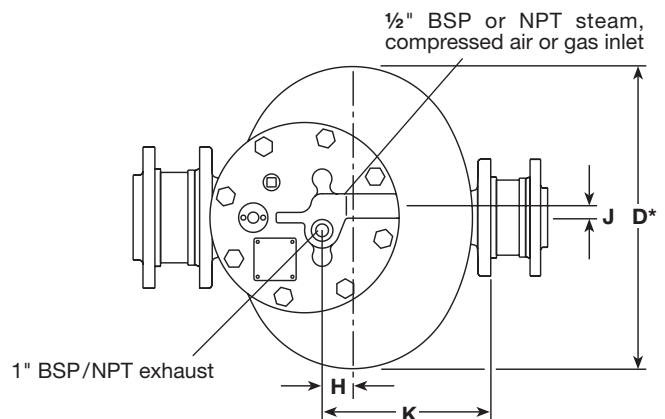
EPM2 A version suitable for coupling to a remote counter/building energy management system (BEMS).

Insulation jacket - An insulation jacket tailor made for each size of MFP14 is available for energy savings and health and safety. See TI-P136-07.

Dimensions/weights (approximate) in mm and kg

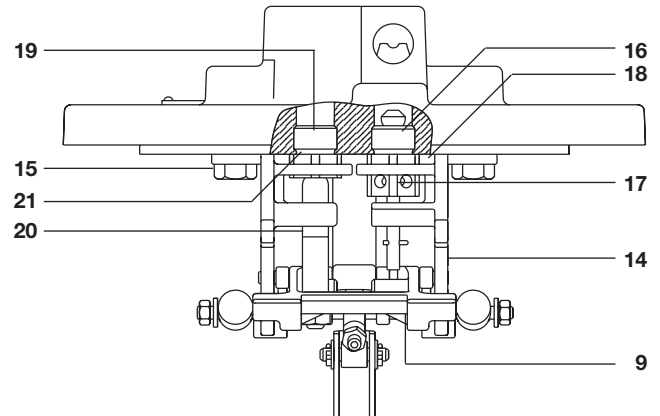
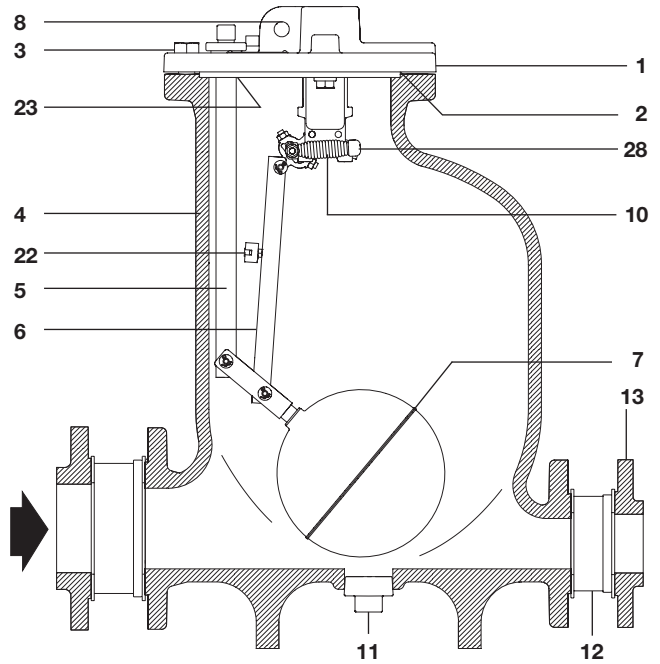
Size	A		B	C	*D	E	F	G	H	J	K	L	Weight	
	JIS/KS PN	ANSI											Pump only	Including check valves and flanges
DN25	410	-	305	507.0	-	68	68	480	13	18	165	Ø 280	51	58
DN40	440	-	305	527.0	-	81	81	480	13	18	165	Ø 280	54	63
DN50	557	625	420	637.5	-	104	104	580	33	18	245	Ø 321	72	82
DN80 x DN50	573	645	420	637.5	430	119	104	580	33	18	245	342	88	98

* **Note:** Dimension **D** only applies to the DN80 x DN50 pump which has an oval body. The DN25, DN40 and DN50 are round bodied therefore dimension **L** is sufficient.



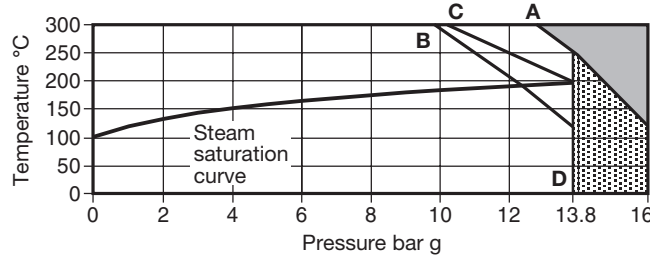
Materials

No. Part	Material		
1 Cover	MFP14	SG iron	(EN JS 1025) EN-GJS-400-18-LT
	MFP14S	Cast steel	DIN GSC 25N ASTM A216 WCB
	MFP14SS	Stainless steel	BS EN 10213-4 144091 ASTM A351 CF3M
2 Cover gasket	Synthetic fibre		
3 Cover screws	Stainless steel ISO 3506 Gr. A2-70		
4 Body	MFP14	SG iron	(EN JS 1025) EN-GJS-400-18-LT
	MFP14S	Cast steel	DIN GSC 25N ASTM A216 WCB
	MFP14SS	Stainless steel	BS EN 10213-4 144091 ASTM A351 CF3M
5 Pillar	Stainless steel BS 970, 431 S29		
6 Connector rod	Stainless steel BS 1449, 304 S11		
7 Float and lever	Stainless steel AISI 304		
8 Eyebolt (integral)	MFP14	SG iron	(EN JS 1025) EN-GJS-400-18-LT
	MFP14S	Cast steel	DIN GSC 25N ASTM A216 WCB
	MFP14SS	Stainless steel	BS EN 10213-4 1998 - 144091 ASTM A351 CF3M
9 Mechanism lever	Stainless steel BS 3146 pt.2 ANC 2		
10 Spring	Inconel 718 ASTM 5962/ASTM B367		
11 Pressure plug	Steel DIN 267 Part III Class 5.8		
12 Check valves	Stainless steel		
13 Screwed boss flanges	Steel		
14 Mechanism bracket	Stainless steel BS 3146 pt. 2 ANC 4B		
15 Bracket screws	Stainless steel BS 6105 Gr. A2-70		
16 Inlet valve seat	Stainless steel BS 970, 431 S29		
17 Inlet valve stem	Stainless steel ASTM A276 440B		
18 Inlet valve seat gasket	Stainless steel BS 1449 409 S19		
19 Exhaust valve seat	Stainless steel BS 970 431 S29		
20 Exhaust valve	Stainless steel BS 3146 pt. 2 ANC 2		
21 Exhaust valve seat gasket	Stainless steel BS 1449 409 S19		
22 EPM actuator	ALNICO		
23 'O' ring seal	EPDM		
28 Spring anchor	Stainless steel BS 970 431 S29		

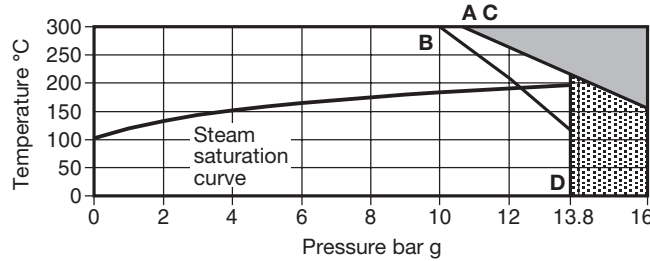


Pressure / temperature limits

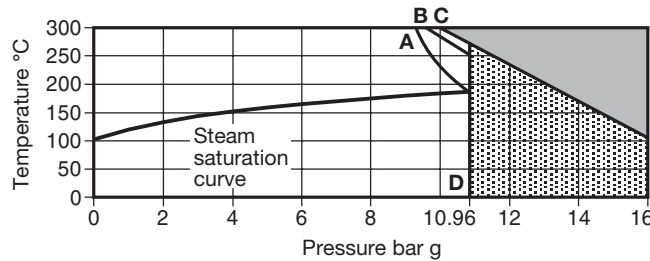
MFP14



MFP14S



MFP14SS



The product **must not** be used in this region.

For use in this region contact Spirax Sarco - As standard this product should not be used in this region or beyond its operating range.

- A - D** Flanged PN16
- B - D** Flanged JIS/KS 10
- C - D** Flanged ANSI 150

Body design conditions		PN16
Maximum motive inlet pressure (steam air or gas)	MFP14 and MFP14S	13.8 bar g
	MFP14SS	10.96 bar g
	MFP14	16 bar g @ 120°C
PMA Maximum allowable pressure	MFP14S	16 bar g @120°C
	MFP14SS	16 bar g @ 93°C
	MFP14	300°C @ 12.8 bar g
TMA Maximum allowable temperature	MFP14S	300°C @ 10.8 bar g
	MFP14SS	300°C @ 9.3 bar g
	Minimum allowable temperature. For lower temperatures consult Spirax Sarco	
PMO Maximum operating pressure for saturated steam service	MFP14	13.8 bar g @ 198°C
	MFP14S	13.8 bar g @ 198°C
	MFP14SS	10.96 bar g @ 188°C
TMO Maximum operating temperature for saturated steam service	MFP14	198°C @ 13.8 bar g
	MFP14S	198°C @ 13.8 bar g
	MFP14SS	188°C @ 10.96 bar g
Minimum operating temperature. For lower temperatures consult Spirax Sarco		0°C

Total lift or backpressure (static head plus pressure in the return system) which must be below the motive fluid inlet pressure to allow capacity to be achieved:-

Height (H) in metres x 0.0981 plus pressure (bar g) in return line, plus downstream piping friction pressure drop in bar calculated at a flowrate of the lesser of six times the actual condensate rate or 30 000 litres/h.

Recommended filling head above the pump 0.3 m

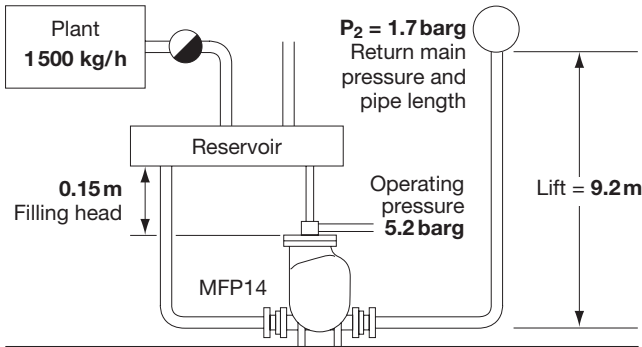
Minimum filling head required 0.15 m (reduced capacity)

Standard pump operates with liquids of specific gravity: 1 down to 0.8

	DN80 x 50	DN50	DN40 and DN25
Pump discharge per cycle	19.3 litres	12.8 litres	7 litres
Steam consumption	20 kg/h maximum	20 kg/h maximum	16 kg/h maximum
Air consumption (Free air)	5.6 dm ³ /s maximum	5.6 dm ³ /s maximum	4.4 dm ³ /s maximum
Temperature limits (Ambient)	-10°C to 200°C	-10°C to 200°C	-10°C to 200°C

How to size and select

Considering the inlet pressure, backpressure and filling head conditions, select the pump size which meets the capacity requirements of the application.



The known data

Condensate load	1 500 kg/h
Steam pressure available for operating pump	5.2 bar g
Vertical lift from pump to the return piping	9.2 m
Pressure in the return piping (piping friction negligible)	1.7 bar g
Filling head on the pump available	0.15 m

Note: It is strongly recommended that the maximum motive/backpressure differential is between 2-4 bar g.

Selection example

Firstly calculate the total effective lift against which condensate must be pumped.

Total effective lift is calculated by adding **vertical lift from the pump to return piping (9.2 m)** to the **pressure in the return piping (1.7 bar g)**. To convert pressure in the return pipe into pressure head, divide it by the conversion factor of 0.0981:-

$$P_2 = 1.7 \text{ bar g} \div 0.0981 = 17.3 \text{ m Pressure head (lift)}$$

The total effective lift then becomes calculable:-
9.2 m + 17.3 m
The total effective lift is 26.5 m

Now that the total effective lift has been calculated, a pump can be selected by plotting the known data onto the graphs on page 5.

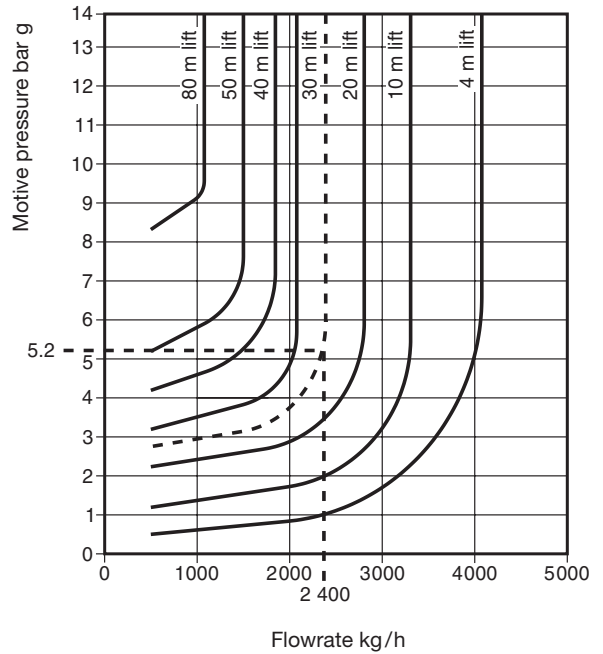
1. Plot a horizontal line from 5.2 bar g (Motive pressure).
2. Plot a line indicating 26.5 m lift.
3. From the point where the motive pressure line crosses the m lift line, drop a vertical line to the X axis.
4. Read the corresponding capacity (2 400 kg/h).

Note: As the filling head is different to 0.3 m, then the capacity calculated above must be corrected by the appropriate factor selected from the table opposite.

Capacity multiplying factors for motive gas supplies (other than steam)

Pump size	% Backpressure Vs Motive pressure (BP/MP)								
	10%	20%	30%	40%	50%	60%	70%	80%	90%
DN25	1.20	1.25	1.30	1.35	1.40	1.43	1.46	1.50	1.53
DN40	1.20	1.25	1.30	1.35	1.40	1.43	1.46	1.50	1.53
DN50	1.02	1.05	1.08	1.10	1.15	1.20	1.27	1.33	1.40
DN80 x DN50	1.02	1.05	1.08	1.10	1.15	1.20	1.27	1.33	1.40

How to use the sizing chart



Example
DN50 pump capacities

Capacity multiplying factors for other filling heads

Filling head metres (m)	Capacity multiplying factors			
	DN25	DN40	DN50	DN80 x DN50
0.15	0.90	0.75	0.75	0.80
0.30	1.00	1.00	1.00	1.00
0.60	1.15	1.10	1.20	1.05
0.90	1.35	1.25	1.30	1.15

For motive fluids other than steam, see the table below.

Final pump selection

The size of pump selected in this case would be **DN50**.

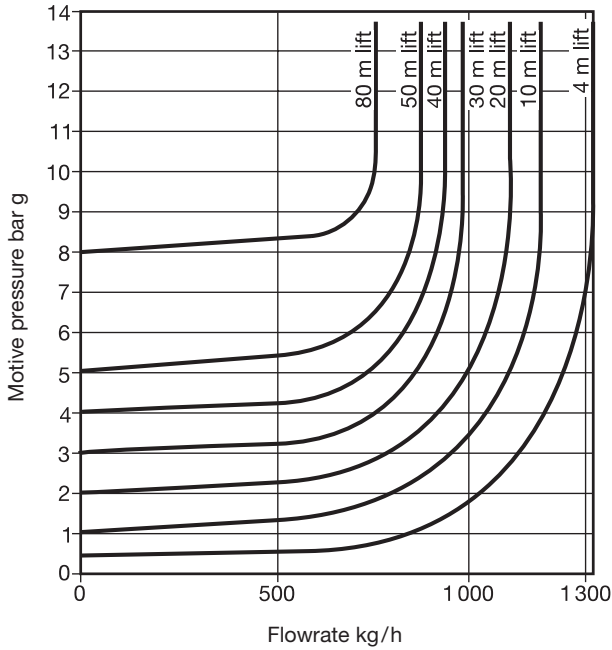
This has the capability to pump:-

$$0.75 \times 2400 \text{ kg/h} = 1800 \text{ kg/h}$$

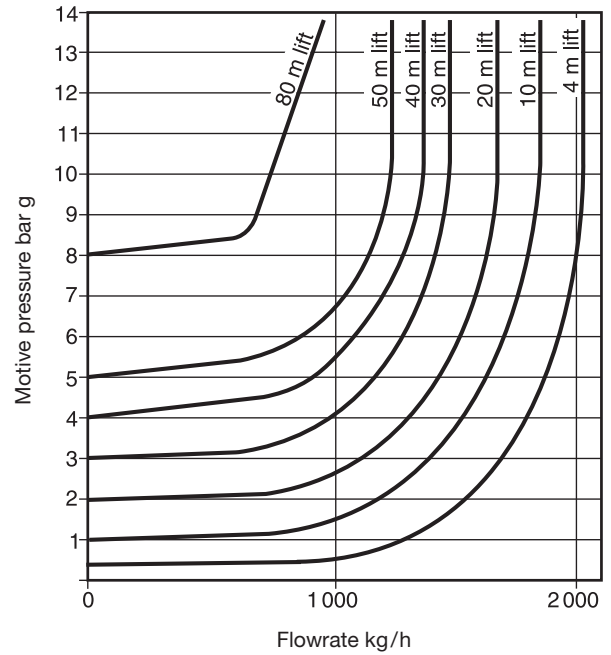
easily coping with a condensate load of 1500 kg/h.

Note: If the motive fluid is not steam, then the capacity above must be multiplied by the appropriate factor in the table below.

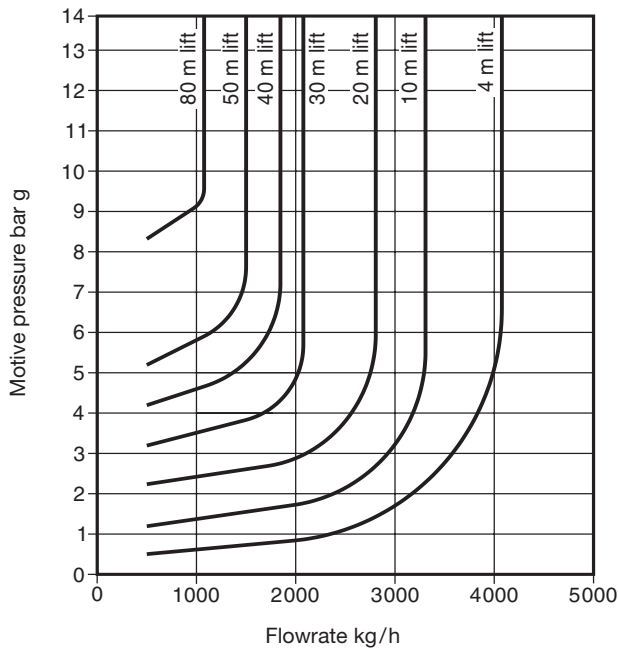
The capacity charts are based on a filling head of 0.3 m.
The lift lines represent the net effective lift (i.e. lift plus frictional resistance).



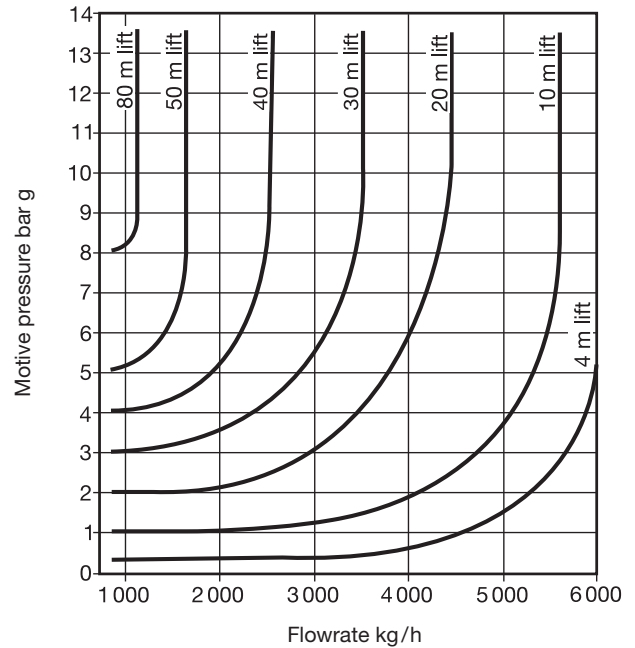
DN25 pump capacities



DN40 pump capacities



DN50 pump capacities



DN80 x DN50 pump capacities

Note: If you are in any doubt about the size of the pump required or if the conditions are unusual we will be glad to advise you if you give us the answers to the following questions:-

1. Nature of liquid to be pumped.
2. Temperature of liquid to be pumped.
3. Quantity to be pumped (kg/h or litres/h).
4. Initial lift horizontal distance and net effective lift (i.e. initial lift less subsequent fall in discharge line).
5. Operating medium (steam, compressed air or gas).
6. Operating pressure available.
7. The pump is generally used to drain water from a vented receiver but under certain circumstances can drain a unit from under steam pressure or vacuum - state which.

Note: To achieve rated capacity, the pump must be installed with check valves as supplied by Spirax Sarco. Use of a substitute check valve may affect the performance of the pump.

Safety information, installation and maintenance

For full details see the Installation and Maintenance Instructions (IM-P136-03) supplied with the product.

Installation note:

For best operation any flash steam must be vented or condensed ahead of the pump inlet.

How to specify

Automatic pumps shall be Spirax Sarco type MFP14 with SG iron bodies and flanged/screwed connections. They shall have stainless steel valve and float assemblies, and a stainless steel disc check valve on the condensate inlet and outlet connections. They shall have screwed steam/compressed air inlet and exhaust connections.

How to order

Example: 1 off Spirax Sarco DN50 MFP14 automatic pump having flanged EN 1092 PN16 connections with BSP motive fluid connections, complete with check valves and 2" BSP screwed boss flanges.

Spare parts

The spare parts available are detailed below. No other parts are available as spares.

Available spares

Cover gasket	2
Float	7
Inlet/outlet check valve (each)	12
Cover and internal mechanism assembly	1, 2, 7 (complete)
Valve set (inlet and exhaust valves and seats)	16, 17, 18, 19, 20, 21
Spring shaft kit (two spring assemblies including anchors and two shafts plus nuts and washers for rear shaft)	10

How to order spares

Always order spares by using the description given in the column headed 'Available spares' and state the size and type of pump.

Example: 1 off Cover gasket for a Spirax Sarco DN50 MFP14 automatic pump.

