



M3 and M6 Plate Heat Exchangers for Residual Blowdown

Description

The M3 and M6 plate heat exchangers have been specifically selected for residual blowdown applications, having all wetted parts in 316 grade stainless steel. They are generally used as part of the Spirax Sarco boiler blowdown heat recovery system.

Principal features:

- Easily dismantled for cleaning without need for removing pipework.
- Clip-on EPDM gaskets.
- All wetted parts in 316 stainless steel.
- ALFA-LAVAL designed heat exchanger.
- High heat transfer efficiency.

Sizes and pipe connections

Screwed 1¼" BSP (BS 21 male), 2" ISO R threads.

Note: Heat exchangers can be supplied with flange connections to special order.

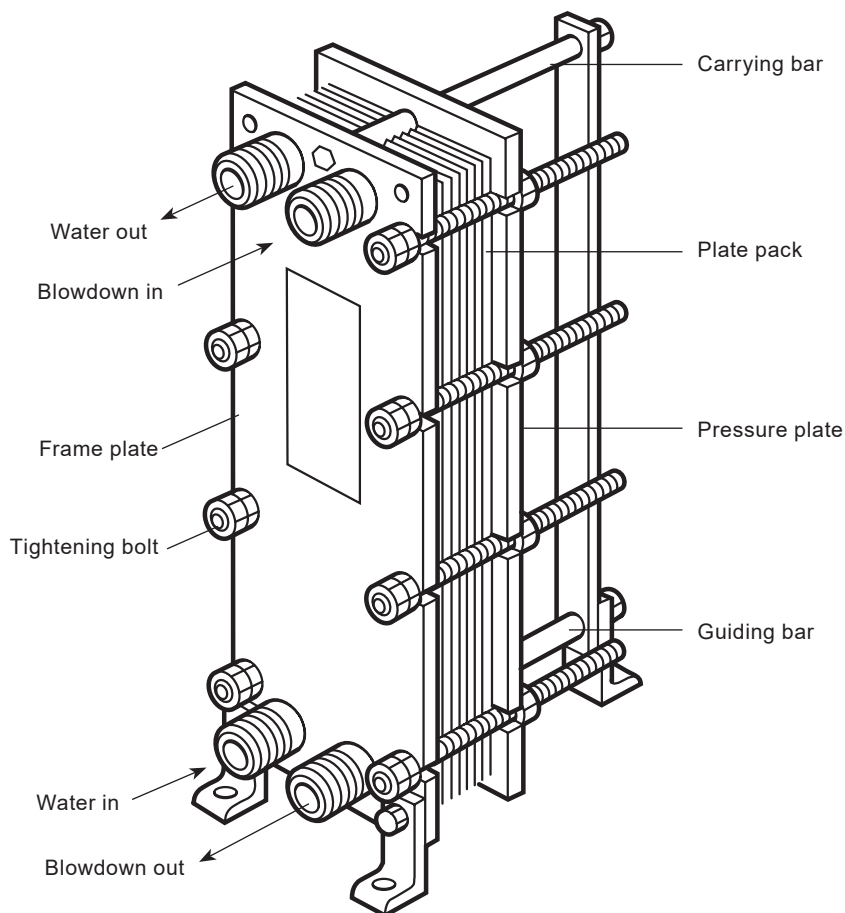
Pressure/temperature limits

Note: The M3 and M6 heat exchangers comply with PED and are SEP products, except M6-33 which is a Category 1 product.

Maximum temperature	140 °C
---------------------	--------

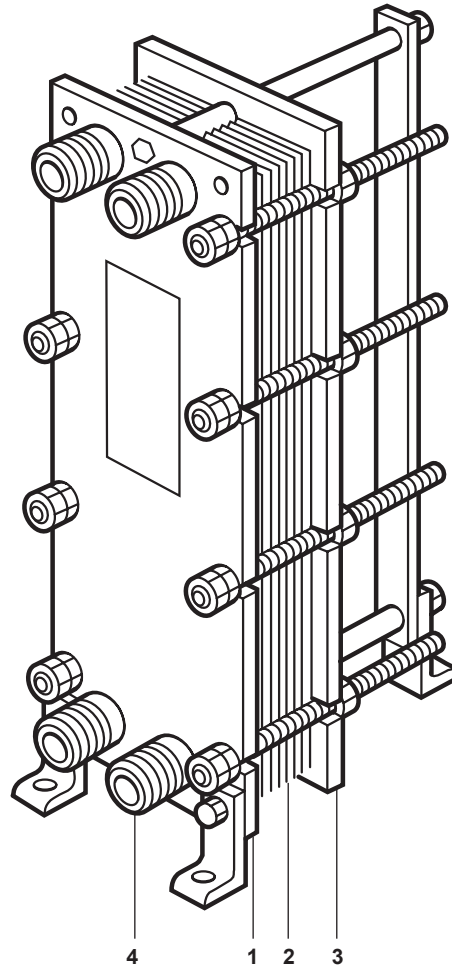
Maximum working pressure	10 bar g @ 140 °C
--------------------------	-------------------

Designed for a maximum cold hydraulic test pressure of 13 bar g



Materials

No.	Part	Material
1	Plates	Stainless steel (316)
2	Gasketing	EPDM
3	Frame	Mild steel
4	Connections	Stainless steel (316)

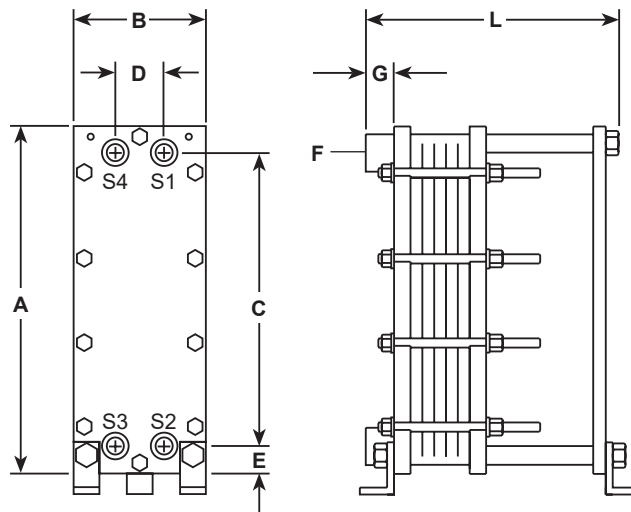


Sizing

When the heat exchanger is used as part of the Spirax Sarco boiler blowdown heat recovery system - refer to the appropriate literature. Otherwise:

Plate heat exchanger Type	Maximum blowdown capacity (kg/h)
M3-8	648
M3-10	860
M3-21	1450
M3-31	2160
M6-12	2750
M6-15	4900
M6-19	5915
M6-21	7110
M6-25	8040
M6-33	11000

Dimensions/weights (approximate) in mm and kg



Size	A	B	C	D	E	F	G	L	Number of plates	Weight	
										Empty	Full of water
M3-8	480	180	357	60	62	1¼"	60	300	8	31	32
M3-10	480	180	357	60	62	1¼"	60	300	10	31	32
M3-21	480	180	357	60	62	1¼"	60	300	21	34	35
M3-31	480	180	357	60	62	1¼"	60	300	31	37	40
M6-12	920	320	640	140	140	2"	60	585	12	94	97
M6-15	920	320	640	140	140	2"	60	585	15	96	100
M6-19	920	320	640	140	140	2"	60	585	19	99	104
M6-21	920	320	640	140	140	2"	60	585	21	100	106
M6-25	920	320	640	140	140	2"	60	585	25	103	110
M6-33	920	320	640	140	140	2"	60	585	33	111	120

Safety information, installation and maintenance

This document does not contain enough information to install the product/system safely. For full details see the Installation and Maintenance Instructions supplied with the product.

Installation notes:

The preferred method of installation is to bolt the heat exchanger rigidly to the floor, in a vertical position. We recommend the use of a swan neck on the primary outlet (S2) to ensure the heat exchanger does not dry out - this can otherwise cause problems with debris and can damage the gaskets.

Maintenance note:

An annual inspection is recommended to check for leaking gaskets and the build up of scale and sludge.

Spare parts

Spare plates with integral gaskets are available from Spirax Sarco.

How to order

Example: 1 off M6-23 plate heat exchanger having 2" screwed ISO R connections.