



M10Si ISO Automation Ball Valve DN1¼" to DN2½"

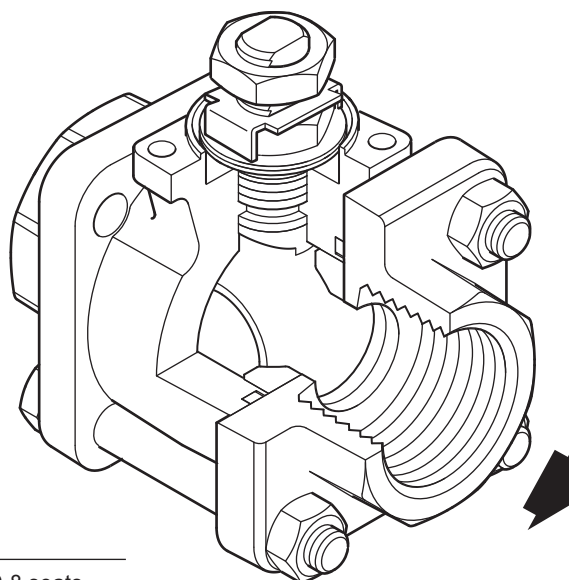
Description

The M10Si ISO Automation three-piece body ball valve has ISO mounting as standard. It is designed for use as an automated isolating valve, not a control valve, on applications that use steam and other industrial fluids for services ranging from vacuum to the higher temperatures and pressures.

The M10Si ISO Automation ball valve is specifically designed for pneumatic or electric actuation and not manual operation and can be serviced without removing the valve from the pipeline (screwed and welded versions only).

ISO mounting

The integral ISO body mounting allows the valve to be automated without losing seal integrity, as the body does not require disassembly. Manual to remote control may therefore be easily accomplished by the ISO range of Spirax Sarco ball valves.



Available types

M10Si2_ _ ISO Automation	Zinc plated carbon steel body, PDR 0.8 seats.
M10Si3_ _ ISO Automation	Stainless steel body, PDR 0.8 seats.
M10Si4_ _ ISO Automation	Complete stainless steel, PDR 0.8 seats.

Note: The nomenclature will be followed with either **FB** (full bore) or **RB** (reduced bore).

Standards

This product fully complies with the requirements of the Pressure Equipment Directive (PED) and carries the **CE** mark when so required.

Certification

This product is available with certification to EN 10204 3.1.

Note: All certification/inspection requirements must be stated at the time of order placement.

Sizes and pipe connections

¼", ⅜", ½", ¾", 1", 1¼", 1½", 2", (2½" only available with reduced bore) screwed BSP, BSPT, NPT, BW, SW full bore and reduced bore. DN15 to DN50 (DN65 only available with reduced bore) flanged EN 1092 PN40, ASME 150 and ASME 300 full bore and reduced bore.

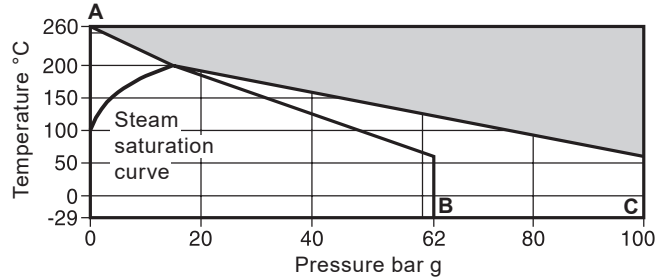
Options

- Self-venting ball.
- Extended stems 50 mm (2") and 100 mm (4") to allow full insulation.
- Oval handle for confined spaces. Ideal for trap modules.

Technical data

Flow characteristic	Modified linear
Port	Full and reduced bore versions
Leakage test procedure to ISO 5208 (Rate A)/EN 12266-1 (Rate A)	
Antistatic device	Complies with ISO 7121 and BS 5351

Pressure/temperature limits



The product **must not** be used in this region.

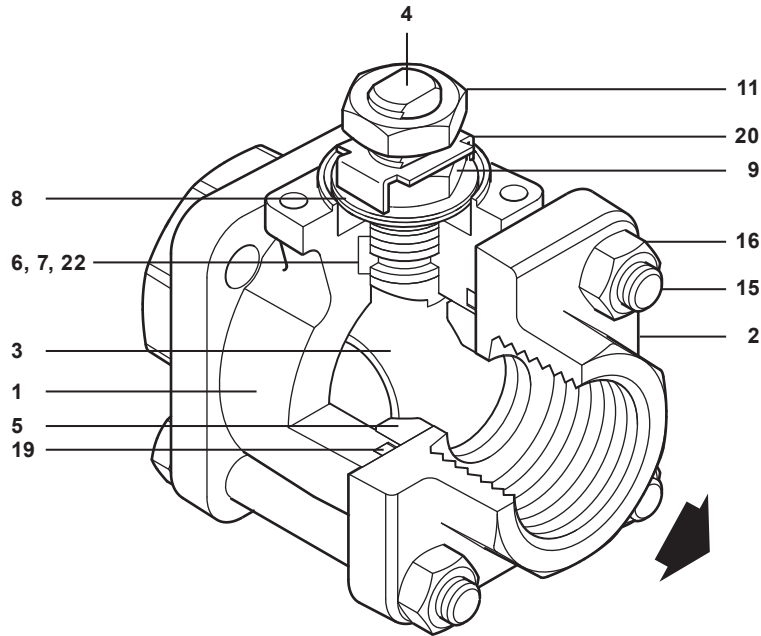
A - B 2" FB and 2½" RB only

A - C ¼" - 1½" FB, RB and 2" RB

Note: The flange standard may restrict the maximum operating pressure. Please check with Spirax Sarco.

Body design conditions	PN100
PMA Maximum allowable pressure	100 bar g @ 60 °C
TMA Maximum allowable temperature	260 °C @ 0 bar g
Minimum allowable temperature	-29 °C
PMO Maximum operating pressure for saturated steam service	17.5 bar g
TMO Maximum operating temperature	260 °C @ 0 bar g
Minimum operating temperature	-29 °C
Note: For lower operating temperatures consult Spirax Sarco	
ΔPMX Maximum differential pressure is limited to the PMO	
Designed for a maximum cold hydraulic test pressure of	150 bar g

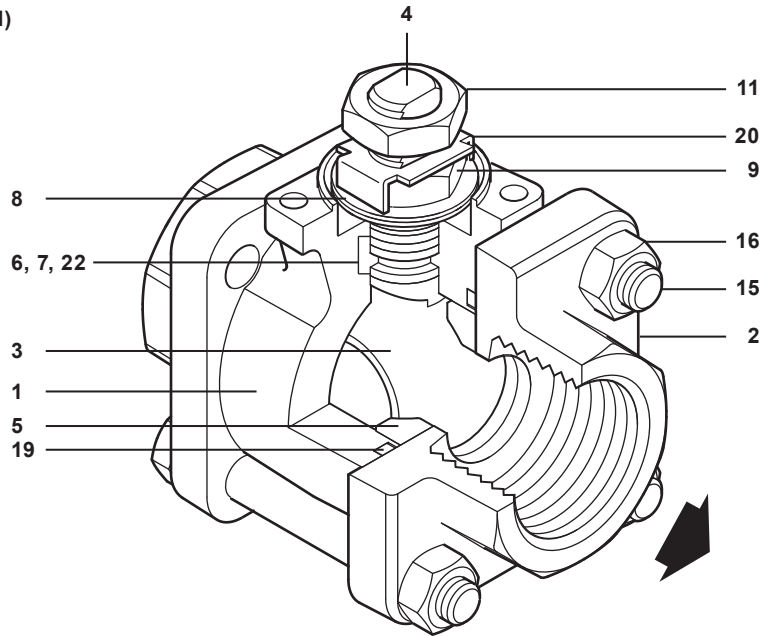
Materials



No.	Part	Material	
1	Body	M10Si2 ISO Automation	Zinc plated carbon steel
		M10Si3 ISO Automation	Stainless steel
		M10Si4 ISO Automation	Stainless steel
2	Cap	M10Si2 ISO Automation	Zinc plated carbon steel
		M10Si3 ISO Automation	Stainless steel
		M10Si4 ISO Automation	Stainless steel
3	Ball	Stainless steel	AISI 316
4	Stem	Stainless steel	AISI 316
5	Seat	Carbon/graphite reinforced PTFE	PDR 0.8
6	Stem seal	Reinforced PTFE antistatic	
7	Separator	M10Si2 ISO Automation	Zinc plated carbon steel
		M10Si3 ISO Automation	Stainless steel
		M10Si4 ISO Automation	Stainless steel
8	Belleville washer	Stainless steel	AISI 301
9	Nut	M10Si2 ISO Automation	Zinc plated carbon steel
		M10Si3 ISO Automation	Stainless steel
		M10Si4 ISO Automation	Stainless steel
10	Name-plate - DN (Not shown)	Stainless steel	AISI 430
11	Stem nut	M10Si2 ISO Automation	Zinc plated carbon steel
		M10Si3 ISO Automation	Stainless steel
		M10Si4 ISO Automation	Stainless steel

Materials continued on next page

Materials (continued)



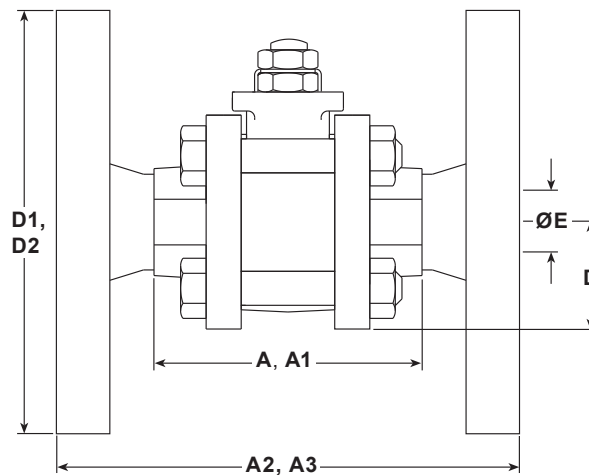
No.	Part	Material	
13	Name-plate (Not shown)	Stainless steel	AISI 430
15	Bolts	M10Si2 ISO Automation	Zinc plated carbon steel
		M10Si3 ISO Automation	Grade 5
		M10Si4 ISO Automation	Stainless steel
16	Nuts	M10Si2 ISO Automation	Zinc plated carbon steel
		M10Si3 ISO Automation	SAE 1010
		M10Si4 ISO Automation	Stainless steel
17	Studs	M10Si4 ISO Automation	Stainless steel
Note: Item 17 can not be shown as it is only applicable to welded versions			
19	Body/cap gasket - 'O' ring	EPDM geothermal	
20	Nut locker	Stainless steel	AIS 316
22	Stem seal	PEEK	

Dimensions (approximate) in mm
Reduced bore

Size	A	A1	A2	A3	D	D1	D2	E
¼"	56	52	-	-	22	-	-	8
⅜"	56	52	-	-	22	-	-	8
½"	63	52	108	130	24	89	95	11
¾"	68	60	117	150	26	98	105	14
1"	86	84	127	160	31	108	115	21
1¼"	99	94	140	180	37	118	140	25
1½"	108	102	165	200	41	127	150	31
2"	124	118	178	230	48	152	165	38
2½"	152	152	-	-	57	-	-	51

Full bore

Size	A	A1	A2	A3	D	D1	D2	E
¼"	56	58	-	-	22	-	-	8
⅜"	63	60	-	-	24	-	-	11
½"	68	64	-	130	26	-	95	14
¾"	86	84	-	150	31	-	105	21
1"	99	98	-	160	37	-	115	25
1¼"	108	106	-	180	41	-	140	31
1½"	124	124	-	200	48	-	150	38
2"	152	152	-	230	57	-	165	51



- A:** Scrd and BW
- A1:** SW
- A2:** Flanged ASME 150
- A3:** Flanged PN40
- D:** Scrd, BW, SW
- D1:** Flanged ASME 150
- D2:** Flanged PN40
- E:** All versions

Weights (approximate) in kg

Size	Reduced bore			Full bore	
	Scrd/BW/SW	PN40	ASME 150	Scrd/BW/SW	PN40
¼"	0.65	-	-	0.65	-
⅜"	0.65	-	-	0.72	-
½"	0.72	2.30	1.77	0.95	2.60
¾"	0.95	3.20	2.35	1.60	3.80
1"	1.60	4.20	3.47	2.05	4.70
1¼"	2.05	5.70	4.47	2.75	6.40
1½"	2.75	6.80	5.96	4.25	8.30
2"	4.25	9.50	9.16	7.50	12.80
2½"	7.50	-	-	-	-

K_v values

Size	¼"	⅜"	½"	¾"	1"	1¼"	1½"	2"	2½"
Reduced bore	2.5	6.8	6	10	27	49	70	103	168
Full bore	2.5	6.8	17	36	58	89	153	205	-

For conversion:
 C_v (UK) = $K_v \times 0.963$
 C_v (US) = $K_v \times 1.156$

Operating torque (N m)

Size	1/4"	3/8"	1/2"	3/4"	1"	1 1/4"	1 1/2"	2"	2 1/2"	
Reduced bore	3.25	3.25	3.25	5.50	13.25	20	50	60	75	The indicated torque values are for valves frequently operated, that are submitted to a maximum differential pressure of 40 bar. Valves that are subject to long static periods, may require greater break-out torque.
Full bore	3.25	3.25	5.50	13.25	20	50	60	75	-	

Safety information, installation and maintenance

For full details see the Installation and Maintenance Instructions supplied with the product.

How to order example:

1 off Spirax Sarco 1/2" screwed BSP M10Si2FB ISO Automation ball valve.

Spare parts

The spare parts available are shown in solid outline. Parts drawn in a grey line are not supplied as spares.

Available spare

Seat, seals and body gasket set

5, 6, 19, 22

How to order spares

Always order spares by using the description given in the column headed 'Available spare' and state the size and type of ball valve.

Example: 1 - Seat, seals and body gasket set for a Spirax Sarco 1/2" M10Si2FB ISO Automation ball valve.

