



LSB31, LSB32, LSB33, LSB34, LSB71, LSB72, LSB73 and LSB74

Limit Switch Boxes for BVA300 Series Actuators

Description

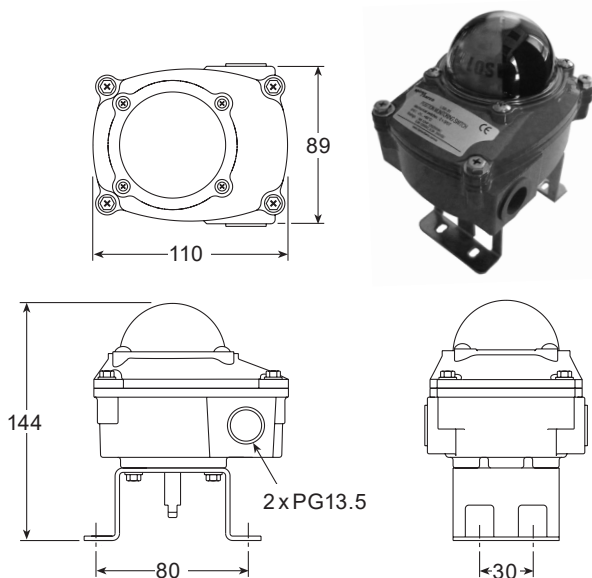
LSB limit switch boxes are normally used for indicating valve open or valve closed position. They also allow switching points to be adjustable over the full range of actuators. There is an open/closed valve position indicator mounted at the end of the switch box axis, at the top of the cover. LSB's include a stainless steel linkage kit for direct mounting to BVA300 series actuators.

Available limit switch boxes:

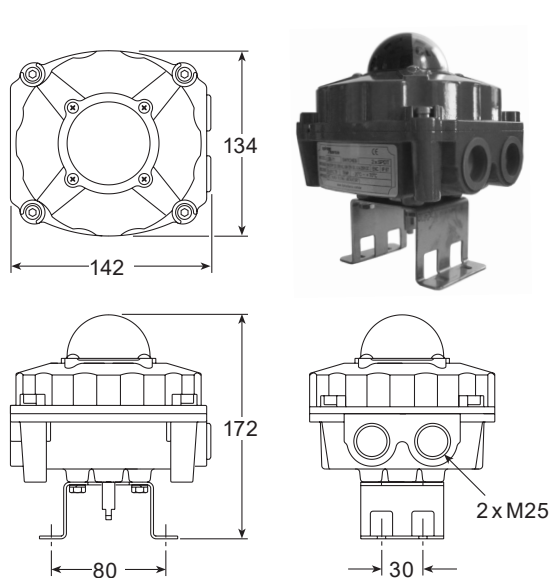
LSB31	Contact switches (2 x SPDT)	
LSB71	Contact switches (2 x SPDT)	Explosion proof Exd IIC T6
LSB32	10 - 30 Vdc 3-wire proximity sensors	(2 x Autonics PS17-5DNU, PNP)
LSB72	10 - 30 Vdc 3-wire proximity sensors	(2 x Autonics PS17-5DNU, PNP) Explosion proof Exd IIC T6
LSB33	8 Vdc 2-wire proximity sensors	(2 x P&F NJ2-V3-N; intrinsically safe)
LSB73	8 Vdc 2-wire proximity sensors	(2 x P&F NJ2-V3-N; intrinsically safe) Explosion proof Exd IIC T6
LSB34	5 - 60 Vdc 2-wire proximity sensors	(2 x P&F NBB3-V3-Z4)
LSB74	5 - 60 Vdc 2-wire proximity sensors	(2 x P&F NBB3-V3-Z4) Explosion proof Exd IIC T6

Dimensions (approximate) in mm

LSB31, LSB32, LSB33 and LSB34



LSB71, LSB72, LSB73 and LSB74



Technical data

	Standard		Optional
Protection	LSB3_	IP67	IP68
	LSB7_	Explosion proof Exd IIC T6, IP67	IP68
Outer cover	Epoxy - polyester		Nylon
Room temperature	-20 °C to +80 °C		-40 °C to +100 °C
Connection socket	8 terminals		
Position indicator	0° to 90° dome type		3-way L-port, T-port
Mounting kit	NAMUR, SS1 or SS2 stainless steel		SS3, MT1
Switch sensor	Mechanical 2-SPDT	LSB3_	Proximity sensors - P&F Autonics, Magnetic
			Magnetic sensor
		LSB7_	DPDT switches
			Proximity sensors -
			P&F Autonics, Magnetic
			Magnetic sensors
		Position transmitter (output 0-1 Kohm, 4-20 mA dc)	
Case	Cast aluminium		Stainless steel 316L *
Nomenclature	LSB3_	LSB7_S	
	LSB7_	LSB7_S	

* Stainless Steel case not available for LSB3_