



LCS3050

Low Water Level Switch for two probes

Description

The level switch LCS3050 is used in conjunction with level probe LP40 to limit the water level in steam boilers and (pressurised) hot-water plants. Water level limiters switch off the heating when the water level falls below the set minimum level (low water).

The level switch LCS3050 is designed for connecting one or two level probes.

When the water level falls below the low level the level probes are exposed and a low level alarm is triggered in the level switch. This switchpoint is determined by the length of the probe rod (level probe LP40). After the de-energizing delay has elapsed, the two output contacts of the level switch will open the safety circuit for the heating. The switching-off of the heating is interlocked in the external safety circuit and can only be deactivated when the level probe enters the water again.

In addition, two signal outputs for external signalling devices close instantaneously.

An alarm will also be raised if a malfunction occurs in the level probe and/or the electrical connection. An automatic self-testing routine monitors the safety functions in the level switch and the level probes. In the event of a malfunction the safety circuit opens instantaneously and switches the heating off.

Alarm and error messages are indicated by LEDs and a signal output for each level probe is energized without delay.

Alarms can be simulated by pressing a test button.

Directives and Standards

Pressure Equipment Directive (PED) 2014/68/EU

Water level limiters are safety accessories as defined in the Pressure Equipment Directive (PED). The level switch LCS3050 in conjunction with level probe LP40 are EU type approved according to EN 12952/EN 12953. These Directives state, among other things, the requirements made on limiting systems and equipment for steam boiler plants and (pressurised) hot-water installations.

Functional Safety acc. to IEC 61508

The level switch LCS3050 is certified acc. to IEC 61508 only if used in combination with level probe LP40. This standard describes the functional safety of safety-related electrical/electronic/programmable electronic systems. The equipment combination LP40 + LCS3050 corresponds to a type B subsystem with Safety Integrity Level (SIL) 3.

VdTÜV Bulletin "Wasserstand 100" (Water Level 100)

The level switch LCS3050 in conjunction with the level probe LP40 is type approved according to the VdTÜV Bulletin "Water Level 100". The VdTÜV Bulletin "Wasserstand (Water Level) 100" specifies the requirements made on water level control and limiting equipment for boilers.

LV (Low Voltage) Directive and EMC (Electromagnetic Compatibility)

The level switch LCS3050 meets the requirements of the Low Voltage Directive 2014/35/EU and the EMC Directive 2014/30/EU.

ATEX (Atmosphère Explosible)

According to the European Directive 2014/34/EU the level switch LCS3050 must not be used in potentially explosive areas.



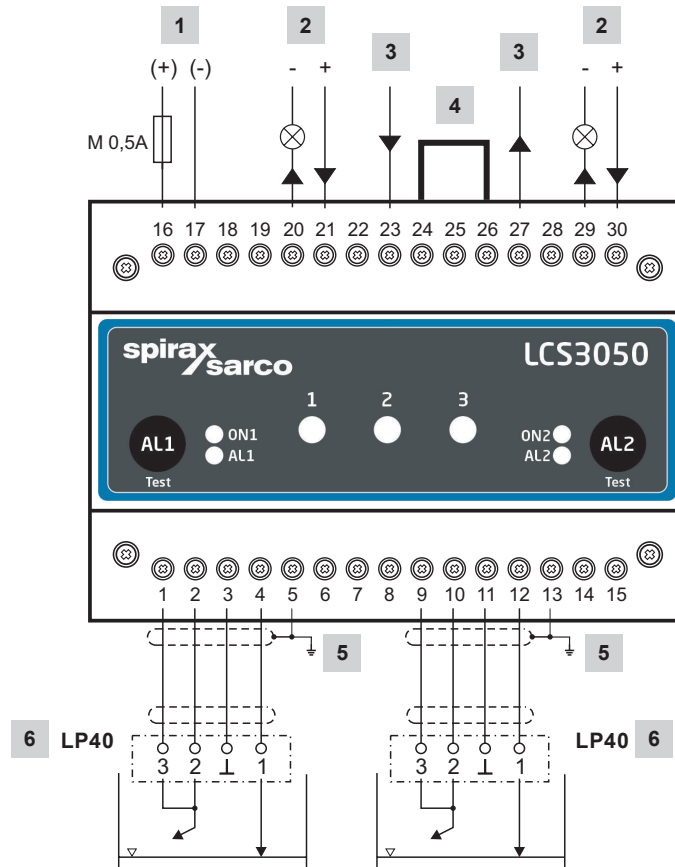
Typical Applications

- Steam boilers
- Pressurised hot-water plants

Technical data LCS3050

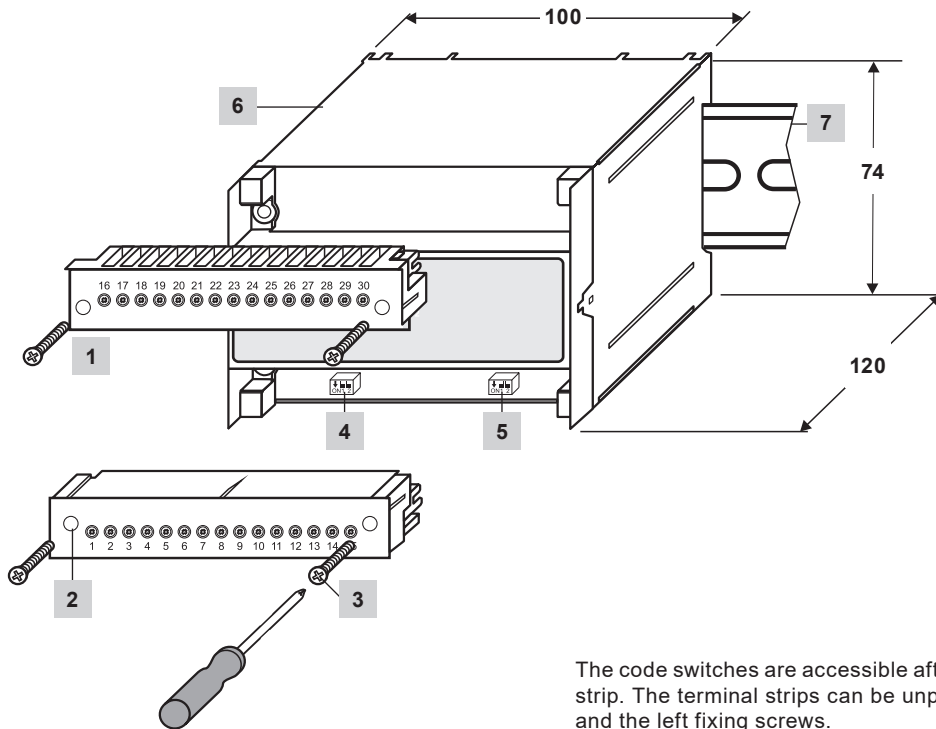
Supply voltage	24 Vdc +/- 20%
Fuse	External 0.5 A (semi-delay)
Power consumption	7 W
Electrical connection of level probe	2 inputs for level probe LP40, 4 poles, with screen
Response sensitivity (electrical conductivity of water at 25 °C)	> 10 ... < 10000 µS/cm
Safety circuit	2 volt-free make contacts, 6 A 250 Vac/30 Vdc cos ϕ = 1
	Delay of response: 3 seconds
	Provide inductive loads with RC combinations according to manufacturer's specification to ensure interference suppression
Signal output	2 volt-free outputs for instantaneous external signalling, 24 Vdc, max. 100 mA (semiconductor output)
Indicators and adjustors	2 buttons for test and diagnosis
	2 red/green LEDs for indicating the operating mode and alarm
	3 red LEDs for diagnosis
	2 two-pole code switches for setting the number of probes
Housing	Housing material: base: black polycarbonate; front: grey polycarbonate
	Conductor size: 1 x 4.0 mm ² solid per wire or
	1 x 2.5 mm ² per stranded wire with sleeve to DIN 46228 or
	2 x 1.5 mm ² per stranded wire with sleeve to DIN 46228
	Terminal strips can be detached
	Fixing of housing: Mounting clip on supporting rail TH 35, EN 60715
Electrical safety	Degree of contamination: 2, overvoltage category III to EN 61010-01
Protection	Housing: IP 40 to EN 60529
	Terminal strip: IP 20 to EN 60529
Weight	approx. 0.5 kg
Ambient temperature	At moment of switch on: 0 ° to 55 °C In operation: -10° to 55 °C
Transport temperature	-20 to +80 °C (<100 hours), defrosting time of the de-energized equipment before it can be put into operation: 24 hours
Storage temperature	-20 to +70 °C, defrosting time of the de-energized equipment before it can be put into operation: 24 hours
Relative humidity	max. 95%, no moisture condensation
Site altitude	max. 2000 m

Wiring diagram



Item	
1	Supply voltage
2	Signal output 1/2 for external alarm 24 Vdc, 100 mA (semiconductor output)
3	Safety circuit, input and output
4	Wire link, on site, when used as water level limiter according to EN 12952 / EN 12953
5	CEP Central earthing point in control cabinet
6	Level probe LP40

Dimensions (approximate) in mm



The code switches are accessible after removing the lower terminal strip. The terminal strips can be unplugged after undoing the right and the left fixing screws.

Item	
1	Upper terminal strip
2	Lower terminal strip
3	Fixing screws (cross recess head screws M3)
4	Code switch for switching on/off level probe 1/2
5	Code switch for switching on/off level probe 1/2
6	Enclosure
7	Supporting rail type TH 35, EN 60715

How to specify

Low Water Level Switch for one or two probes, 2 volt-free make contacts for safety circuit, 2 signal outputs for external alarm, supply voltage 24 V DC, 7 W.

How to order

Example: 1 off Spirax Sarco LCS3050 level switch.