



## IPC6 and IPC6 ATEX Convertor



### Description

The IPC6 convertor is a two wire, Wall, DIN rail or 2" pipe mount (option), pneumatic convertor requiring a 4 - 20 mA (0-10 Vdc only on Safe version) input signal to provide a pneumatic air output signal.

### Features

- Field Reversible to provide output which is directly or inversely proportional to the input signal.
- 3 output pressure ranges to meet final control element requirements

### Materials

Part	Material
Body and housing	Aluminium
Trim	Zinc plated steel
Diaphragm	Nitrile
Orifice	Nickle plated brass
Wall bracket	Steel zinc plated
Din rail bracket	Plastic

## Technical data

Input signal range (See Table 1 below)	
Output signal range	Dependant on version selected
Supply air pressure	Minimum 1.5 bar g (20 psi g)
	Maximum 8.0 bar g (120 psi g)
Flow rate	18.7 m <sup>3</sup> /h
Enclosure rating	IP65
Air consumption	0.17 Nm <sup>3</sup> /h (average)
Pneumatic connections	¼" NPT
Electrical connections	EN 175301-803
Working temperature	-40 °C to +70 °C
Input impedance (See Table 1 below)	
Maximum current	93 mA
Linearity	+0.5% FS
Hysteresis	0.25% FS

The IPC6-ATEX convertor is certified as intrinsically safe to:

- ATEX/IECEx II 1 G D Ex ia IIC T4 Ga/Ex ia IIIC T135 °C Da (Ta = -40 °C to +70 °C).
- CCC/NEPSI Ex ia IIC T4 Ga/Ex ia IIIC T135 °C Da (Ta = -40 °C to +70 °C).
- UKEX II 1 G D Ex ia IIC T4 Ga/Ex ia IIIC T135 °C Da (Ta = -40 °C to +70 °C).

**Table 1**

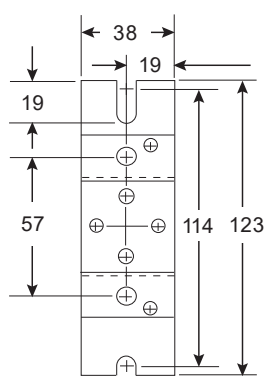
Output range	psi g	3 - 15	3 - 27	6 - 30
	bar	0.2 - 1.0	0.2 - 1.8	0.4 - 2.0
	kPa	20 - 100	20 - 180	40 - 200
Supply pressure	psi g	20 - 120	32 - 120	35 - 120
	bar	1.5 - 8.0	2.2 - 8.0	2.4 - 8.0
	kPa	150 - 800	220 - 800	240 - 800
Minimum span	psi g	5	10	10
	bar	0.35	0.7	0.7
	kPa	35	70	70
Impedance (OHMS)	4-20 mA	197	204	204
	0-10 Vdc	1100	1064	1064

**Note:** 0-10 Vdc not available for hazardous area use.

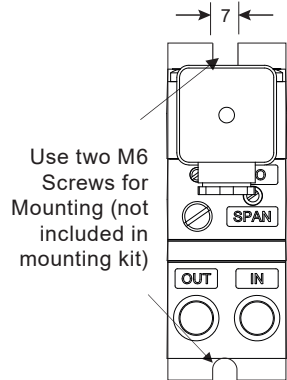
## Dimensions

The IPC6 is supplied with a wall mounting kit and a DIN Rail Mounting Kit.  
Mounting Kit PMK is available when installing the unit on a 2" pipe

### Mounting kit (Included with unit)



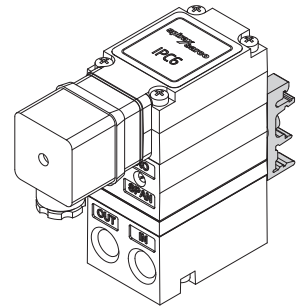
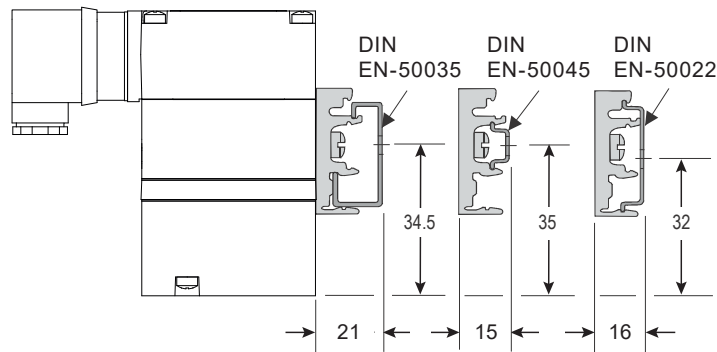
Use two M6  
Screws for  
Mounting (not  
included in  
mounting kit)



### Mounting Kit

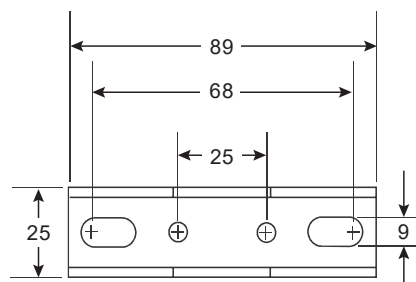
Includes the following:  
Two 10-32 x 5/16" Screws  
Mounting Bracket Two 1/4" NPT Pipe Plugs  
Two 5 mm thick washers

### DIN Rail mounting kit (Included with unit)



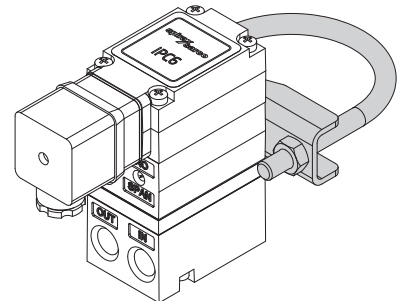
**Din Rail Mounting  
Configuration**  
shown with Model IPC6  
and DIN EN-50045

### Mounting kit (Sold separately)



**Mounting Kit PMK**  
includes the following:  
Mounting Bracket 2" Pipe Clamp  
Two 10-32 x 5/16" Screws

### 2" Pipe Mounting Configuration shown with Model IPC6



## Weight

IPC6 including all mountings apart from PMK - 0.79 kg  
Mounting Kit PMK- 0.2 kg.

## Safety information, installation and maintenance

Full details are contained in the appropriate Installation and Maintenance Instructions.

### Electro-pneumatic convertor options

<b>Basic model</b>	Aluminium enclosure EN 17 5301-803 electrical connection, IP65 Operating temperature -40 °C to +70 °C Wall & DIN rail mounts included	<b>IPC6</b>
<b>Hazardous area protection</b>	Intrinsically safe (UKEX, ATEX, IECEx)	<b>A</b>
	Intrinsically safe (CCC, NEPSI, UKEX, ATEX, IECEx)	<b>C</b>
	Safe area only	<b>S</b>
<b>Electrical input</b>	0-10 Vdc (Safe area only)	<b>0</b>
	4-20 mA	<b>1</b>
<b>Air output range</b>	0.2 - 1.0 bar g (3 - 15 psi g)	<b>0</b>
	0.2 - 1.8 bar g (3 - 27 psi g)	<b>1</b>
	0.4 - 2.0 bar g (6 - 30 psi g)	<b>2</b>
<b>Non standard features</b>	Standard model	<b>A</b>

Ordering code example:     -

### Electro-pneumatic convertor mount option

<b>2" Pipe mounting kit</b>	<b>PMK</b>
-----------------------------	------------

### Customer requirement example:

1 off Electro-pneumatic convertor, ATEX intrinsically safe protection, having 0.2 - 1.0 bar g output range.

**How to order example:** 1 off Spirax Sarco IPC6A10-A Electro-pneumatic convertor.