



IPC6 and IPC6 ATEX Convertor



Description

The IPC6 convertor is a two wire, Wall, DIN rail or 2" pipe mount (option), pneumatic convertor requiring a 4 - 20 mA (0-10 Vdc only on Safe version) input signal to provide a pneumatic air output signal.

Features

- Field Reversible to provide output which is directly or inversely proportional to the input signal.
- 3 output pressure ranges to meet final control element requirements.

Materials

Part	Material
Body and housing	Aluminium
Trim	Zinc plated steel
Diaphragm	Nitrile
Orifice	Nickle plated brass
Wall bracket	Steel zinc plated
Din rail bracket	Plastic

Technical data

Input signal range (See Table 1 below)	
Output signal range	Dependant on version selected
Supply air pressure	Minimum 1.5 bar g (21.8 psi g) Maximum 8.0 bar g (116 psi g)
Flow rate	18.7 m ³ /h (11.0 SCFM)
Enclosure rating	IP65
Air consumption	0.17 Nm ³ /h (0.10 SCFM) (average)
Pneumatic connections	¼" NPT
Electrical connections	EN 175301-803
Working temperature	-40 °C to +70 °C (-40 °F to 158 °F)
Input impedance (See Table 1 below)	
Maximum current	93 mA
Linearity	+0.5% FS
Hysteresis	0.25% FS

The IPC6-ATEX convertor is certified as intrinsically safe to:

- ATEX/IECEx II 1 G D Ex ia IIC T4 Ga/Ex ia IIIC T135 °C Da (Ta = -40 °C to +70 °C) (-40 °F to 158 °F).
- CCC/NEPSI Ex ia IIC T4 Ga/Ex ia IIIC T135 °C Da (Ta = -40 °C to +70 °C) (-40 °F to 158 °F).
- UKEX II 1 G D Ex ia IIC T4 Ga/Ex ia IIIC T135 °C Da (Ta = -40 °C to +70 °C) (-40 °F to 158 °F).

Table 1

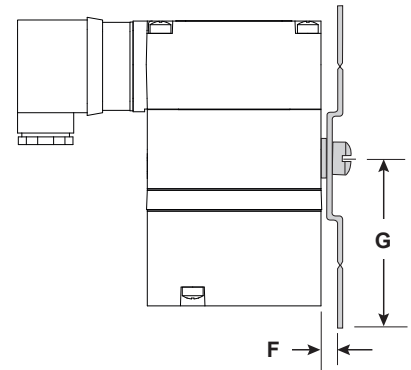
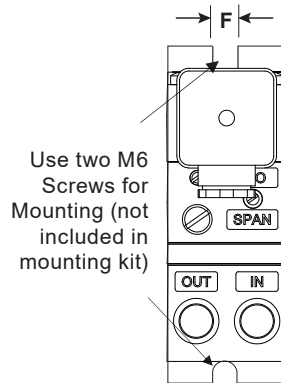
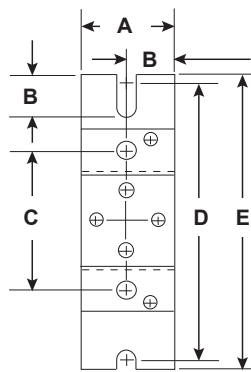
Output range	psi g	3 - 15	3 - 27	6 - 30
	bar	0.2 - 1.0	0.2 - 1.9	0.4 - 2.1
	kPa	21 - 103	21 - 186	41 - 207
Supply pressure	psi g	21 - 120	32 - 120	35 - 120
	bar	1.4 - 8.3	2.2 - 8.3	2.4 - 8.3
	kPa	138 - 827	221 - 827	241 - 827
Minimum span	psi g	5	10	10
	bar	0.3	0.7	0.7
	kPa	34	69	69
Impedance (OHMS)	4-20 mA	197	204	204
	0-10 Vdc	1100	1064	1064

Note: 0-10 Vdc not available for hazardous area use.

Dimensions (approximate) in mm (inches)

The IPC6 is supplied with a wall mounting kit and a DIN Rail Mounting Kit.
Mounting Kit PMK is available when installing the unit on a 2" pipe

Mounting kit (Included with unit)

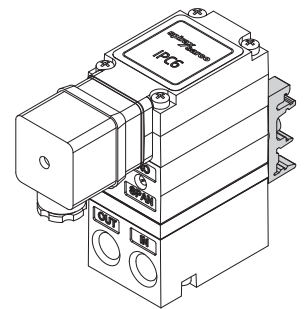
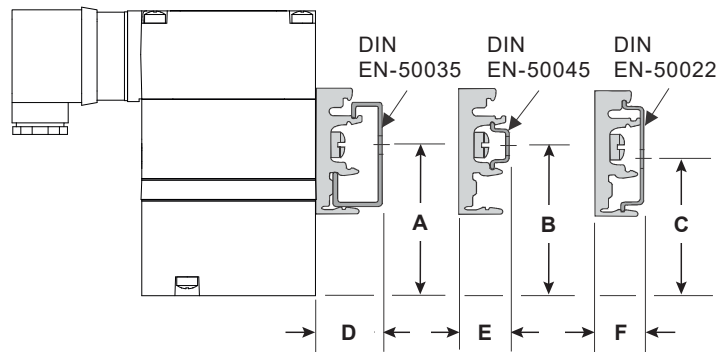


Mounting Kit

Includes the following:
Two 10-32 x 3/16" Screws
Mounting Bracket Two 1/4" NPT Pipe Plugs
Two 5 mm thick washers

A	B	C	D	E	F	G
38 (1.50)	19 (0.75)	57 (2.24)	114 (4.49)	123 (4.84)	7 (0.28)	62 (2.44)

DIN Rail mounting kit (Included with unit)

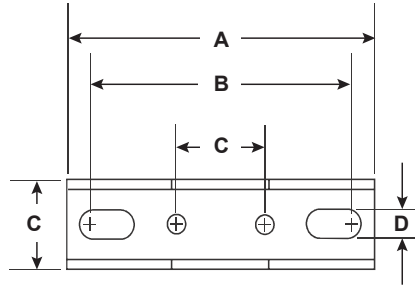


Din Rail Mounting Configuration
shown with Model IPC6
and DIN EN-50045

A	B	C	D	E	F
34.5 (1.36)	35 (1.38)	32 (1.26)	21 (0.83)	15 (0.60)	16 (0.63)

Dimensions (approximate) in mm (inches)

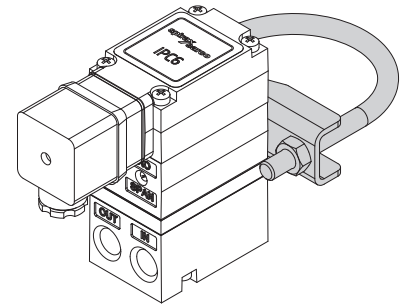
Mounting kit (Sold separately)



A	B	C	D
89 (3.50)	68 (2.68)	25 (0.98)	9 (0.35)

Mounting Kit PMK
includes the following:
Mounting Bracket 2" Pipe Clamp
Two 10-32 x 5/16" Screws

2" Pipe Mounting Configuration shown with Model IPC6



Weight (approximate) in kg (lbs)

IPC6 including all mountings apart from PMK - 0.79 kg (1.74 lb)
Mounting Kit PMK- 0.2 kg (0.44 lb)

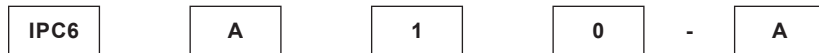
Safety information, installation and maintenance

Full details are contained in the appropriate Installation and Maintenance Instructions.

Electro-pneumatic convertor options

Basic model	Aluminium enclosure EN 17 5301-803 electrical connection, IP65 Operating temperature -40 °C to +70 °C (-40 °F to 158 °F) Wall & DIN rail mounts included	IPC6
Hazardous area protection	Intrinsically safe (UKEX, ATEX, IECEx)	A
	Intrinsically safe (CCC, NEPSI, UKEX, ATEX, IECEx)	C
	Safe area only	S
Electrical input	0-10 Vdc (Safe area only)	0
	4-20 mA	1
Air output range	0.2 - 1.0 bar g (3 - 15 psi g)	0
	0.2 - 1.8 bar g (3 - 26 psi g)	1
	0.4 - 2.0 bar g (6 - 29 psi g)	2
Non standard features	Standard model	A

Ordering code example:



Electro-pneumatic convertor mount option

2" Pipe mounting kit

PMK

Customer requirement example:

1 off Electro-pneumatic convertor, ATEX intrinsically safe protection, having 0.2 - 1.0 bar g (3 - 15 psi g) output range.

How to order example: 1 off Spirax Sarco IPC6A10-A Electro-pneumatic convertor.