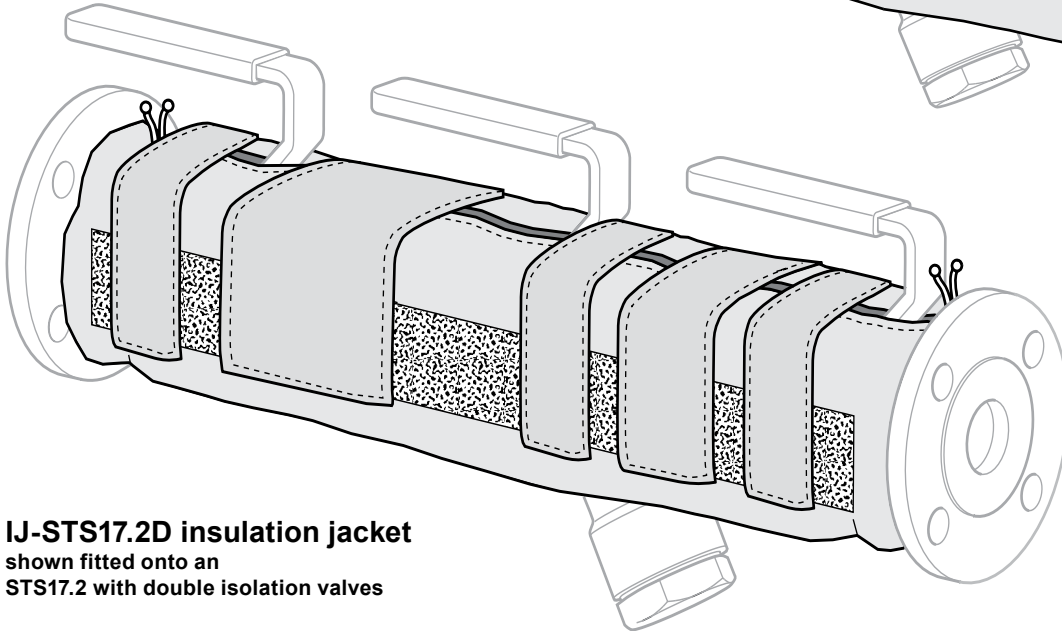
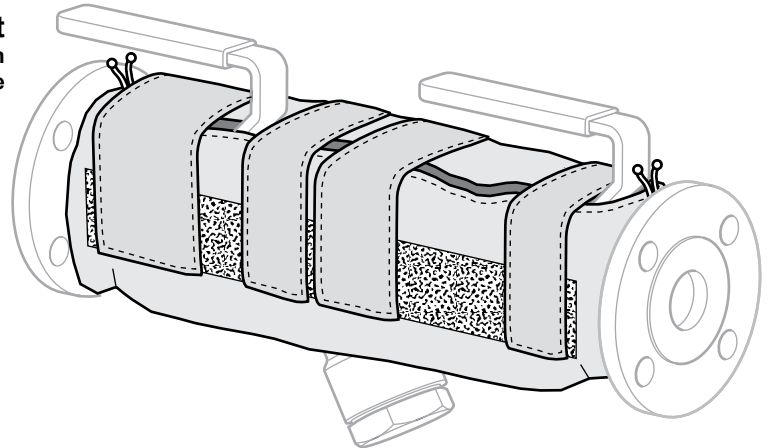




TI-P128-27  
ST Issue 2

# IJ-STS17.2 and IJ-STS17.2D Insulation Jackets for the STS17.2 Steam Trapping Station

IJ-STS17.2 insulation jacket  
shown fitted onto an  
STS17.2 with single isolation valve



IJ-STS17.2D insulation jacket  
shown fitted onto an  
STS17.2 with double isolation valves

## Description

The IJ-STS17.2 and IJ-STS17.2D are a range of insulation jackets for fitting to STS17.2 steam trapping stations. They are a one piece design that insulates all parts of the STS17.2 except for the operating handles and steam trap connection. They are constructed from a silicone rubber class fibre with a mineral fibre insulation, suitable for both indoor and outdoor installations.

### Available types

There are two types of insulation jacket available for the STS17.2 steam trapping station sizes ½" to 1". They are both of a one piece design with velcro and draw cord fastenings for easy installation.

**IJ-STS17.2** to fit onto an STS17.2 with single isolation valve.

**IJ-STS17.2D** to fit onto an STS17.2 with double isolation valves.

## Limiting conditions

Maximum surface temperature of the STS17.2	220°C
Thermal conductivity	0.044 W/m K at 100°C

## Materials

No.	Part	Material
1	Inner and outer cover surface	Silicone rubber coated glass fibre
2	Insulation	Mineral fibre
3	Stitching	Polyester cotton
4	Sealing	Velcro
5	Draw cords	Nylon
6	Label	Nylon

## How to order

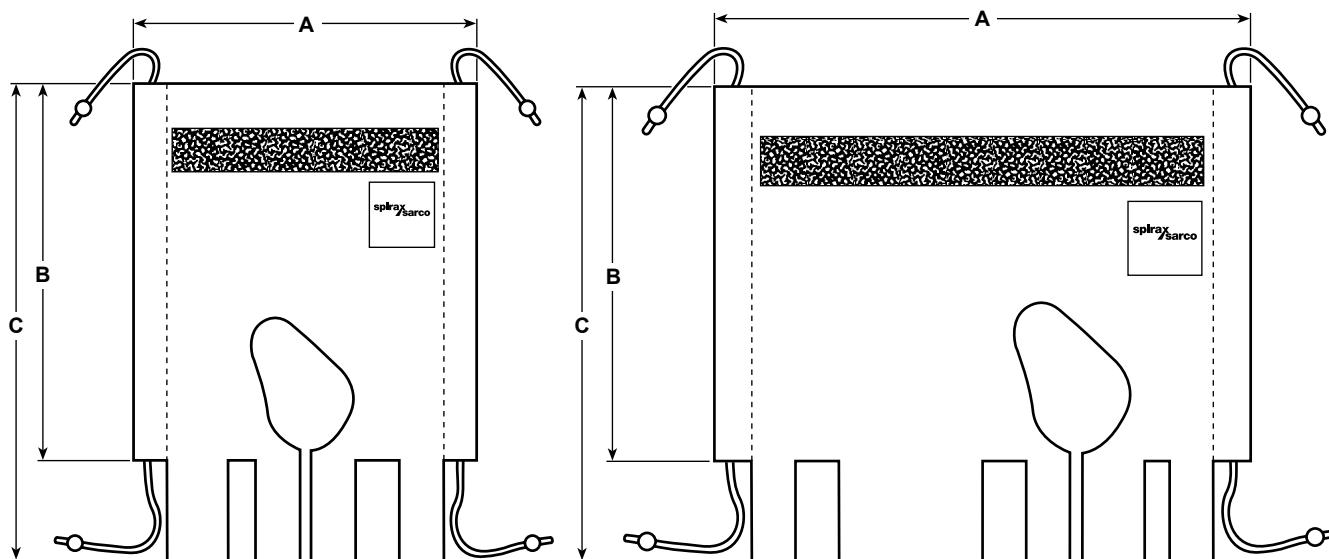
**Example:** 1 off IJ-STS17.2 insulation jacket to fit a ½" STS17.2 steam trapping station.

## Spare parts

There are no spare parts available for the IJ-STS17.2 insulation jackets.

## Dimensions / weights (approximate) in mm and kg

Size		A	B	C	Insulation thickness	Weight
IJ-ST517.2	1/2", 3/4" and 1"	340	350	450	30	0.68 kg
IJ-ST517.2D	1/2", 3/4" and 1"	440	290	370	30	0.68 kg



## Safety information, installation and maintenance

### Installation

Extra care must be taken if the STS17.2 is in operation as it is likely to be operating at steam temperature. Ensure that adequate personal protection equipment is used to avoid injury.

Once the STS17.2 steam trap station has been installed, the insulation jacket can be fitted. Disconnect the Spiratec sensor cable (if fitted, using the product instructions) and wrap the jacket around the STS17.2 steam trap station, from the bottom, with the steam trap universal mounting port passing through the access hole in the jacket. Whilst supporting it's weight secure in position with the Velcro flaps A and B. Ensuring the jacket is centralised and is covering all of the STS17.2 pull and securely tie the draw cords.

If a spiratec sensor or blowdown valve is fitted ensure that the access hole in the bottom of the jacket is inline. Reconnect the spiratec sensor cable. The cable must not be tread along the inside of the jacket touching the STS17.2, as the heat at operating temperature may cause damage.

### Removal

Before removing the jacket, check if the STS17.2 is in service. If it is the surface of the STS17.2 will be hot enough to burn and suitable protective clothing (gloves) should be worn. Removal is the reverse procedure to the above.

### Maintenance

There are no spare parts available for the IJ-ST517.2 insulation jackets.

### Handling

When the jacket is new, the insulation, material is fully enclosed within the inner and outer face and retained by the stitching. In this condition, for handling, no special protective clothing is required.

However, if the inner or outer faces have become damaged or unstitched, so as to expose the insulation material, suitable protective clothing (e.g. gloves, safety glasses, face mask and overalls) should be worn.

### Disposal

This product is not recyclable and is non-combustible. For disposal purposes consider the product to be mineral fibre and dispose of in accordance with local regulations.