



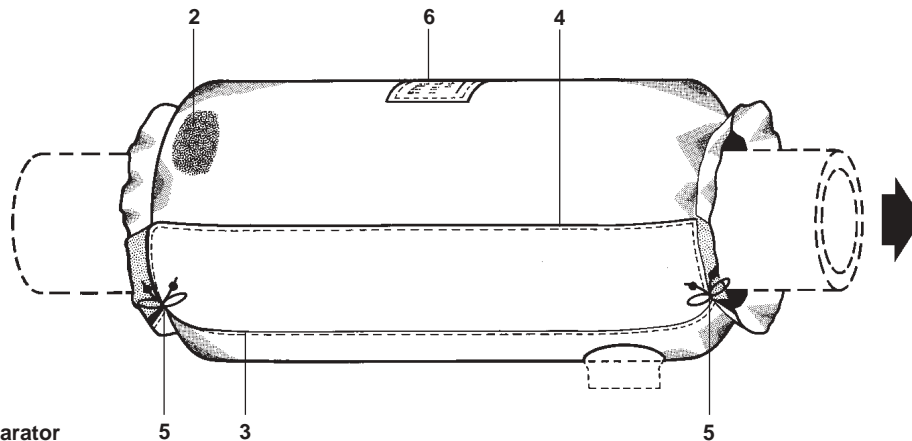
Cert. No. LRQ 0963008

ISO 9001

# spirax sarco

TI-P023-33  
ST Issue 3

## IJ-S2 and IJ-S12 Insulation Jackets for S2 and S12 Separators



**IJ-S2 / IJ-S12**  
shown fitted to a separator

### Description

A range of one piece insulation jackets having velcro fastenings, for fitting to all sizes of screwed S2 and S12 separators. TI-P023-37 gives details of a payback calculator based on the energy saving to be made by fitting an insulation jacket.

### Available types

**IJ-S2** and **IJ-S12** for insulating DN32 to DN50, S2 and S12 separators.

### Limiting conditions

Maximum metal surface temperature	220°C
Thermal conductivity	0.044 W/m K at 100°C

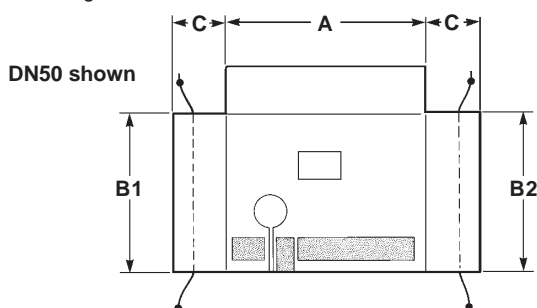
### Materials

No.	Part	Material
1	Inner and outer face	Silicone rubber coated glass fibre
2	Insulation	Mineral fibre
3	Stitching	Polyester cotton
4	Sealing	Velcro
5	Drawcords	Nylon
6	Label	Nylon

### Dimensions /mass (approximate) in mm and kg IJ-S2 and IJ-S12

Size	A	B1	B2	C	Insulation thickness	Mass
DN32 and DN40	410	520	465	53	50	0.84
DN50	650	640	640	53	50	1.58

The diagram below shows the unfolded dimensions of the jacket



### Installation

Once the separator has been installed, the insulation jacket can be fitted as follows:

#### IJ-S2 and IJ-S12

Place the jacket onto the top of the separator, wrap around and secure jacket into position by using the velcro flap. The label should be on top and the large flap on the underside of the separator to prevent the ingress of water. The jacket shall be positioned so that the drain connection passes through the circular opening. Finally, pull and tie the drawcords to minimise any gaps that would allow air to flow through or allow ingress of water.

#### Important note:

Both the inner/outer face and installation are made with a bonded aluminium foil. At a temperature of 120°C the adhesive bonding the aluminium will start to degrade and delamination of the foil will occur at 150°C to 170°C.

Scorching of the internal fabric may occur at 150°C. Neither of these reactions will impair the performance.

#### Removal

Before removing the jacket, check if the separator is in service. If it is then the metal surface will be hot enough to burn and suitable protective clothing (e.g. gloves) should be worn. Removal is the reverse procedure to the above.

### Handling

When the jacket is new the insulation material is fully enclosed within the inner and outer face and retained by the stitching. In this condition for handling no special protective clothing is required. However, if the inner and outer face becomes unstitched or damaged, so as to expose the insulation material then suitable protective clothing (e.g. gloves, safety glasses, face mask and overalls) should be worn when handling.

### Disposal

This product is **not** recyclable and is non-combustible. For disposal purposes consider the product to be mineral fibre and dispose of in accordance with local regulations.

### How to order

**Example:** 1 off IJ-S2 insulation jacket to fit a DN32, S2 separator.

0232550/3