



Cert. No. LRQ 0963008

ISO 9001

spirax/sarco

TI-P027-05
ST Issue 6

Hygienic Pressure Gauge

Description

The hygienic pressure gauge for clean steam applications is made of stainless steel and can be used in adverse service conditions where pulsation or vibration exists. It is suitable for corrosive environments and gaseous or liquid media that will not obstruct the pressure system. This comes complete with a pressure relief valve fitted in the top case.

Available pressure range:

Range 1	0 to 6 bar	Range 2	0 to 10 bar
----------------	------------	----------------	-------------

Surface finish

The surface finish of the wetted parts as certified by EHEDG is Ra 0.5 micron or better. The finish on the welded surface is Ra 0.8 micron or better.

Certification

This product is available with certification to EN 10204 2.2 and/or a calibration certificate. **Note:** All certification/inspection requirements must be stated at the time of order placement.

Size and pipe connection 1½" sanitary clamp connection.

Pressure/temperature limits

PMA	Maximum allowable pressure	Short time	1.3 x Full scale reading
		Steady	Full scale reading
		Fluctuating	0.9 x Full scale reading
TMA	Maximum allowable temperature	200°C	
		Minimum allowable temperature	-20°C
PMO	Maximum operating pressure	Range 1	6 bar
		Range 2	10 bar
TMO	Maximum operating temperature	184°C	

Accuracy/temperature error

Accuracy class	According to EN 837-1/6 is 1.0		
Accuracy	0-6 bar	0.13%/10 K of full scale reading	
	0-10 bar	0.08%/10 K of full scale reading	

When the temperature of the pressure element rises above +20°C add the accuracy error and when it falls below +20°C subtract the accuracy error.

Note: These errors are computer generated and for guidance only.

Safety information, installation and maintenance

For full details see the Installation and Maintenance Instructions (IM-P027-10) supplied with the product.

Installation note:

It is recommended that all gauges are fitted with suitable isolation valves to allow for safe maintenance/replacement. Fittings, clamps and gaskets for pipe end connections are not supplied.

Maintenance note:

The only maintenance work necessary is regular cleaning of the polycarbonate window. Solvents should not be used to clean the window as it may impair clarity.

Caution

Do not over-tighten the clamp as this may cause the gasket to spread/extrude.

Disposal

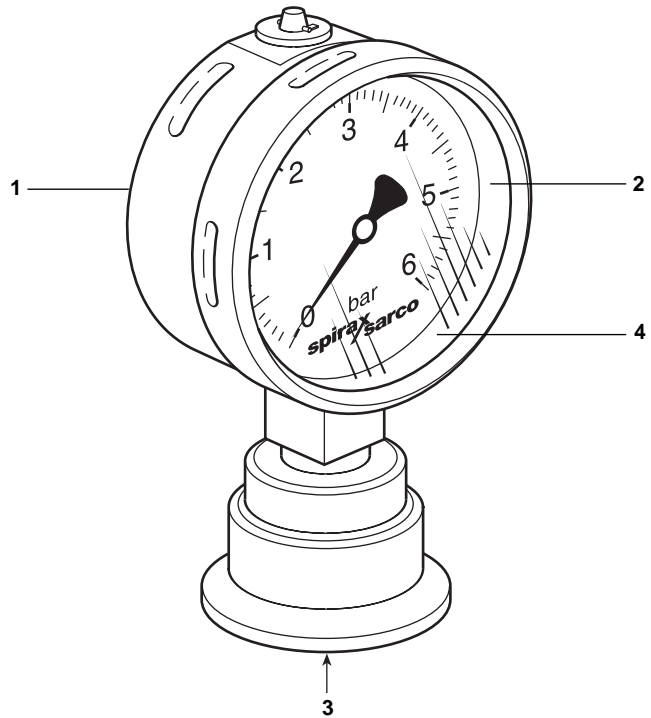
The product is recyclable. Care must be taken to ensure disposal of oil is carried out in accordance with national and local regulations regarding disposal of waste oil.

Spare parts

No spare parts are available for the hygienic pressure gauge.

How to order

Example: 1 off Spirax Sarco 1½" hygienic pressure gauge with a pressure range of 0 - 10 bar and having sanitary clamp connections.

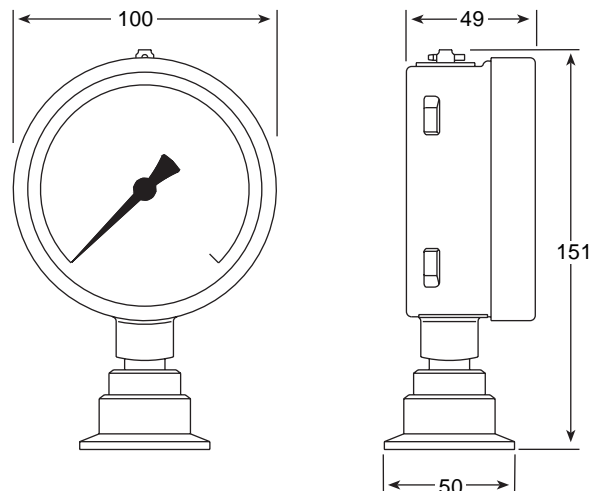


Materials

No.	Part	Material
1	Gauge case	Stainless steel BS EN 10088-2 (1.4571)
2	Gauge window	Polycarbonate
3	Diaphragm	Stainless steel BS EN 10088-2 (1.4571)
4	Liquid fill	Esso Marcol fluid

Fill fluid is FDA approved white oil Esso Marcol fluid, and meets United States FDA regulations 21.CFR172.878 and 178.3620(a).

Dimensions/weight (approximate) in mm and kg



Weight 1 kg