



Cert. No. LRQ 0963008

ISO 9001

## Hosedown Gun, Hose and Hose Rack

### Gun

#### Description

The Spirax Sarco hosedown gun is designed for use on any hot or cold water wash down and cleaning hose application. When the trigger is released water flow ceases which can save up to 60% of your hosed water cost.

#### Sizes

1/2" gun with 7/16" internals for use with 1/2" hosedown station  
3/4" gun with 9/16" internals for use with 3/4" hosedown station

#### Connections

The hosedown guns have a 1/2" NPT female connection, which accepts the swivel coupling that is pre-fitted to the hose.

#### Limiting conditions

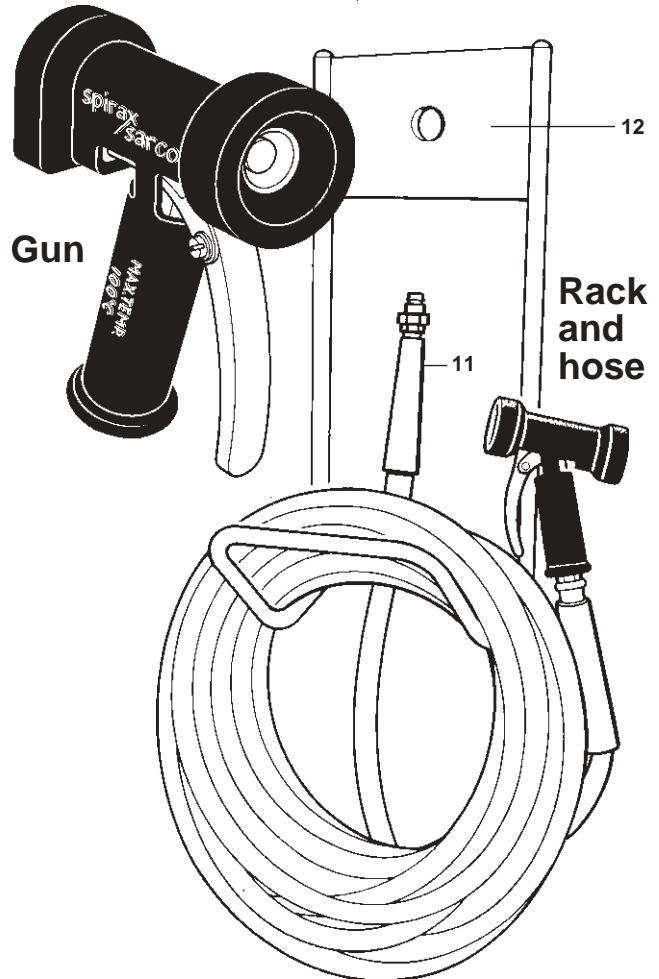
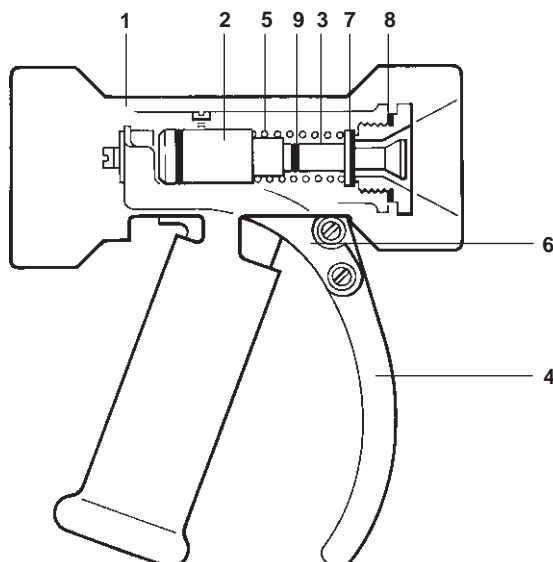
Body design conditions	PN25
Maximum design temperature	100°C
Maximum working pressure	10 bar g
Maximum operating temperature	100°C

#### Materials

No.	Part	Material	
1	Insulated covers	Rubber	Perbunan
2	Body	Brass	Ms58
3	Piston	Stainless steel	Niro Wnr.4305
4	Lever handle	Nylon coated brass	Ms58
5	Spring	Stainless steel	Niro Wnr.4305
6	Linkage	Brass	Ms58
7	Piston seal	Rubber	EPDM 90 Schore
8	Gasket	Klingerit	It 200
9	'O' ring	Rubber	Perbunan
10	Hose	Reinforced EPDM	
11	Hose protector	Rubber	PVC/Nitrile
12	Hose rack	Stainless steel	

#### How to order

Example: 1 off Spirax Sarco 1/2" hosedown gun.



### Hose

#### Description

The Spirax Sarco hose is suitable for conveying steam, hot and cold water. It is a dairy washdown steam hose rated to 170°C for steam conditions.

#### Sizes

1/2" x 20 m dairy quality hose complete with crimped on 1/2" swivel coupling.  
3/4" x 20 m dairy quality hose complete with crimped on 3/4" swivel coupling.

#### Connections

Hose coupling have a 1/2" NPT male taper thread to connect into gun. See Installation and Maintenance Instructions IM-P157-03 for connection procedure.

#### Limiting conditions

Maximum working pressure	7 bar g
Maximum working temperature for hot water	95°C

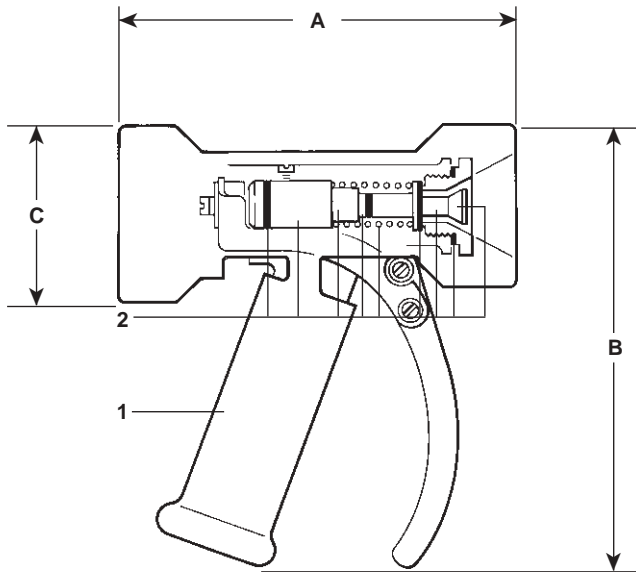
#### How to order

Example: 1 off Spirax Sarco 1/2" x 20 m dairy quality hose complete with crimped swivel coupling and hose protectors.

## Gun

Dimensions/weights (approximate) in mm and kg

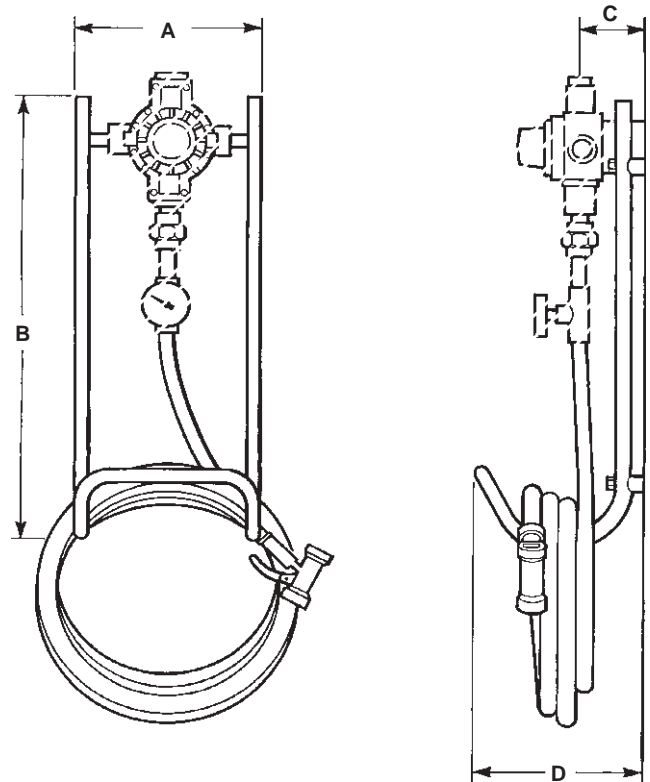
A	B	C	Weight
140	200	55	0.9



## Rack

Dimensions/weights (approximate) in mm and kg

Size	A	B	C	D
1/2", 3/4"	272	648	102	272

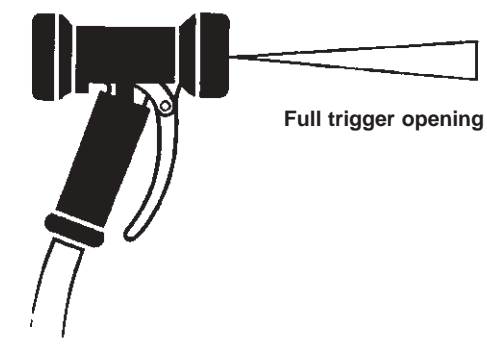
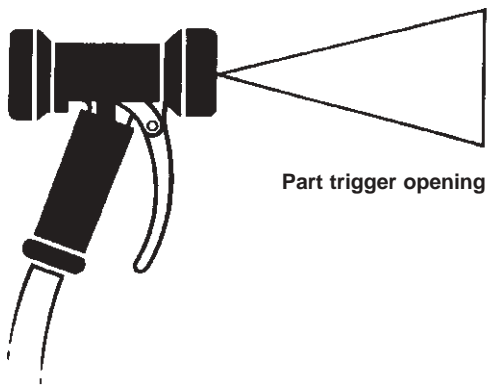


## Spares

Cover kit	Cover for gun body	1
Internal parts set	Needle valve, orifice nozzle, spring	2
Hose coupling 1/2" and 3/4"		

## Operation:

1. If a wide spray pattern is required, squeeze the trigger a small amount.
2. If a solid jet is required, squeeze the trigger fully.
3. Releasing the trigger will shut off the water flow.



## Capacity 3/4" hosedown station

