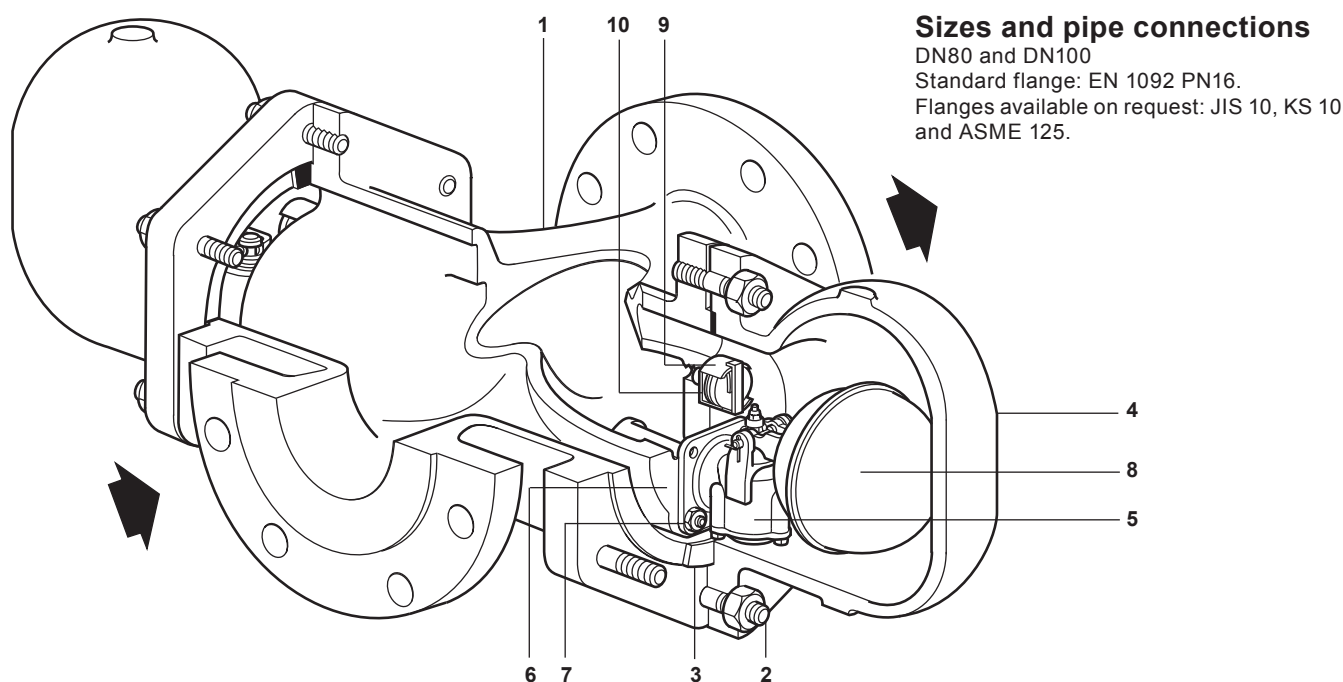




TI-S02-22
 ST Issue 9

FT43 Cast Iron Ball Float Steam Traps DN80 and DN100



Description

The FT43 is a cast iron bodied ball float steam trap having stainless steel working internals and automatic air venting facility. It is available with horizontal flanged connections only. If required, the covers can be drilled and tapped $\frac{3}{8}$ " BSP or NPT for the purpose of fitting drain cocks.

Standards

This product fully complies with the requirements of the European Pressure Equipment Directive and carries the mark when so required.

Certification

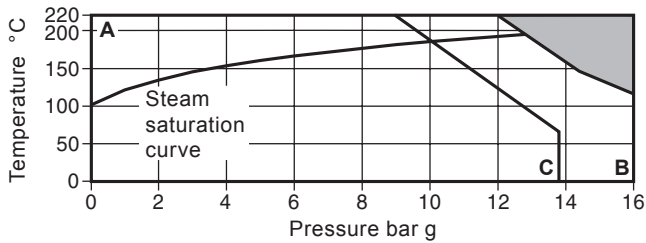
This product is available with a manufacturer's Typical Test Report.

Note: All certification/inspection requirements must be specified at the time of order placement.

Materials

No.	Part	Material	
1	Body	Cast iron	DIN 1691 GG 20
2	Cover studs and nuts	Steel	BS 4439 Gr. 8.8 BS 3692 Gr. 8
3	Cover gasket	Reinforced exfoliated graphite	
4	Cover	Cast iron	EN JL 1040
5	Main valve assembly	Stainless steel	BS 3146 Pt. 2 ANC 2
6	Main valve assembly gasket	Reinforced exfoliated graphite	
7	Main valve assembly studs and nuts	Stainless steel	BS 6105 A4-80
8	Ball float and lever	Stainless steel	BS 1449 304 S16
9	Air vent assembly	Stainless steel	
10	Air vent seat gasket	Stainless steel	BS 1449 409 S19

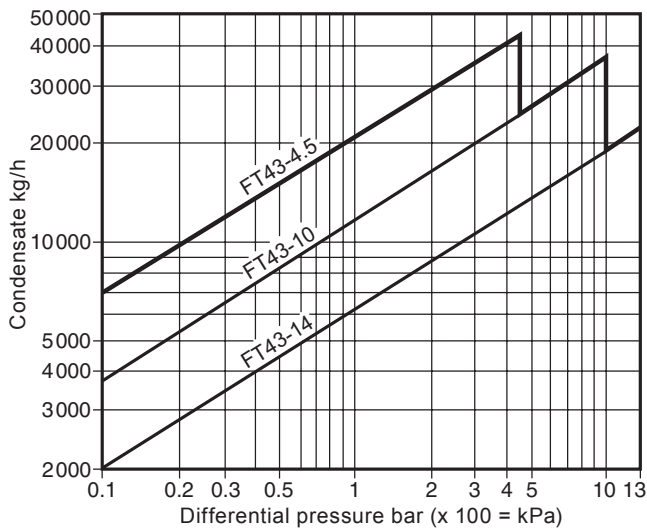
Pressure/temperature limits (ISO 6552)



The product **must not** be used in this region.

Body design conditions		PN16
PMA	Maximum allowable pressure	16 bar g @ 120 °C
TMA	Maximum allowable temperature	220 °C @ 12.1 bar g
Minimum allowable temperature		0 °C
PMO	Maximum operating pressure for saturated steam service	limited to Δ PMX
TMO	Maximum operating temperature	220 °C @ 12.1 bar g
Minimum operating temperature		0 °C
Note: For lower operating temperatures consult Spirax Sarco		
	FT43-4.5	4.5 bar
Δ PMX	FT43-10	10 bar
	FT43-14	13 bar
Designed for a maximum cold hydraulic test pressure of		24 bar g

Capacities - DN80 and DN100



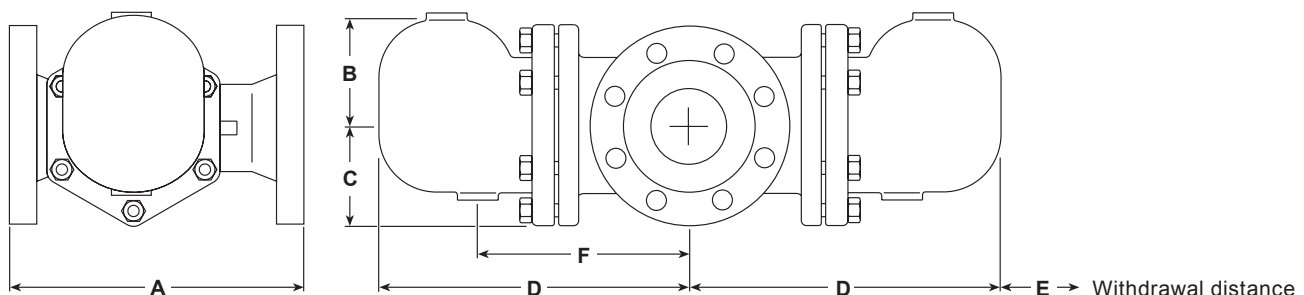
Additional cold water capacities from the thermostatic air vent under start-up conditions

Capacities shown above are based on condensate at saturation temperature. Under start-up conditions when the condensate is cold the internal thermostatic air vent will be open and provides additional capacity to the main valve. The following table gives the minimum additional cold water capacities from the air vent.

Δ p (bar)	0.5	1	2	3	4.5	7	10	13
Size	Minimum additional cold water capacity (kg/h)							
DN80	1080	1200	1240	1340	1400	2000	2600	3200
DN100	1080	1200	1240	1340	1400	2000	2600	3200

Dimensions/weights (approximate) in mm and kg

Size	PN16	JIS/KS 10	ASME	B	C	D	E	F	Weight
	A	A	A						
DN80	350	350	343	140	123	387	200	310	72
DN100	352	350	350	140	123	387	200	310	74



Safety information and maintenance

For full details see the Installation and Maintenance Instructions (IM-S02-30) supplied with the product.

Installation note: The FT43 must be installed with the direction of flow as indicated on the body, and with the float arm in a horizontal plane so that it rises and falls vertically.

Disposal: This product is recyclable. Providing due care is taken no ecological hazard is anticipated with its disposal.

How to order

Example: 1 off Spirax Sarco CDN100 FT43-4.5 ball float steam trap flanged to EN 1092 PN16, with cast iron body and cover with thermostatic air vent.

Spare parts

The spare parts available are shown in heavy outline. Parts drawn in a grey line are not supplied as spares.

Available spares

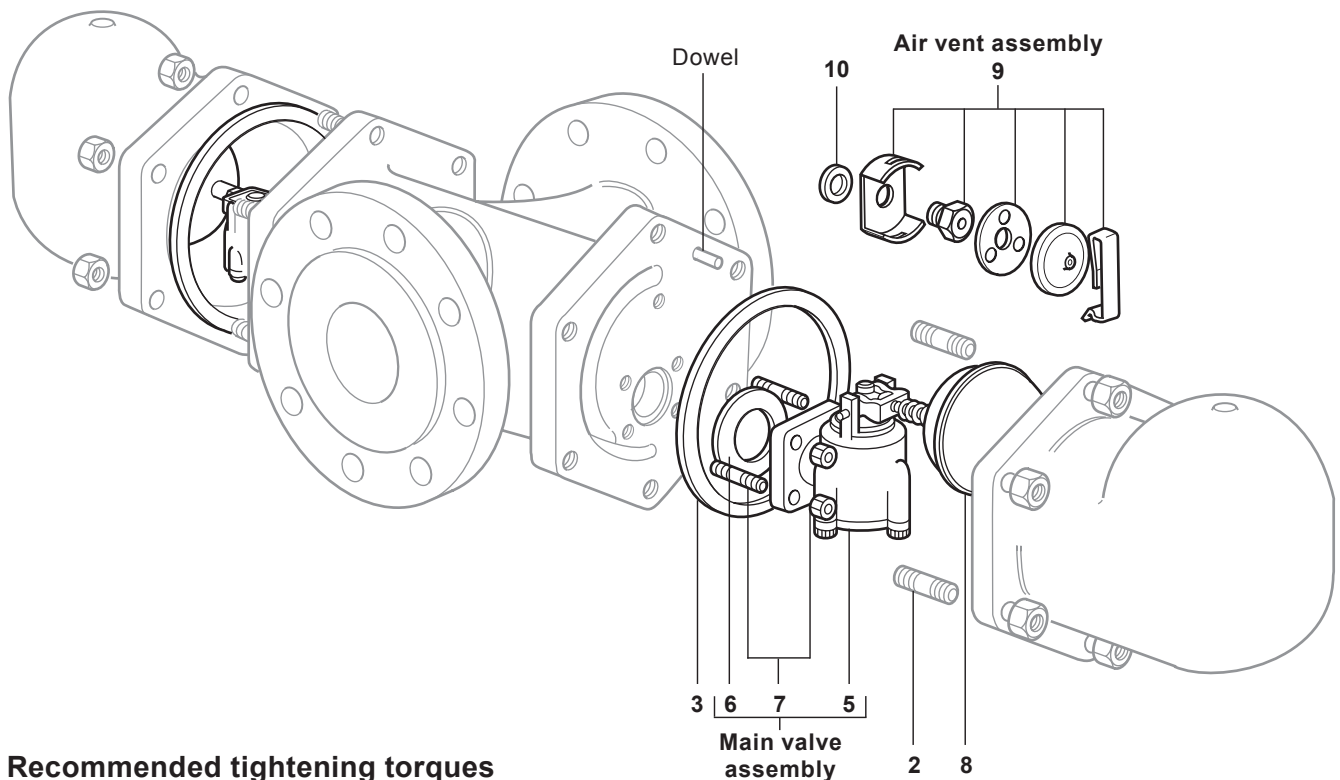
Main valve assembly	5, 6, 7
Ball float and lever	8
Air vent assembly	9, 10
Set of gaskets	3, 6, 10

Note: For a complete overhaul 2 x each spare is required, with the exception of the gaskets and main valve assembly kit.



How to order spares

Always order spares by using the description given in the column headed 'Available spares' and state the size and type of trap.

Example: 1 - Air vent assembly for a Spirax Sarco DN80 FT43-4.5 ball float steam trap.



Recommended tightening torques

Item	 or mm		N m
2	24 A/F	M16 x 45	80 - 88
7	13 A/F	M8 x 20	20 - 24
9	17 A/F		50 - 55