

Food +
FCM compliant

TI-P742-01
CTLS Issue 2



Spira-trol™ Food+ Control Valves EN Standard DN15 to DN100

Description

Spira-trol™ Food+ is a range of Food Contact Material (FCM) compliant two-port single seat globe valves designed to meet the strict requirements of the Food and Beverage industry.

Designed, manufactured and approved for Steam and Condensate applications, the Spira-trol™ Food+ product complies with:

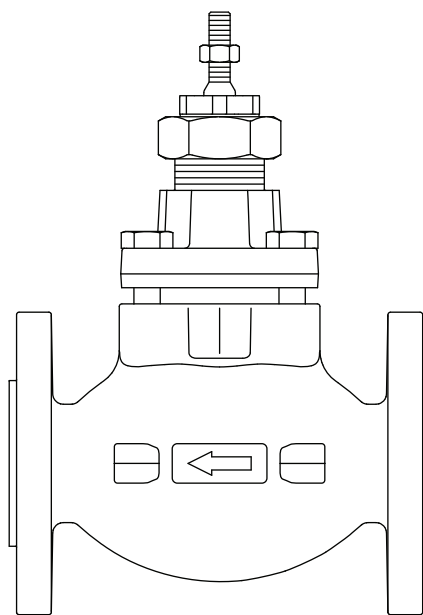
- (EC)1935:2004 Materials and Articles Intended to come into Contact with Food
- (EC)2023:2006 Good Manufacturing Practice for Materials and Articles Intended to come into Contact with Food
- (EU)10/2011 Plastic Materials and Articles Intended to come into Contact with Food
- FDA Code of Federal Regulations - title 21 - Food and Drugs

This product is intended to be connected into a system that can operate a food contact compliant process.

A list of the materials that could come directly or indirectly into contact with foodstuffs can be found in the Declaration of Compliance available for this product.

Available in EN standard DN15-100 sizes, Spira-trol™ Food+ retains the cage retained design of the standard Spira-trol valve for low total cost of ownership and low impact maintenance and will carry the relevant Food Safe mark on the valve and packaging.

When used in conjunction with a pneumatic or electric linear actuator the Spira-trol™ Food+ can provide characterised modulating or on/off control.



L Series
DN15 to DN100




Throughout this document, reference has been made to the standard LE control valve. With the exception of trim type, the LE, LF, and LL control valves are identical.

Sizes and pipe connections

Valve series	Body Material	Flanged
		PN16
		DN15-100
L series	Stainless Steel	●

Standards

Designed in accordance with EN60534. This product fully complies with the requirements of the EU Pressure Equipment Directive/UK Equipment (Safety) Regulations and carries the the  mark when so required.

This product comes as standard with a food contact regulation Declaration of Compliance:

- (EC)1935:2004 Spirax Sarco Declaration of Compliance
- (EC)2023:2006 Spirax Sarco Declaration of Compliance
- (EU)10/2011 Plastic Materials and Articles Intended to come into Contact with Food
- FDA Code of Federal Regulations - title 21 - Food and Drugs

The material for the PTFE seals is compliant with:

- FDA CFR Title 21. Paragraph 177. 1550

The material for the PEEK seals is compliant with:

- FDA CFR Title 21. Paragraph 177. 2415

The metallic materials used are compliant with:

- FDA CFR Title 21. Paragraph 211. 65

Certification

Spira-trol™ Food+ can be supplied with material certification available to EN 10204 3.1.

Note: All certification/inspection requirements must be stated at the time of order placement.

Material Compatibility and Traceability

Material compatibility and traceability of component parts for all Spirax Sarco Food+ products is in accordance with QAS P411/04. Product lines are migration and organoleptic tested at component level ensuring complete FCM assurance.

All valves are marked with a unique serial number to enable traceability to source for all component materials (wetted parts).

Packaging

Each valve is end capped and sealed in a plastic bag to avoid the ingress of dirt and other contaminants, and packed in a cardboard box.

Spira-trol™ Food+ carries the relevant Food Safe mark on the valve, certification and packaging.



Spira-trol valve characteristic – options

Valve Type	Characteristic	Application
LE	Equal Percentage	Suitable for most modulating process control applications providing good control at all flowrates
LF	Fast opening	For on/off applications only
LL	Linear	Primarily for liquid flowcontrol where the differential pressure across the valve is constant

Spira-trol valve options

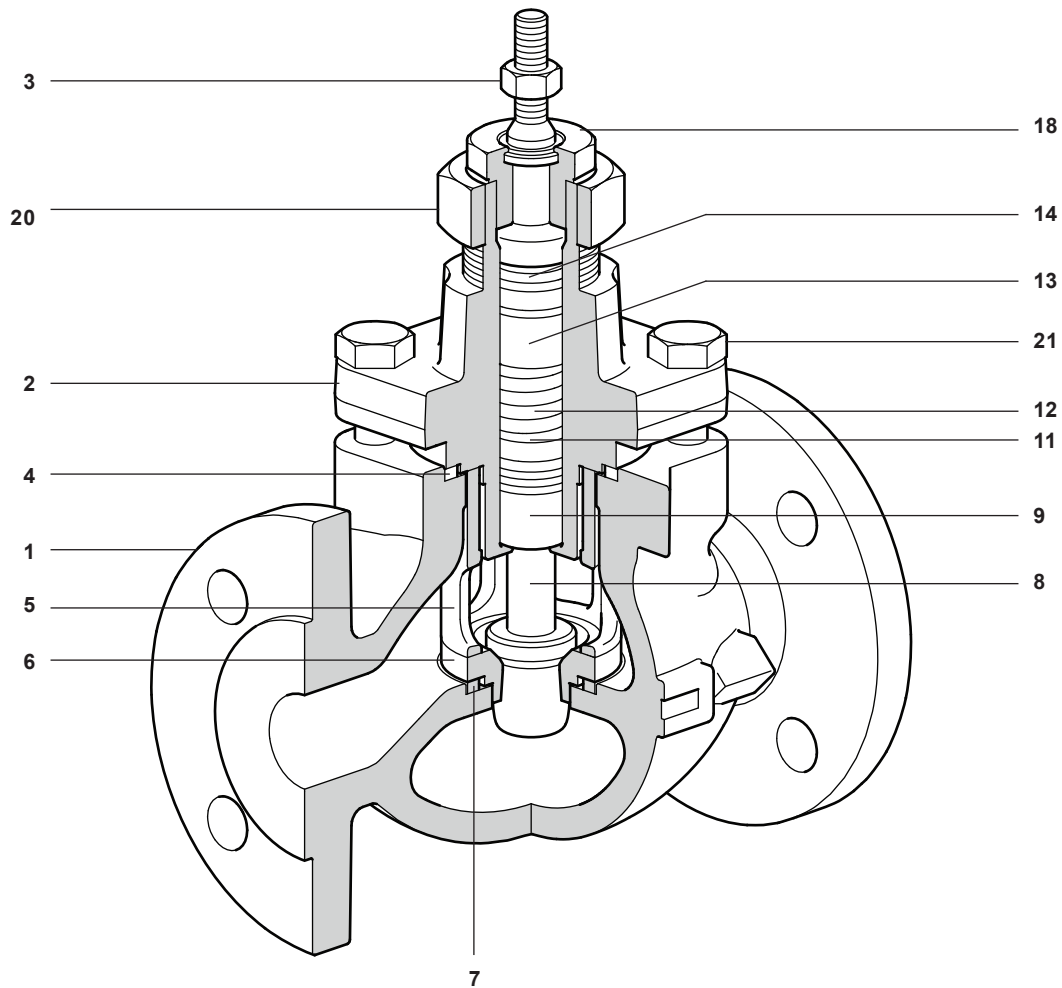
Stem sealing	PTFE chevron seals (P)	Standard	
Seating	Metal	316L plug and seat (S)	
	Soft/Resilient	316L plug and PEEK seat (P)	FCM Compliant
Bonnet Type	Standard length	Standard	
Trim	Standard parabolic	Standard	

Spira-trol™ Food+ is a modular valve based on 4 body sizes covering DN15-100 (DN15-25, DN32-50, DN65-80, and DN100) sizes in order to reduce the number of spare parts. The valves are available with a range of accessories including actuators, positioners, solenoid valves, limit switches.

Please refer to respective data sheets:

- For ASME version please refer to TI-P742-03
- For pneumatic actuators please refer to TI-P357-30
- For smart positioners please refer to TI-P343-34 and TI-P343-36
- For pneumatic positioners please refer to TI-P370-14
- For electro-pneumatic positioners please refer to TI-P343-43 and TI-P343-45
- For electric actuators please refer to TI-P344-02, TI-P358-23 and TI-P713-02

Materials - DN15 to DN100



LE6 DN15-100

No.	Part	Material
1	Body	EN10213 : 1.4408
2	Bonnet	EN10213 : 1.4408
3	Stem lock-nut	Stainless steel A2-70
4	Bonnet gasket	PTFE
5	Seat retainer	Duplex stainless steel ASME A994 CD4MCuN
6	Valve seat	Seat Option S EN10213 : 1.4412
		Seat Option P PEEK
7	Seat gasket	PTFE
8	Valve plug and stem	Seat Option S Stainless steel 316L
		Seat Option P
9	Lower stem guide	Stem seal option P PTFE
10	Lower stem wiper	PTFE
11	Packing washer	Stainless steel 316L
12	Spring	Stainless steel 316L
13	Packing spacer	Stainless steel 316L
14	Packing chevron	PTFE
15	Outer 'O' ring	VITON™
16	Upper stem guide	PTFE
17	Inner 'O' ring	VITON™
18	Gland nut	Stainless steel 316L
19	Scaper ring	PTFE
20	Actuator clamp nut	Nickel plated carbon steel
21	Bolt	Stainless steel A2-70

Kv values

			DN15	DN20	DN25	DN32	DN40	DN50	DN65	DN80	DN100
Standard trim	High capacity	Equal %	4.9	7.2		17.5	31.0	46.0			
		Full port	4.0	6.3	10.0	16.0	25.0	36.0	73.0	100	160
	Full port	Linear	4.9	7.2	11.0	18.0	31.0	50.0	90.0	117	180
		Fast Open	4.9	7.2	11.0	18.0	31.0	50.0	90.0	117	180
	Reduction 1	Equal %	2.5	4.0	6.3	10.0	16.0	25.0	36.0	73.0	100
		Linear	2.5	4.0	6.3	10.0	16.0	25.0	36.0	73.0	100
	Reduction 2	Equal %	1.6	2.5	4.0	6.3	10.0	16.0	25.0	36.0	63.0
		Linear	1.6	2.5	4.0	6.3	10.0	16.0	25.0	36.0	63.0
	Reduction 3	Equal %	1.0	1.6	2.5	4.0	6.3	10.0	16.0	25.0	36.0
		Linear	1.0	1.6	2.5	4.0	6.3	10.0	16.0	25.0	36.0
	Reduction 4	Equal %		1.0	1.6		4.0	6.3		16.0	
		Linear		1.0	1.6		4.0	6.3		16.0	
	Reduction 5	Equal %			1.0			4.0			
		Linear			1.0			4.0			
	Microflute (Linear only)			0.5							
		0.2									
		0.1									

For Full Temperature/pressure Operating Curves, please refer to IM-P742-02

Spira-trol series valve

Body material		LE6 (316L/EN10213 : 1.4408)		
Nominal pressure		PN16		
Connection type	Flanged	PN16	DN15-100	
Maximum operating pressure	Flanged	PN16	16 bar @ 100 °C	
Maximum operating temperature	Seat Option S	316L	200 °C	
	Seat Option P	PEEK		
Operating temperature range		-10 °C to +200 °C		
Maximum operating temperature	PTFE Stem seal	Seat Option S	200 °C	
		Seat Option P		
Maximum saturated steam service		All options	14.3 bar g	
Leakage class	In accordance to IEC 60534-1	Seat Option S	Class IV	
		Seat Option P	Class VI	
Characteristic		Equal %	Linear	Fast Open
Rangeability		50 : 1	30 : 1	10 : 1
Travel	DN15 to DN50	20 mm		
	DN65 to DN100	30 mm		

Saturated steam applications

Actuator Type	Valve size	DN15 to DN25						DN32 to DN50						
		Upto Kv6.3	7.2	10	11	4	6.3	10	16	17.5-18	25	31-36	46-50	
		P	P	P	P	P	P	P	P	P	P	P	P	
PN9126E	1.0-2.0	960	14.3						14.3					
PN9123E	2.0-4.0	1920	14.3						14.3					
PN9220E	0.2-1.0	680	14.3	11.6	14.3	11.6	8.6	11.6	8.6	4.0	3.0	1.9		
PN9220E	0.4-1.2	1360	14.3						14.3					
PN9226E	1.0-2.0	3400	14.3											

Fluids at <120°C

Actuator Type	Valve size	DN15 to DN25						DN32 to DN50						
		Upto Kv6.3	7.2	10	11	4	6.3	10	16	17.5-18	25	31-36	46-50	
		P	P	P	P	P	P	P	P	P	P	P	P	
PN9126E	1.0-2.0	960	15.4						15.4					
PN9123E	2.0-4.0	1920	15.4						15.4					
PN9220E	0.2-1.0	680	15.4	14.5	11.6	15.4	14.5	8.6	11.6	8.6	4.0	3.0	1.9	
PN9220E	0.4-1.2	1360	15.4						15.4					
PN9226E	1.0-2.0	3400	15.4											

Maximum differential pressures for Class VI shut-off
 - Resilient Seated (P)
 - FLOW UNDER
 - standard trim
 - (Pneumatic Actuators)

Maximum differential pressures for Class VI shut-off
 - Resilient Seated (P)
 - FLOW UNDER
 - standard trim
 - (Pneumatic Actuators)
 - continued

Saturated steam applications

Actuator Type	Valve size				DN65 to 100			
	Kvs	16	25	36	63-73-90	100-115-117	160-180	P
PN9230E 0.2-1.0	680	7.6	2.6	1.6	0.5	0.1		
PN9230E 0.4-1.2	1360	14.3	8.6	5.8	2.9	1.7		
PN9236E 1.0-2.0	3400		14.3		10.2	6.3		
PN9233E 2.0-4.0	6800				14.3	14.0		
PN9330E 0.2-1.0	1340	14.3	8.4	5.7	2.9	1.6		
PN9330E 0.4-1.2	2680		15.4	14.1	7.6	4.7		
PN9336E 1.0-2.0	6700				14.3	13.8		

Fluids at <120°C

Actuator Type	Valve size				DN65 to 100			
	Kvs	16	25	36	63-73-90	100-115-117	160-180	P
PN9230E 0.2-1.0	680	7.6	2.6	1.6	0.5	0.1		
PN9230E 0.4-1.2	1360	15.4	8.6	5.8	2.9	1.7		
PN9236E 1.0-2.0	3400		15.4		10.2	6.3		
PN9233E 2.0-4.0	6800				15.4	14.0		
PN9330E 0.2-1.0	1340	15.4	8.4	5.7	2.9	1.6		
PN9330E 0.4-1.2	2680		15.4	14.1	7.6	4.7		
PN9336E 1.0-2.0	6700				15.4	13.8		

Maximum differential pressures for Class VI shut-off
 - Resilient Seated (P)
 - FLOW UNDER
 - standard trim
 - (Electric Actuators)

Saturated steam applications

Valve size	DN15 to DN25						DN32 to DN50						
	Upto Kv6.3	7.2	10	11	4	6.3	10	16	17.5-18	25	31-36	46-50	
													Actuator Type
Stem sealing													
Actuator trust													
AEL3	2000	14.3											10.2
AEL71T	900	14.3											3.3
AEL71	1200	14.3											5.1
AEL72	2000	14.3											10.2
AEL72T	2100												10.8
AEL62	2300												12.1

Fluids at <120 °C

Valve size	DN15 to DN25						DN32 to DN50						
	Up to Kv6.3	7.2	10	11	4	6.3	10	16	17.5-18	25	31-36	46-50	
													Actuator Type
Stem sealing													
Actuator trust													
AEL3	2000	10.0											
AEL71T	900	15.4											3.3
AEL71	1200	15.4											5.1
AEL72	2000	15.4											10.2
AEL72T	2100												10.8
AEL62	2300												12.1

- Maximum differential pressures for Class VI shut-off
- Resilient Seated (P)
 - FLOW UNDER
 - standard trim
 - (Electric Actuators)
 - continued

Saturated steam applications

Actuator Type	Valve size						
	DN65 to 100						
	16	25	36	63-73-90	100-115-117	160-180	
Kvs							
Stem sealing	P	P	P	P	P	P	P
Actuator trust							
AEL71T	12.1	4.5	2.9	1.3			
AEL72	14.3	14.2	9.9	5.2	3.1	1.8	
AEL72T	14.3	10.5	5.6	3.3		1.9	
AEL62	14.3	11.7	6.3	3.8		2.2	
AEL63				14.1	8.8	5.3	
AEL73				12.3	7.6	4.6	
AEL74				14.3	12.2	7.4	
AEL75					14.3	10.2	
AEL76						14.3	

Fluids at <120°C

Actuator Type	Valve size						
	DN65 to 100						
	16	25	36	63-73-90	100-115-117	160-180	
Kvs							
Stem sealing	P	P	P	P	P	P	P
Actuator trust							
AEL71T	12.1	4.5	2.9	1.3			
AEL72	15.4	14.2	9.9	5.2	3.1	1.8	
AEL72T	15.1	14.2	10.5	5.6	3.3	1.9	
AEL62	15.4	11.7	6.3	3.8		2.2	
AEL63				14.1	8.8	5.3	
AEL73				12.3	7.6	4.6	
AEL74				15.4	12.2	7.4	
AEL75					15.4	10.2	
AEL76						15.4	

Saturated steam applications

Actuator Type	Valve size		DN15 to DN25					DN32 to DN50										
	Kvs	Upto Kv6.3	7.2	10	11	4	6.3	10	16	17.5-18	25	31-36	46-50					
			P	P	P	P	P	P	P	P	P	P	P	P				
PN9126E	1.0-2.0	960	15.4					14.3					14.3	15.4	9.5	3.6	2.3	1.0
PN9123E	2.0-4.0	1920	14.3					14.3					14.3	15.4	9.5	3.6	2.3	1.0
PN9220E	0.2-1.0	680	14.3	11.7	8.5	6.2	14.3	8.5	6.2	3.8	0.5							
PN9220E	0.4-1.2	1360	14.3					14.3					14.3	15.4	9.5	3.6	2.3	1.0
PN9226E	1.0-2.0	3400	14.3					14.3					14.3	15.4	9.5	3.6	2.3	1.0

Fluids at <120°C

Actuator Type	Valve size		DN15 to DN25					DN32 to DN50										
	Kvs	Upto Kv6.3	7.2	10	11	4	6.3	10	16	17.5-18	25	31-36	46-50					
			P	P	P	P	P	P	P	P	P	P	P	P				
PN9126E	1.0-2.0	960	15.4					15.4					15.4	15.4	9.5	3.6	2.3	1.0
PN9123E	2.0-4.0	1920	15.4					15.4					15.4	15.4	9.5	3.6	2.3	1.0
PN9220E	0.2-1.0	680	15.4	8.5	6.2	15.4	8.5	6.2	3.8	0.5								
PN9220E	0.4-1.2	1360	15.4					15.4					15.4	15.4	9.5	3.6	2.3	1.0
PN9226E	1.0-2.0	3400	15.4					15.4					15.4	15.4	9.5	3.6	2.3	1.0
PN9223E	2.0-4.0	6800	15.4					15.4					15.4	15.4	9.5	3.6	2.3	1.0

Maximum differential pressures for Class IV shut-off
 - Metal Seated (S)
 - FLOW UNDER
 - standard trim
 - (Pneumatic Actuators)

Maximum differential pressures for Class IV shut-off
 - Metal Seated (S)
 - FLOW UNDER
 - standard trim
 - (Pneumatic Actuators)
 - continued

Saturated steam applications

Actuator Type	Valve size										
	DN65 to 100										
	16	25	36	63-73-90	100-115-117	160-180					
Kvs											
Stem sealing											
Actuator trust	P	P	P	P	P	P					
PN9230E 0.2-1.0	2.8										
PN9230E 0.4-1.2	14.3	5.4	3.2	0.9							
PN9236E 1.0-2.0		14.3		8.2	4.7	2.5					
PN9233E 2.0-4.0			14.3		12.4	7.3					
PN9330E 0.2-1.0	14.3	5.2	3.0	0.9							
PN9330E 0.4-1.2		14.3	11.5	5.6	3.1	1.5					
PN9336E 1.0-2.0			14.3		12.2	7.1					
PN9337E 2.5-3.5				10.0							

Fluids <120°C

Actuator Type	Valve size										
	DN65 to 100										
	16	25	36	63-73-90	100-115-117	160-180					
Kvs											
Stem sealing											
Actuator trust	P	P	P	P	P	P					
PN9230E 0.2-1.0	2.8										
PN9230E 0.4-1.2	15.4	5.4	3.2	0.9							
PN9236E 1.0-2.0		15.4		8.2	4.7	2.5					
PN9233E 2.0-4.0			15.4			7.3					
PN9330E 0.2-1.0	15.4	5.2	3	0.9							
PN9330E 0.4-1.2		15.4	11.5	5.6	3.1	1.5					
PN9336E 1.0-2.0			15.4		12.2	7.1					

Maximum differential pressures for Class IV shut-off
 - Metal Seated (S)
 - FLOW UNDER
 - standard trim
 - (Electric Actuators)

Saturated steam applications

Actuator Type	Valve size		DN15 to DN25					DN32 to DN50						
	Kvs	Upto Kv6.3	7.2	10	11	4	6.3	10	16	17.5-18	25	31-36	46-50	
			P	P	P	P	P	P	P	P	P	P	P	P
AEL3	2000		14.3										11.5	7.5
AEL71T	900	14.3	13.5	9.9		14.3	12.0	8.3	2.9	6.2	4.4	2.5	0.6	
AEL71	1200		14.3										11.5	7.5
AEL72	2000		14.3										12.4	8.1
AEL72T	2100		14.3										14.1	9.4
AEL62	2300		14.3											
AEL63	4500		14.3											
AEL73	4000		14.3											
AEL74	6000		14.3											

Fluids at <120°C

Actuator Type	Valve size		DN15 to DN25					DN32 to DN50						
	Kvs	Up to Kv6.3	7.2	10	11	4	6.3	10	16	17.5-18	25	31-36	46-50	
			P	P	P	P	P	P	P	P	P	P	P	P
AEL3	2000		15.4										11.5	7.5
AEL71T	900	15.4	13.5	9.9		15.4	12.0	8.3	2.9	6.2	4.4	2.5	0.6	
AEL71	1200		15.4										11.5	7.5
AEL72	2000		15.4										12.4	8.1
AEL72T	2100		15.4											
AEL62	2300		15.4											
AEL63	4500		15.4											
AEL73	4000		15.4											
AEL74	6000		15.4											

Maximum differential pressures for Class IV shut-off
 - Metal Seated (S)
 - FLOW UNDER
 - standard trim
 - (Electric Actuators)
 - continued

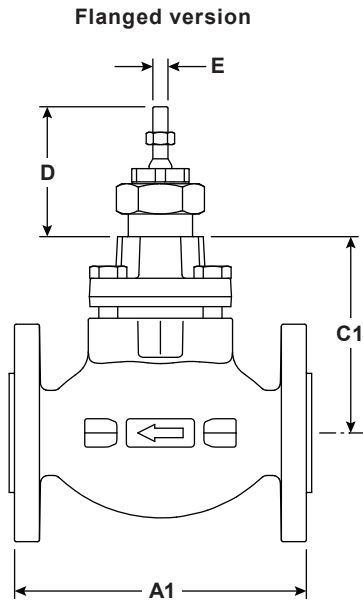
Saturated steam applications

Actuator Type	Valve size									
	DN65 to 100					DN65 to 100				
	16	25	36	63-73-90	100-115-117	160-180				
Kvs										
Stem sealing	P	P	P	P	P	P				
Actuator trust										
AEL71T	7.3	1.3	0.3							
AEL72	14.3	11.0	7.2	3.2	1.5	0.5				
AEL72T	14.3	11.9	7.8	3.6	1.7	0.6				
AEL62	14.3	13.7	9.1	4.3	2.2	0.9				
AEL63		14.3		12.1	7.2	4.0				
AEL73		14.3		10.3	6.0	3.3				
AEL74				14.3	10.3	6.1				
AEL75					14.3	9.0				
AEL76						14.3				

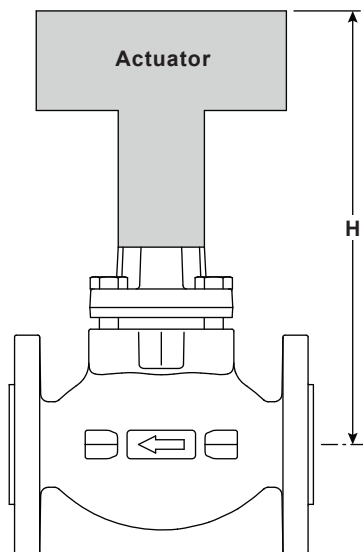
Fluids at <120°C

Actuator Type	Valve size									
	DN65 to 100					DN65 to 100				
	16	25	36	63-73-90	100-115-117	160-180				
Kvs										
Stem sealing	P	P	P	P	P	P				
Actuator trust										
AEL71T	7.3	1.3	0.3							
AEL72	15.4	11.0	7.2	3.2	1.5	0.5				
AEL72T	15.4	11.9	7.8	3.6	1.7	0.6				
AEL62	15.4	13.7	9.1	4.3	2.2	0.9				
AEL63		15.4		12.1	7.2	4.0				
AEL73		15.4		10.3	6.0	3.3				
AEL74				15.4	10.3	6.1				
AEL75					15.4	9.0				
AEL76						14.6				

Valve and Assembly Dimensions (in mm)



Valve Size	Flanged			
	A1	C1	D	E
	LE63			
DN15	130	103	69	M8
DN20	150			
DN25	160			
DN32	180			
DN40	200	132	81	M12
DN50	230	127		
DN65	290	201		
DN80	310	216		
DN100	350			



Valve Size	Valve Assembly (H in mm)		
	PN9100	PN9200	PN9300
DN15	239.0	369.0	
DN20			
DN25			
DN32			
DN40			
DN50	381.0	471.0	
DN65			
DN80			
DN100			

Valve Size	Valve Assembly (H in mm)					
	AEL3	AEL7T	AEL72	AEL73	AEL74	AEL75
DN15	412.0	577.0	448.0	448.0	543.0	
DN20						
DN25						
DN32						
DN40						
DN50	589.0				555.0	608.0
DN65						
DN80						
DN100						

Valve and Assembly Weights (in kg)

Valve Size	Valve	Valve Assembly (including SP7 with PN9000 actuators)								
	LE63	PN9100	PN9200	PN9300	AEL3	AEL7T	AEL72	AEL73	AEL74	AEL75
DN15	5.0	14.0	25.0		11.1	14.3	9.8	9.8	13.0	
DN20	6.0	15.0	26.0		12.1	15.3	10.8	10.8	14.0	
DN25	6.5	15.5	26.5		12.6	15.8	11.3	11.3	14.5	
DN32	10.0	19.0	30.0		16.1	19.3	14.8	14.8	18.0	
DN40	12.8	21.8	32.8		18.9	22.1	17.6	17.6	20.8	
DN50	15.0	24.0	35.0		21.1	24.3	19.8	19.8	23.0	
DN65	32.0		52.0	62.0		41.3			40.0	47.0
DN80	36.0		56.0	66.0		45.3			44.0	51.0
DN100	53.0		73.0	83.0		62.3			61.0	68.0

Safety information, installation and maintenance

Full details for the safe installation, commissioning and removal of the Spira-trol™ Food+ control valves can be found in IM-P742-02.

Spare parts

How to order

The Spira-trol™ Food+ spare parts available are shown in solid outline. Parts drawn in a grey line are not supplied as spares.

How to fit

Full fitting instructions for Food+ spare parts are provided in IM-P742-02 (Spira-trol™ Food+ Installation and Maintenance Instructions)

Available spares

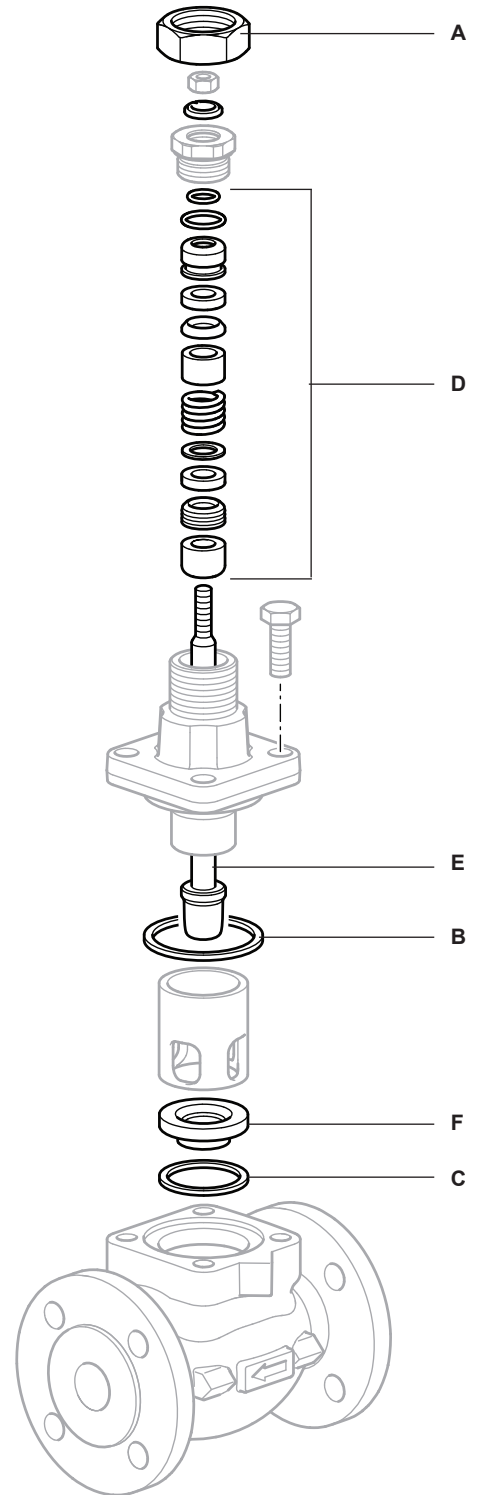
Actuator clamping nut	A	●	
		Stem Seal and Gasket Set	Plug and Seat Set
Bonnet Gasket	B	●	●
Seat Gasket	C	●	●
PTFE Stem Seal	D	●	●
Plug and Stem	E		●
Valve Seat	F		●



When placing an order for spare parts please specify clearly the full product description and serial number as found on the label of the valve body, as this will ensure that the correct spare parts are supplied and product compliance can be maintained.

Spare parts come complete with a Spirax Sarco Food+ Declaration of Compliance matched to the valve serial number.

No spare parts will be made available without the valve serial number.



Disposal

This product is recyclable. No ecological hazard is anticipated with the disposal of this product, with the exception of PTFE materials, providing due care is taken.



PTFE Disposal

- Can only be disposed of by approved methods, not incineration
- Keep PTFE waste in a separate container, do not mix with other waste and consign it to a landfill site

Spira-trol™ selection guide:

Valve size	EN Standard = DN15, DN20, DN25, DN32, DN40, DN50, DN65, DN80, DN100	DN25
Valve series	L = Spira-trol™ L Series	L
	E = Equal percentage	E
Valve characteristic	F = Fast opening	
	L = Linear	
Flange type	Blank = EN (PN)	
Flow	Blank = Under	
	T = Over	
Body material	6 = 316L stainless steel (FCM compliant)	6
Connections	3 = Flanged	3
Stem sealing	P = PTFE chevron (FCM compliant)	P
Seat	P = Full PEEK (FCM Compliant)	P
	S = 316L stainless steel (FCM compliant)	
Type of trim	S = Standard parabolic	S
Trim balancing	U = Standard unbalanced	U
Bonnet type	S = Standard	S
Bolting	S = Standard (Stainless steel)	S
Food+ certification	E = EC1935/FDA	E
Series	.2 = .2	.2
Kvs	= To be specified	Kvs 6.3
Connection type	PN16 = EN1092 PN16	PN16

Selections example

DN25	-	L	E	6	3	P	P	S	U	S	S	E	.2	-	Kvs 6.3	-	Flanged PN16
------	---	---	---	---	---	---	---	---	---	---	---	---	----	---	---------	---	-----------------

How to order

Example: 1 off Spirax Sarco Spira-trol™ Food+ DN25 LE63PPSUSSE.2 Kvs 6.3 two-port control valve having flanged PN16 connections