



## Fig 3716

## SG Iron

# Strainer - DIN Material

### Description

The Fig 3716 is an SG iron integrally flanged Y-type strainer with flanged screen cover in DIN material. The standard stainless steel screen in the DN15 to DN80 has 0.8 mm perforations and in the DN100 to DN200 it has 1.6 mm perforations. As options, other perforation and mesh sizes are available. The strainer cap can be drilled and tapped for blowdown and drain valves if required. The body can also be drilled and tapped for pressure tappings if required.

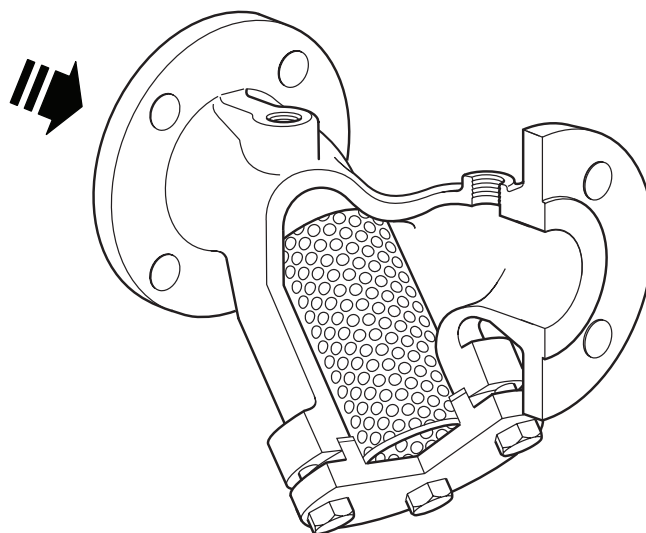
### Standards

This product fully complies with the requirements of the European Pressure Equipment Directive 2014/68/EU.

### Certification

This product is available with certification to EN 10204 3.1.

**Note:** All certification/inspection requirements must be stated at the time of order placement.



### Optional extras

		Perforations	1.6 mm (DN15 to DN80)
<b>Stainless steel screen</b>			3.0 mm (DN15 to DN200)
		Mesh	40, 100, 200
	<b>Strainer screens</b>		0.8 mm (½" to 3")
<b>Monel screen</b>		Perforations	1.6 mm (4" to 8")
			3.0 mm (½" to 8")
		Mesh	100

### Blowdown, drain valve and pressure connections

The cap can be tapped to enable a blowdown or drain valve to be fitted. The body can be drilled for pressure tappings. These options are available at extra cost. **Connection sizes are as shown below:**

Strainer size	Blowdown valve	Drain valve	Pressure tapping
DN15 to DN20	⅜"	⅜"	¼"
DN25 to DN32	½"	½"	¼"
DN40 and DN80	¾"	¾"	¼"
DN100 to DN200	1"	1"	¼"

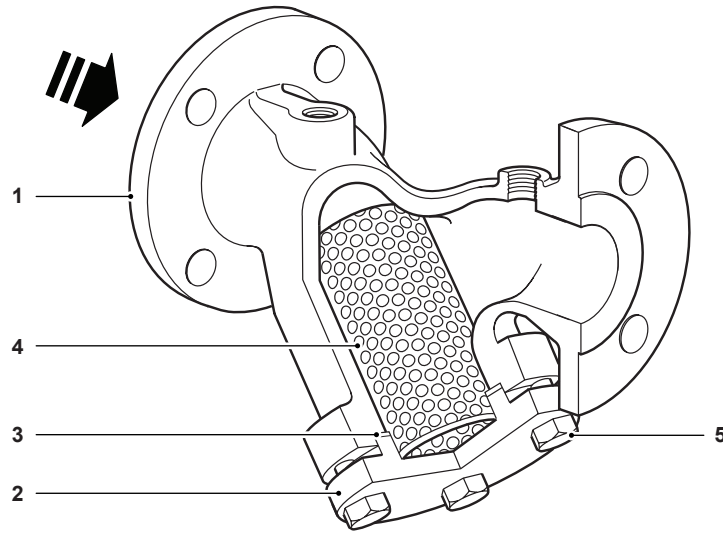
### Sizes and pipe connections

DN15, DN20, DN25, DN32, DN40, DN50, DN65, DN80, DN100, DN125, DN150 and DN200.

Standard flange EN 1092 PN16.

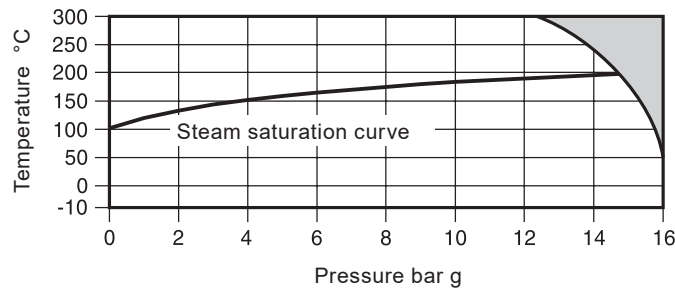
DN50 to DN200 sizes are also available with ASME (ANSI) 150 (instead of DN100) and JIS 10K connection on request.

## Materials



No.	Part	Material	
1	Body	SG iron	DIN 1693 GGG40
2	Cap	SG iron	DIN 1693 GGG40
3	Cap gasket	Reinforced exfoliated graphite	
4	Strainer screen	Austenitic stainless steel	ASTM A240 316L
5	Bolts	Carbon steel	BS 3692 Gr 8.8

## Pressure/temperature limits



The product **must not** be used in this region.

Note: Special testing to allow lower temperature operation can be provided at extra cost. Consult Spirax Sarco.

Body design conditions	PN16
TMA Maximum allowable temperature	300 °C @ 12.3 bar g
PMA Maximum allowable pressure	16 bar g @ 100 °C
Minimum allowable temperature	-10 °C
TMO Maximum operating temperature	300 °C @ 12.3 bar g
PMO Maximum operating pressure	16 bar g @ 100 °C (15 bar g for saturated steam service @ 201 °C)
Minimum operating temperature	-10 °C
Product is safe for use under full vacuum conditions	
Designed for a maximum cold hydraulic test pressure of:	24 bar g

## Kv values

Size	DN15	DN20	DN25	DN32	DN40	DN50	DN65	DN80	DN100	DN125	DN150	DN200
Perforations 0.8, 1.6 and 3 mm	5	8	13	22	29	46	72	103	155	237	340	588
Mesh 40 and 100	5	8	13	22	29	46	72	103	155	237	340	588
Mesh 200	4	6	10	17	23	37	58	83	124	186	268	464

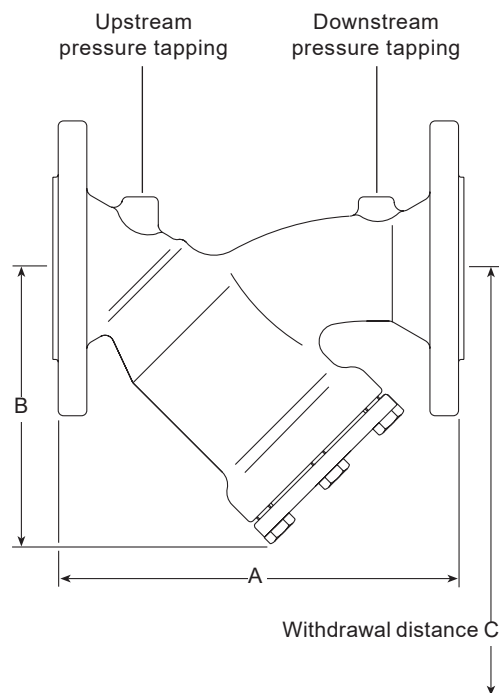
For conversion:

$Cv (UK) = Kv \times 0.963$

$Cv (US) = Kv \times 1.156$

## Dimensions/weights (approximate) in mm and kg

Size	PN16 A	ASME 150	B	C	Screening area cm <sup>2</sup>	Weight
DN15	130	-	69	101	28	2.1
DN20	150	-	82	125	46	2.9
DN25	160	-	90	140	79	3.8
DN32	180	-	114	198	135	6.6
DN40	200	-	127	210	161	9.0
DN50	230	233	150	248	251	10.5
DN65	290	288	162	263	325	17.5
DN80	310	311	178	272	360	20.0
DN100	350	-	210	323	540	24.0
DN125	400	396	253	393	840	38.0
DN150	480	482	293	454	1115	50.5
DN200	600	610	375	584	1905	88.0



## Safety information, installation and maintenance

For full details see the Installation and Maintenance Instructions (IM-S60-18) supplied with the product.

### Installation note:

The strainer should be installed in the direction of flow, as indicated on the body. On applications involving steam or gases the pocket should be in the horizontal plane. On liquid systems the pocket should point downwards. Suitable isolation valves must be installed to allow for safe maintenance and trap replacement.

### Maintenance note:

Maintenance can be completed with the strainer in the pipeline.

### Disposal

The product is recyclable. No ecological hazard is anticipated with disposal of this product, providing due care is taken.

## How to order

Example: 1 off Spirax Sarco DN40 Fig 3716 strainer, flanged EN 1092 PN16 with austenitic stainless steel screen having 0.8 mm perforations and flanged screen cap.

## Spare parts

The spare parts available are shown in solid outline. Parts drawn in a grey line are not supplied as spares.

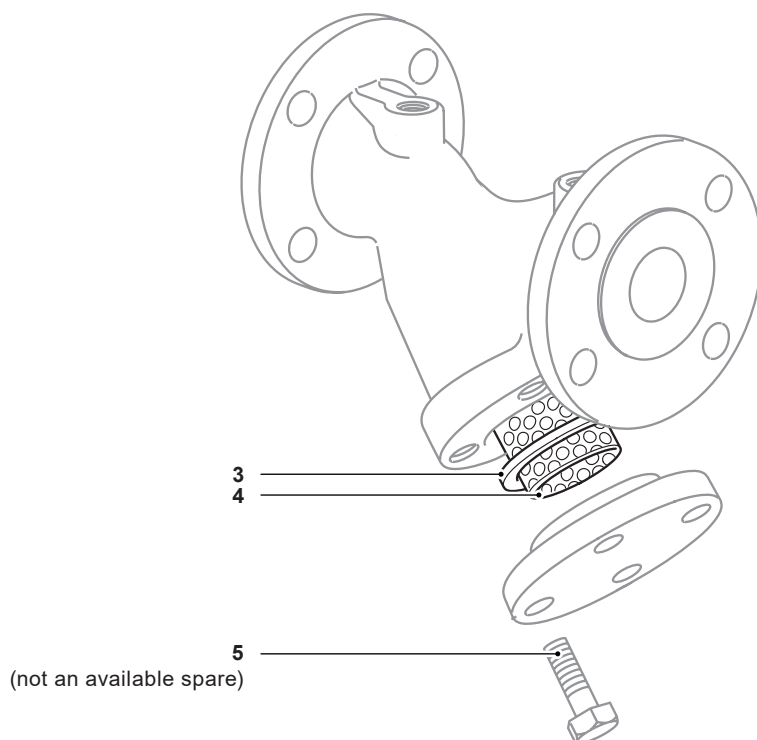
### Available spares

Strainer screen (state: perforations or mesh and size of strainer)			<b>4</b>
Cap gasket	DN15 to DN100	(packet of 3)	<b>3</b>
	DN125 to DN200	(1 off)	<b>3</b>



### How to order spares

Always order spares by using the description given in the column headed 'Available spares' and state the size and type of strainer and perforation or mesh required.

**Example:** 1 - Strainer screen, stainless steel having 0.8 mm perforations for a DN50 Spirax Sarco Fig 3716 strainer PN16.



### Recommended tightening torques

Item	Size	Qty	or		N m
					
5	DN15 and DN20	4	13	M8 x 20	15 - 20
	DN25	4	13	M8 x 20	15 - 20
	DN32 and DN40	4	13	M8 x 20	15 - 20
	DN50	4	17	M10 x 25	22 - 25
	DN65	4	17	M10 x 30	22 - 25
	DN80	6	17	M10 x 30	22 - 25
	DN100	6	19	M12 x 35	50 - 60
	DN125	8	19	M12 x 40	50 - 60
	DN150	8	19	M12 x 40	50 - 60
DN200	8	24	M16 x 50	100 - 110	