

## Fig 12 Bronze Strainers

### Description

The Fig 12 is a bronze screwed Y-type strainer. The standard stainless steel screen is 0.8 mm perforations. As options, other perforations and mesh sizes are available as well as monel screens. The strainer cap can be drilled and tapped for blowdown and drain valves if required.

### Standards

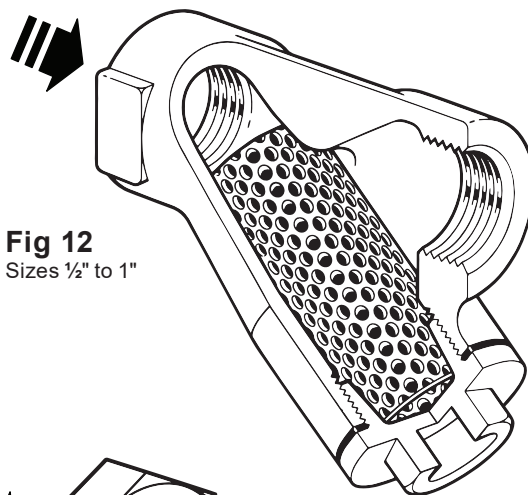
This product fully complies with the requirements of the EU Pressure Equipment Directive/UK Pressure Equipment (Safety) Regulations and carry the **CE** mark when so required.

### Certification

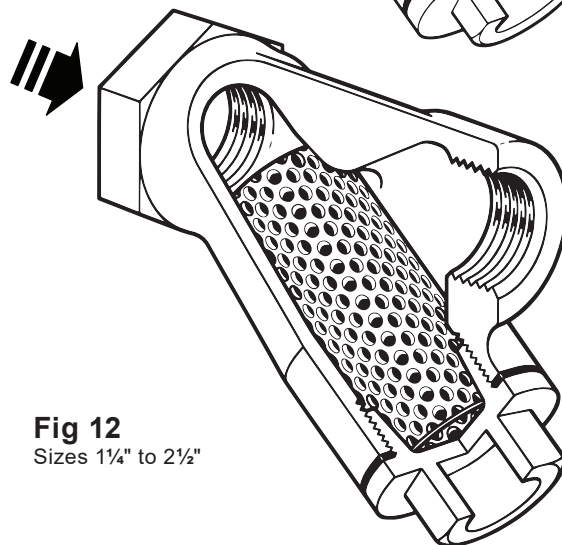
This product is available with a manufacturer's Typical Test Report for the body and cap.  
**Note:** All certifications/inspections requirements must be stated at the time of order placement.

### Sizes and pipe connections

**Fig 12 Bronze** ½", ¾", 1", 1¼", 1½", 2" and 2½"  
**Connections:** Screwed BSP (BS 21) or NPT



**Fig 12**  
 Sizes ½" to 1"



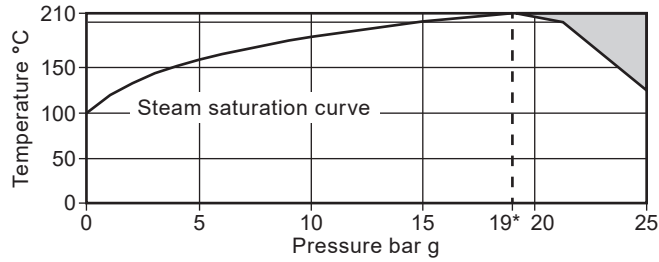
**Fig 12**  
 Sizes 1¼" to 2½"

### Optional extras

Strainer screens	Material	Perforations	1.6, 3.0 mm
		Mesh	40, 100, 200
	Monel	Perforations	0.8, 3.0 mm
		Mesh	100
Blowdown or drain valve connections	Strainer size	Blowdown valve	Drain valve
	½"	¼"	¼"
	¾" and 1"	½"	½"
	1¼" and 1½"	1"	1"
	2" and 2½"	1¼"	1¼"

**Blowdown or drain valve connections**  
 The cap can be drilled to the following sizes to enable a blowdown or drain valve to be fitted at extra cost.

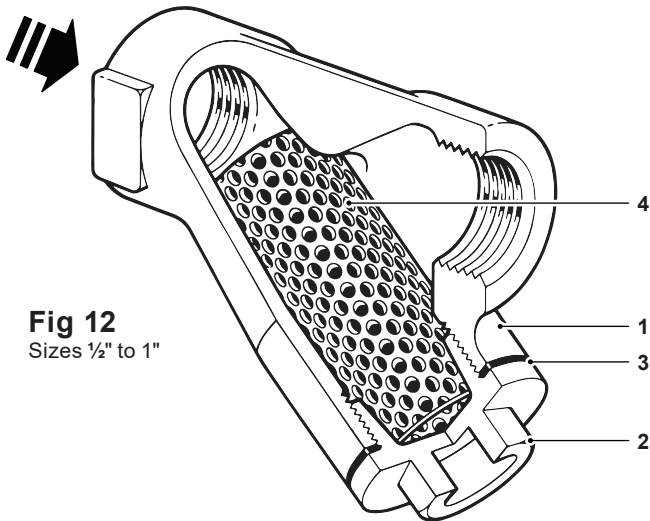
## Pressure/temperature limits



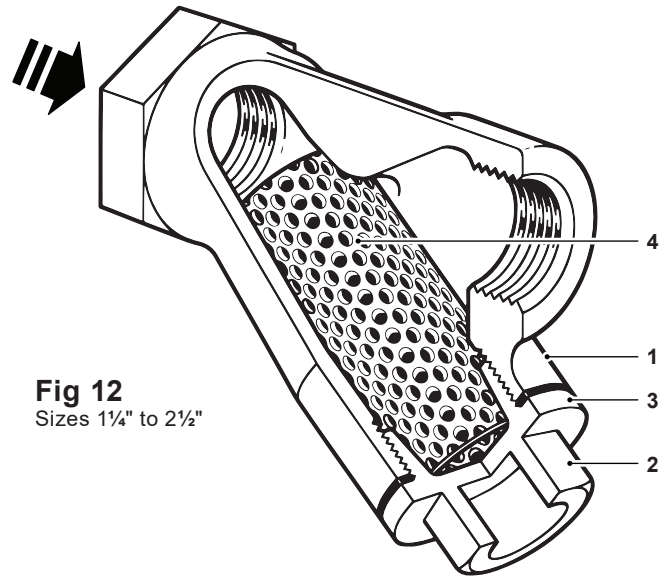
The product **must not** be used in this region.

Body design conditions	PN25
PMA Maximum allowable pressure	25 bar g
TMA Maximum allowable temperature	210 °C
Minimum allowable temperature	-198 °C
*PMO Maximum operating pressure for saturated steam service	
Designed for a maximum cold hydraulic test pressure of:	38 bar g

## Materials



**Fig 12**  
Sizes 1/2" to 1"



**Fig 12**  
Sizes 1 1/4" to 2 1/2"

No.	Part	Material
1	Body	Bronze EN 1982 CC491K
2	Cap	Brass EN 12165 CW617N
3	Cap gasket	Reinforced exfoliated graphite
4	Strainer screen	Stainless steel ASTM A240 316 L

## Kv values

Size	1/2"	3/4"	1"	1 1/4"	1 1/2"	2"	2 1/2"
Perforations 0.8, 1.6 and 3 mm	3	6.2	11.3	26	41	68	98
Mesh 40 and 100	3	6.2	11.3	26	41	68	98
Mesh 200	3	6.2	9.3	21	33	55	78

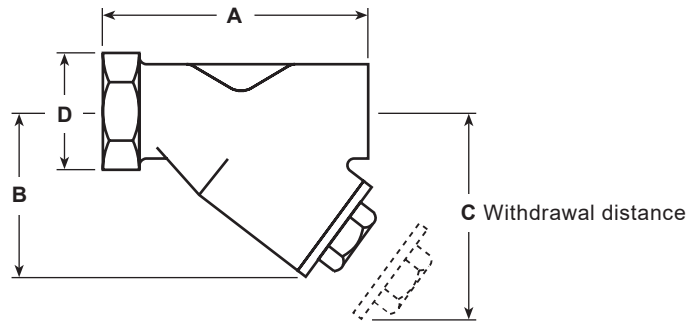
For conversion:

Cv (UK) = Kv x 0.963

Cv (US) = Kv x 1.156

## Dimensions/weights

(approximate) in mm and kg



### Bronze body

Size	A	B	C	D	Screening area cm <sup>2</sup>	Weight
1/2"	72	54	85	30 A/F	27	0.55
3/4"	82	64	110	36 A/F	43	0.70
1"	104	72	130	46 A/F	73	1.00
1 1/4"	138	100	170	52 A/F	135	1.60
1 1/2"	150	110	190	60 A/F	164	2.10
2"	178	133	212	79 A/F	251	4.80
2 1/2"	207	152	240	98 A/F	327	7.70

## Safety information, installation and maintenance

For full details see the Installation and Maintenance Instructions (IM-S26-01) supplied with the product.

### Installation note:

The strainer should be installed in the direction of flow, as indicated on the body. On applications involving steam or gases, the pocket should be in the horizontal plane. On liquid systems the pocket should point downwards. Suitable isolation valves must be installed to allow for safe maintenance and trap replacement.

### Maintenance note:

Maintenance can be completed with the strainer in the pipeline, once the safety procedures have been observed. It is recommended that a new gasket is used whenever maintenance is undertaken.

### Disposal

The product is recyclable. No ecological hazard is anticipated with disposal of this product, providing due care is taken.

## How to order

**Example:** 1 off Spirax Sarco 1 1/2" Fig 12 bronze strainer with screwed BSP connections and stainless steel screen having 0.8 mm perforations.

## Spare parts

The spare parts available are shown in solid outline. Parts drawn in a grey line are not supplied as spares.

### Available spares

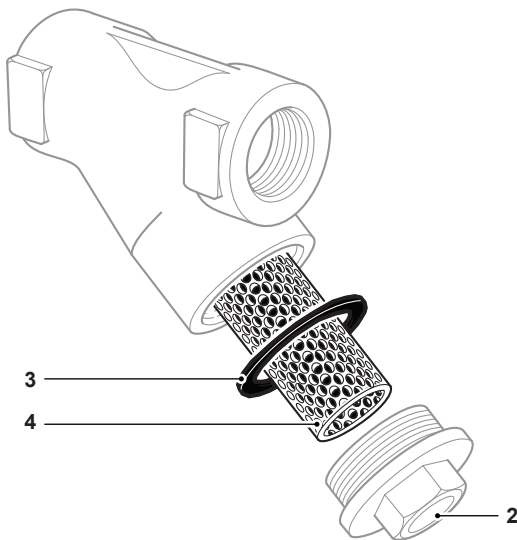
Strainer screen (state material, size of perforation or mesh and size of strainer)	4
Cap gasket (packet of 3)	3

### How to order spares

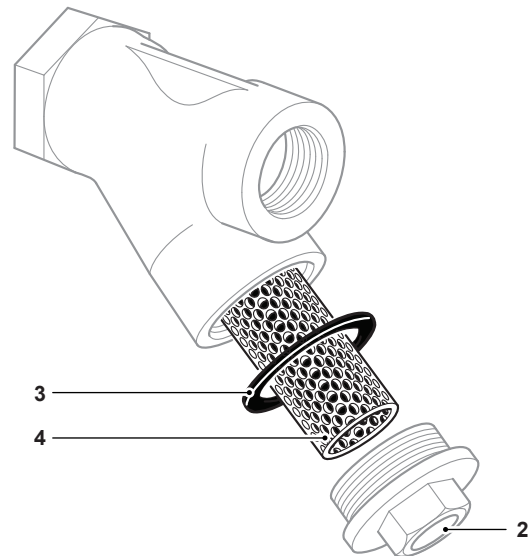
Always order spares by using the description given in the column headed 'Available spares' and state the size and type of strainer and perforations or mesh required.

**Example:** 1 - Stainless steel strainer screen having 0.8 mm perforations for a ¾" Spirax Sarco Fig 12 strainer.



**Fig 12**  
Sizes ½" to 1"



**Fig 12**  
Sizes 1¼" to 2½"



### Recommended tightening torques

Item	Size	Qty		or mm		N m
2	½"	1	22 A/F	M28		35 - 40
	¾"		27 A/F	M32		42 - 48
	1"		27 A/F	M42		70 - 80
	1¼"		41 A/F	M56		124 - 144
	1½"		41 A/F	M60		164 - 184
	2"		55 A/F	M72		234 - 264
	2½"		55 A/F	3¼"-16 UNS		300 - 330