



EP6

ATEX Electro-pneumatic Positioner

Description

The EP6 Electro-pneumatic positioner can control any valve that is actuated by a linear pneumatic actuator that conforms with NAMUR. It guarantees an exact proportionality between the stroke of the valve and the value of the electrical input signal (mA) into the positioner.

The EP6 has a cast aluminium housing that is also treated for outdoor installation. The unit can be mounted onto pneumatic actuators either rotary 55-90° or linear 20 to 150 mm.

The positioner can be supplied without a mounting kit or with a kit for rotary or linear actuators, the type must be specified when ordering.

As standard the EP6 is equipped with a pressure gauge to indicate air pressure command sent to the pneumatic actuator. The positioner is supplied for a control signal in mA and for an air supply pressure up to 7 bar.

The EP6 positioner can also be used to reverse the action of the control signal.

Air supply

The EP6 positioner must be provided with a high quality air supply to ISO 8573-1:2010 Class 3:3:3.

Applications

The EP6 can be used with any actuator that conforms to NAMUR, this includes all of the following Spirax Sarco pneumatic actuators:

BVA300 rotary

PN1600

PNS3000 and PNS4000 series

PN9000 series

TN2000 series



ATEX rating

Flameproof. II 2G Ex db mb IIB T5 Gb
 Not intrinsically safe.



INMETRO (Brazil) Ex db mb IIB T5 Gb



CCC (China) Ex d mb IIB T5 Gb



UKEX rating

Flameproof. II 2G Ex db mb IIB T5 Gb
 Not intrinsically safe.

Materials

Part	Material	Finish
Case and cover	Die cast aluminium	Anti-corrosive paint to RAL9016
Mounting bracket	Steel	EP protected
Feedback pin	Stainless steel	
Feedback lever	Stainless steel	
Feedback pin locator	Stainless steel	
Screws	Stainless steel	

Technical data

Input signal range	4-20 mA
Impedance	Max 250 +/- 15 Ω
Air supply	1.4 to 7.0 bar (regulate 0.4 to 0.7 bar above actuator spring range)
Air quality	ISO 8573-1:2010 Class 3:3:2
Output pressure	0 to 100% supply pressure
Actuator stroke	20 mm to 150 mm or 55° to 90°
Action	Single acting/fail vent/Double acting
Operating temperature	-20 °C to +60 °C
Air flow	80 LPM @ 1.4 bar
Steady state air consumption	2.5 LPM @ 1.4 bar
Air connections	¼" NPT female
Sensitivity	Single +/- 0.2% F.S. (Full Scale)
	Double +/- 0.5%
Hysteresis	+/- 1% F.S.
Linearity	Single +/- 1%F.S.
	Double +/- 2% F.S.
Repeatability	+/- 0.5% F.S
Electrical connections	Cable gland M20 internal, terminals for conductors from 0.5 to 2.5 mm ² wire
Degree of protection	IP66
Characteristic	Linear
	Linear 3.0 kg (positioner only)
Shipping weight	Mounting Kits for Linear EY3 and EY4 - 1.3 kg, UY1,2,3 - 0.9 kg, UBC - 0.2 kg
	Rotary 4.4 kg (Positioner and mounting kit)

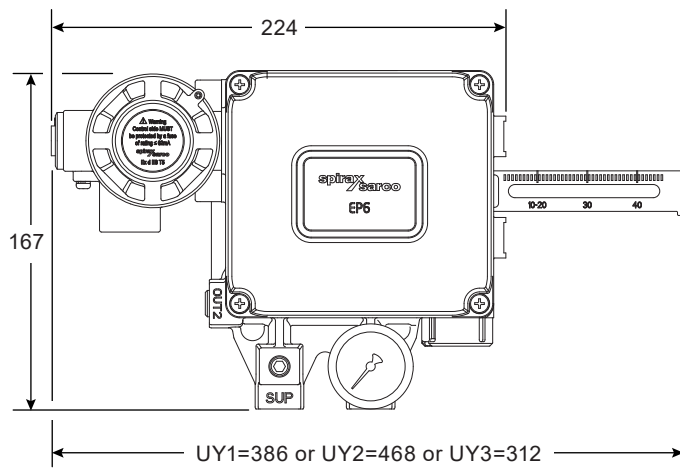
Positioner options

Basic model	Aluminium enclosure	EP6
Acting type	Single acting	S
	Double acting	D
	Single Acting + Reduced Orifice Ø 1	A
Mounting type	Linear - See page 4 for Mounting Kit selection	L
	Rotary - Mounting Kit included	R
Hazardous area protection	Safe Area	S
	Flameproof Ex d (UKEX, ATEX, IECEx, KCs)	A
	Flameproof Ex d (CCC, NEPSI, UKEX, ATEX, IECEx)	C
	Flameproof Ex d (INMETRO)	M
Electrical and Air connection	M20 -¼" NPT	1
Non standard features	Standard model	A
	Standard Model + Supply Pressure Gauge	B
Ordering Code Example:	<div style="display: flex; align-items: center; gap: 10px;"> <div style="border: 1px solid black; padding: 2px 10px;">EP6</div> <div style="border: 1px solid black; padding: 2px 10px;">S</div> <div style="border: 1px solid black; padding: 2px 10px;">L</div> <div style="border: 1px solid black; padding: 2px 10px;">A</div> <div style="border: 1px solid black; padding: 2px 10px;">1</div> <div style="margin: 0 5px;">-</div> <div style="border: 1px solid black; padding: 2px 10px;">A</div> </div>	

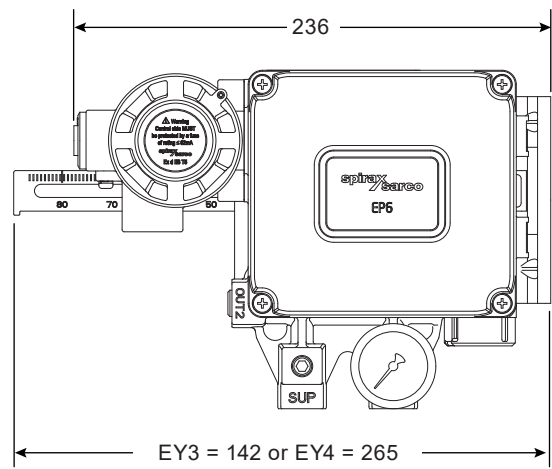
Safety information, installation and maintenance

Full details are contained in the EP6 Electro-pneumatic positioner Installation and Maintenance Instructions.

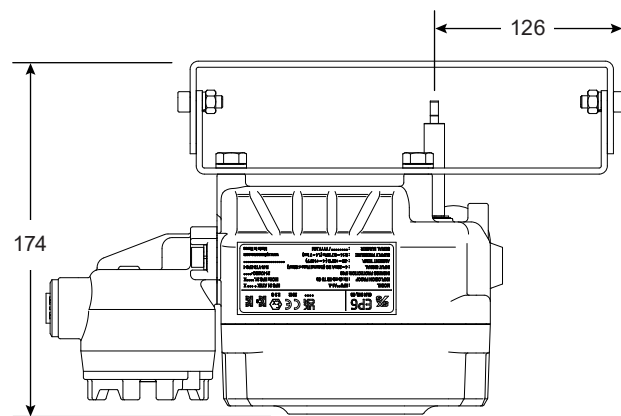
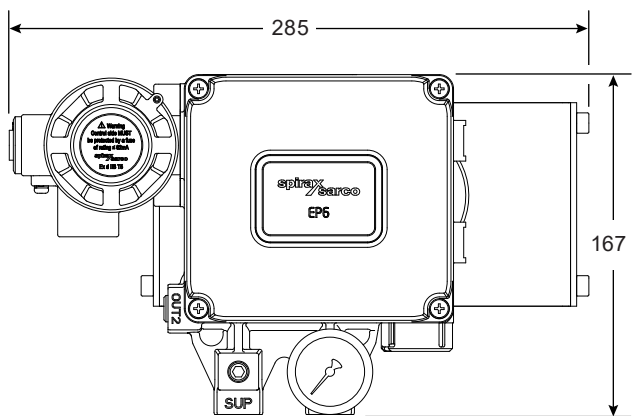
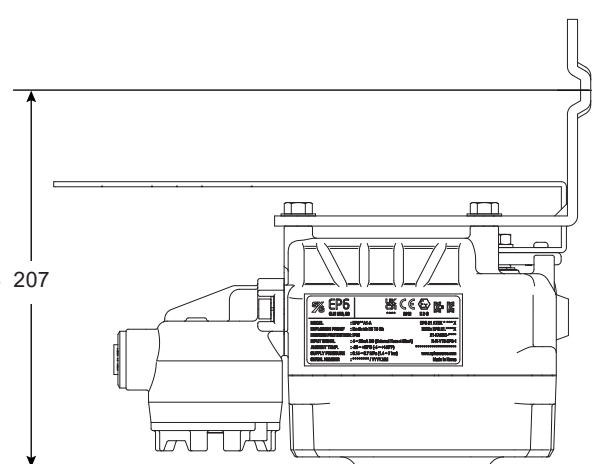
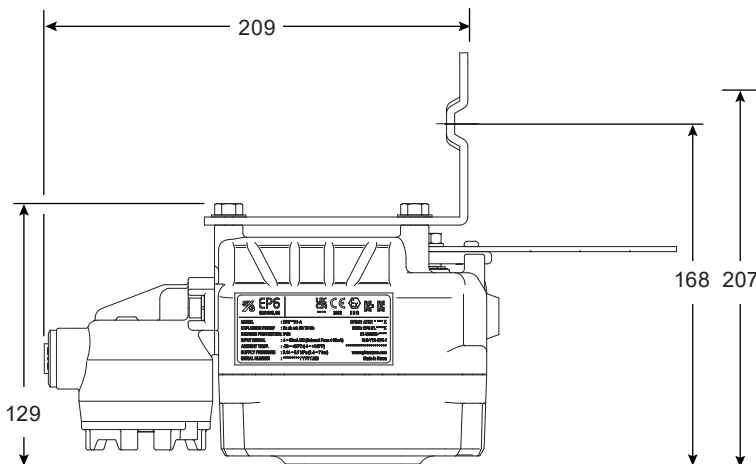
Dimensions (approximate) in mm



Linear left mounted



Linear centrally mounted



Rotary mounted

Mounting/linkage kit : Positioners mounting kits will be supplied for central mounting as standard.

Mounting Position	Actuator Model	Valve Models	Valve Sizes	Spirax kit Nomenclature
Central	PN9100	Spira-trol™ two port and QL three port	DN15 to DN50	EY3
	PN9200		DN15 to DN100	
	PN9300		DN125 to DN300	
	PN9400	Spira-trol™ two port and QL three port	DN15 to DN100	EY3
	TN2150		DN125 to DN300	EY4
	TN2300			EY3
	TN2400			EY4
	TN2270			EY4
	PN3000 Sprg Ext	LE, LEA and Steri-trol	DN15 to DN100	EY3
	PN4000 Sprg Ret			
	PN5000	KE, KEA, LE and LEA	DN15 to DN100	EY3 + UBC
	PN6000			
	PN5000	QL three port	DN125-DN200	EY4 + UBC
	PN6000			
Left side	PN9100	Spira-trol™ two port and QL three port	DN15 to DN50	UY3
	PN9200		DN15 to DN100	
	PN9300		DN125 to DN300	
	PN9400	Spira-trol™ two port and QL three port	DN15 to DN100	UY1
	TN2150		DN125 to DN300	Not compatible
	TN2300		DN125 to DN300	UY1
	TN2400			UY3
	TN2270			UY3
	PN3000 Sprg Ext	LE, LEA and Steri-trol	DN15 to DN100	UY3 + UBC
	PN4000 Sprg Ret			
	PN5000	KE, KEA, LE and LEA	DN15 to DN100	EY4 + UBC
	PN6000			
	PN5000	QL three port	DN125-DN200	UY1
	PN6000			
	PN1600	'C' series	DN65 to DN100	UY2
	PN1600	'C' series	DN125 to DN200	UY1
	PN1600	Spira-trol™	DN125 to DN300	

Customer requirement example:

1 off Electro-pneumatic positioner for use with single acting PN9300 actuator, having 30 mm stroke and ATEX approved.

How to order

Example: 1 off Spirax Sarco EP6SLA1-A Electro-pneumatic Positioner + EY3 mounting kit.

Caution: The EP6 positioner must have a high quality air supply to ISO 8573-1:2010 Class 3:3:2.