



Cert. No. LRQ 0963008

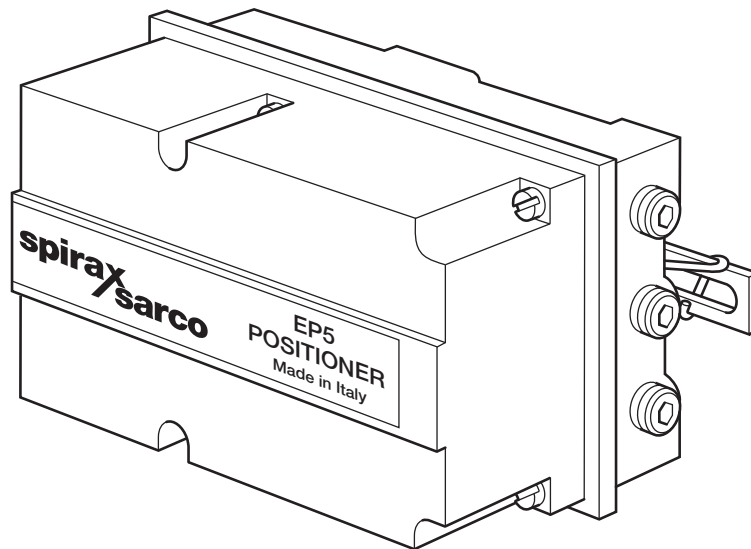
ISO 9001

spirax sarco

EP5

TI-P343-08
CH Issue 6

Electropneumatic Positioner and ISP5 Intrinsically Safe Electropneumatic Positioner



Description

The EP5 is a 2-wire positioner requiring a 4-20 mA input signal, and is for use with linear pneumatic actuators. The positioner compares the electrical signal from a controller with the valve position feedback and varies a pneumatic output signal to the actuator accordingly. The valve position is therefore guaranteed for any controller output signal and the effects of varying differential pressure, stem friction and diaphragm hysteresis are overcome. A mounting kit is supplied with each positioner for mounting to either columns or yoke in accordance with NAMUR standard. Safety covers are provided.

Note: An intrinsically safe version, ISP5 is also available.

Applications

The positioners can be used with the following actuators:

Actuator types	
	PN9000 Series
	TN2000 Series

Technical data

Input signal range	4-20 mA
Output signal range	0 to 100% supply air pressure
Supply air pressure	1.4 bar to 6 bar
Stroke range	10 mm to 100 mm
Sensitivity	Less than 0.2% span
Input impedance	200 ohms
I max (maximum input signal)	50 mA
Temperature limitations	-15°C to +65°C
	IP65
Enclosure rating	ISP5 intrinsically safe to EEx ib II C T4 II 2 G TÜV approval
Air consumption	0.7 m ³ /h at 6 bar
Pneumatic connections	¼" NPT
Electrical connections	PG13.5
Voltage rating	Minimum 5 Vdc Maximum 24 Vdc

Materials

Body and cover	Die cast aluminium with anti-corrosive paint
-----------------------	--

Accessories

A fixing kit is available to mount an air filter/regulator to the pneumatic actuator.

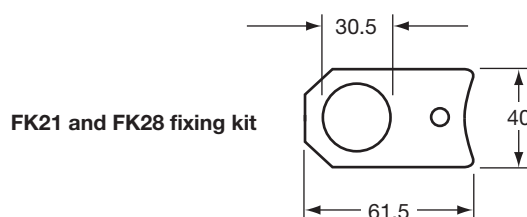
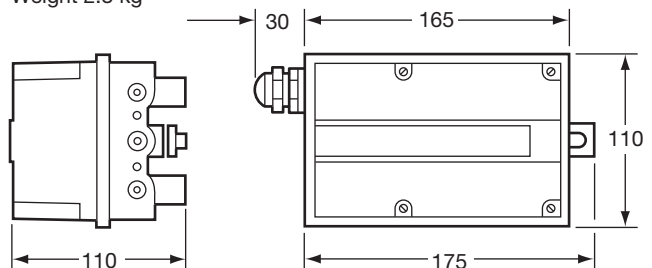
Fixing kit	Actuator type
FK21	PN9100 Series
FK28	PN9200 or PN9300 Series

How to order

Example: 1 off Spirax Sarco EP5 electropneumatic positioner.

Dimensions (approximate) in mm

Weight 2.8 kg



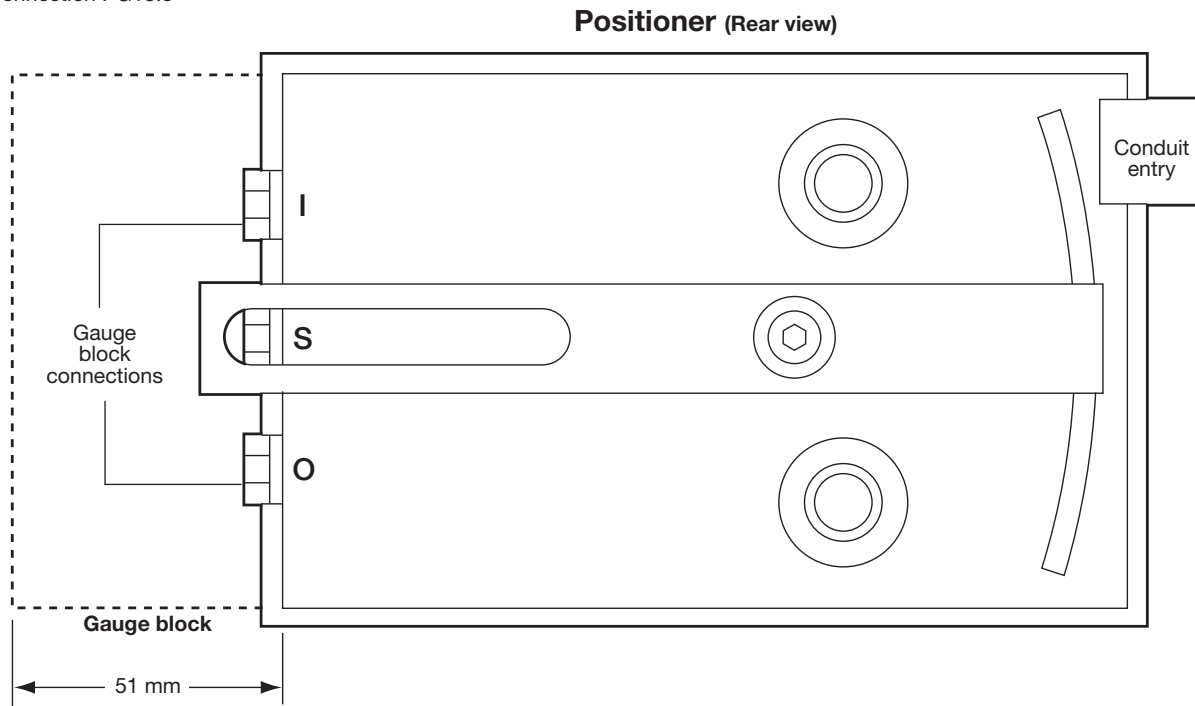
Safety information, installation and maintenance

Full details are contained in the appropriate Installation and Maintenance Instructions supplied with the product.

Air and electrical connections (rear view)

Air connection 1/4" NPT

Cable connection PG13.5



Spares

Gauge	0-2 bar output
Gauge	0-4 bar output
Gauge	0-7 bar output
Springs and pneumatic tube set	
Set of gaskets, diaphragms and orifice	
Amplifying relay set	
Block for gauges	

