



EL7200 Series Electric Actuators

Description

EL7200 series electric actuators are available for use with the following supply voltages: 230 Vac, 115 Vac and 24 Vac. This range of electric actuators has three user-configurable control modes as standard:

- (VMD) Valve Motor Drive,
- (0/4 - 20 mA) modulating control or
- (0/2 - 10 Vdc) modulating control.

When they have been fitted to a control valve they provide modulating control or on/off action.

EL7200 series electric actuators can be used with the following valves:

2-port	Spira-trol™	
	BX, BM, SB, KA, KB, KC and NS	
3-port	TW valves (DN20 - DN50)	
	QLD and QLM (DN15 - DN50)	
EL7200	Mounting flange (DN15 - DN50)	EL7021
	Linkage LE, KE Series (DN15 - DN50)	EL7020
Adaptor	For self-acting valves (DN15 - DN50)	EL7012

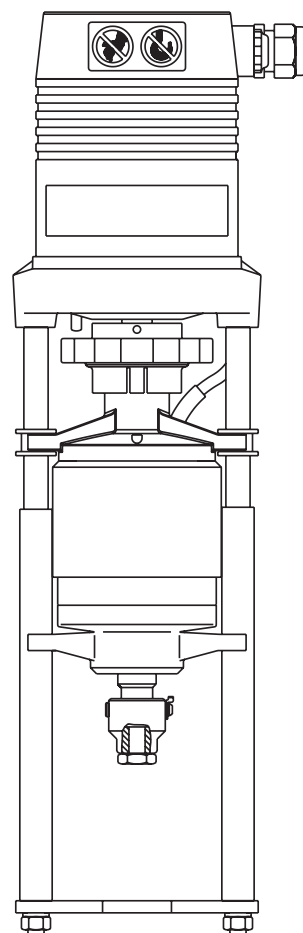
Operation

The drive mechanism consists of a stepper motor and a planetary gearbox that converts a rotary motion to a linear motion. An integrally installed contactless hall-sensor for permanent positioning control, switches off the motor in the maximum travel position of the valve.

Options and accessories

IP65 construction.

24 Vdc motor for rectified ac.



EL7211A-SE

Technical data

Model	EL7211A-SE	EL7212A-SE	EL7213A-SE
Supply voltage	230 Vac	115 Vac	24 Vac
Frequency Hz	50 / 60 Hz ± 5%		
Travel	20 mm		
Power consumption VA	20 VA	25 VA	20 VA
Enclosure rating	IP54		
Actuator speed	0.17 - 0.25 mm/s		
Actuator thrust	1.0 kN		
Ambient limitations	-10 °C to + 60 °C		
Motor	Stepper motor		
Terminations	1.5 mm		
Conduit entries	1 x M16 x 1.5 1 x M20 x 1.5		
Control signal	0 - 10 Vdc 2 - 10 Vdc 4 - 20 mA VMD		
Spring reserve	Yes		
Manual override	Yes		

Maximum differential pressures for Class IV shut-off (metal-to-metal)

KE, LE, KEA and LEA with PTFE or Graphite stem seal

Valve size			DN15	DN20	DN25	DN32	DN40	DN50						
Kv			4.0	6.3	10	16	25	36						
Valve travel			20 mm											
Valve type	Actuator type	Voltage	Differential pressure (bar)											
			PTFE	Graphite	PTFE	Graphite	PTFE	Graphite	PTFE	Graphite	PTFE	Graphite	PTFE	Graphite
KE 2-port and LE 2-port	EL7211A-SE	230	29.7	14.8	22	10	12	4.8	10.3	4.2	2.6		1.2	
	EL7212A-SE	115	29.7	14.8	22	10	12	4.8	10.3	4.2	2.6		1.2	
	EL7213A-SE	24	29.7	14.8	22	10	12	4.8	10.3	4.2	2.6		1.2	

Maximum differential pressures for Class VI shut-off (soft seal)

KE, LE, KEA and LEA with PTFE or Graphite stem seal

Valve size			DN15	DN20	DN25	DN32	DN40	DN50						
Kv			4.0	6.3	10	16	25	36						
Valve travel			20 mm											
Valve type	Actuator type	Voltage	Differential pressure (bar)											
			PTFE	Graphite	PTFE	Graphite	PTFE	Graphite	PTFE	Graphite	PTFE	Graphite	PTFE	Graphite
KE 2-port and LE 2-port	EL7211A-SE	230	40	29.7	35	23.2	23	15.5	18	11.9	7.7	5.1	5.5	3.6
	EL7212A-SE	115	40	29.7	35	23.2	23	15.5	18	11.9	7.7	5.1	5.5	3.6
	EL7213A-SE	24	40	29.7	35	23.2	23	15.5	18	11.9	7.7	5.1	5.5	3.6

Maximum differential pressures for Modulating duty only

QLD and QLM 3-port valves with PTFE or Graphite stem seal

Valve size			DN15	DN20	DN25	DN32	DN40	DN50						
Kv			4.0	6.3	10	16	25	36						
Valve travel			20 mm											
Valve type	Actuator type	Voltage	Differential pressure (bar)											
			PTFE	Graphite	PTFE	Graphite	PTFE	Graphite	PTFE	Graphite	PTFE	Graphite	PTFE	Graphite
QLD 3-port and QLM 3-port	EL7211A-SE	230	26.6	12	26.6	12	15.3	6.4	9.2	3.7	5.6	2	3.2	1
	EL7212A-SE	115	26.6	12	26.6	12	15.3	6.4	9.2	3.7	5.6	2	3.2	1
	EL7213A-SE	24	26.6	12	26.6	12	15.3	6.4	9.2	3.7	5.6	2	3.2	1

Materials

No.	Part	Material
1	Actuator case	Glass filled Polymer
2	Handwheel	POM
3	Cable inlet	PA
4	Pillar	Steel BZP passivated
5	Linkage	
6	Mounting flange	

Dimensions / weights (approximately) in mm and kg

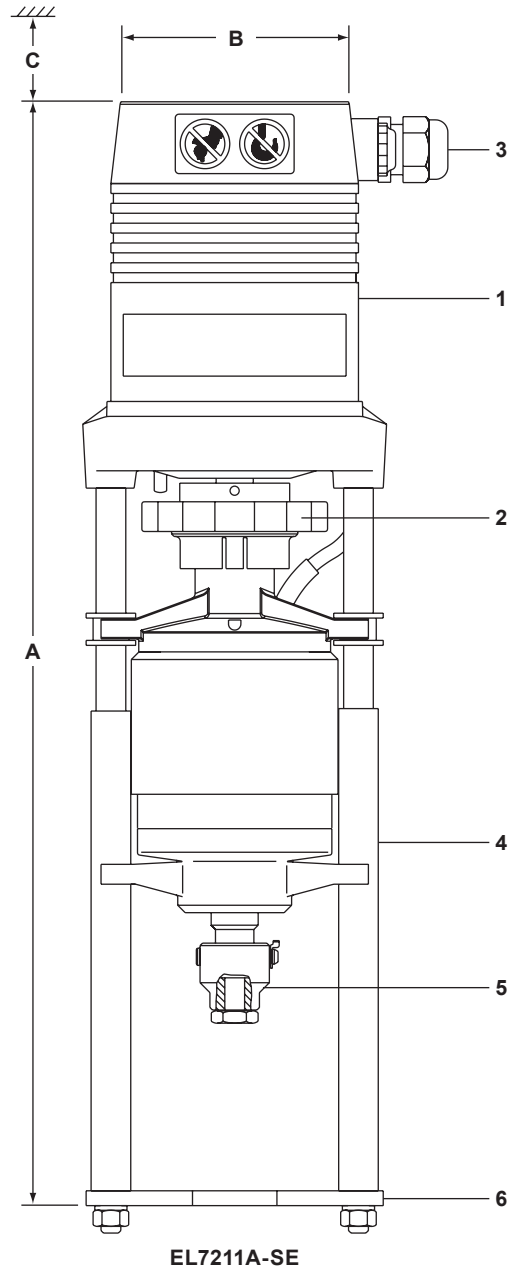
Actuator range	A	B	C*	Weight
EL7211A-SE	471	100	140	3.0
EL7212A-SE	471	100	200	3.0
EL7213A-SE	446	100	200	3.0

* Actuator cover removal distance

EL7200 series selection guide

Ordering a control valve

Type	EL = Electric	EL
Series	7 = 7000 series	7
Actuator thrust	2 = 1.0 kN	2
Actuator travel	1 = 20	1
Voltage	1 = 230 Vac	1
	2 = 115 Vac	
	3 = 24 Vac	
Control mode	A = 0/4 - 20 mA + 0/2 - 10 Vdc + VMD	A
Failure mode	SE = Spring extend	SE



How to order

Example: 1 off EL7211A-SE 230 Vac electric actuator with spring extend.

Spares

Spare parts are available as indicated. No other parts are available as spares.

Linkage (DN15 to DN50)	5
Mounting flange (DN15 to DN50)	6

How to order spares

Always order spares by using the description given above and state exactly which product they are for.

Example: 1 - Mounting flange for a EL7211A-SE 230 Vac electric actuator.