



EL5060 and EL5061 Series Electric Actuators (Spring Reserve)

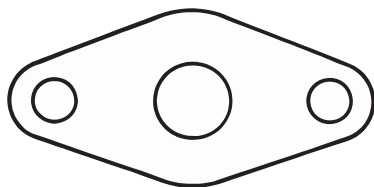
Description

The EL5060 and EL5061 series actuators are reversible actuators having a linear output with power fail, spindle extend. These actuators are suitable for either two position or modulating control dependent on the controller or other switching device providing the input signal. These actuators can be used with the following valves:

2-port KE31, KE33, KE43, KE71, KE73 and R63, RB33, RB43, RB63, RB73

3-port Q33, Q43, Q73, QB33, QB43 and QB73

Note: Fixing kit EL3806 is required when using DN15 to DN50 KE type valves.



EL3806 fixing kit
 (For use with with DN15 to DN50 KE valves)

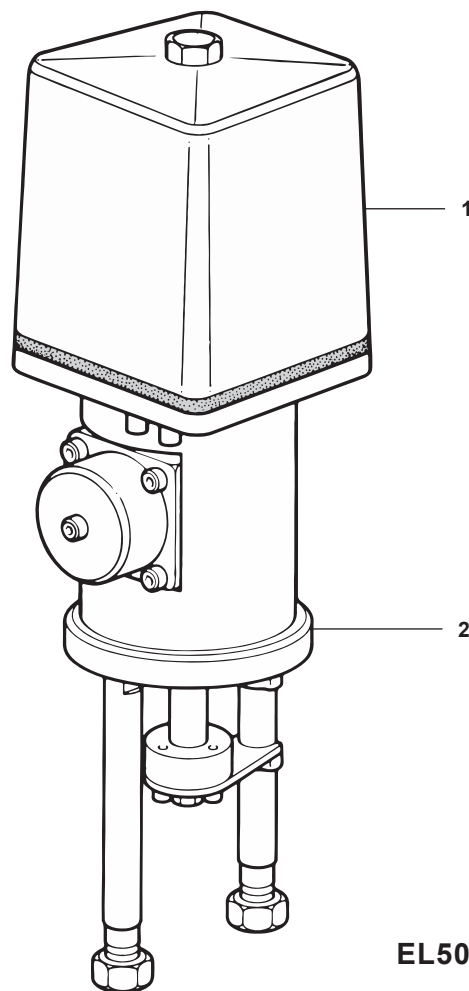
Available types

Actuator operation	Actuator type
Spring reserve 220/240 Vac	EL5060
Spring reserve 24 Vac	EL5061

110 V version available on request.

Technical data

Model	EL506_	
Supply voltage	220/240 Vac + 20% - 10% or 24Vac ± 10%	
Supply frequency	50 Hz	
Power consumption	6.8 W (run) 15 W (hold)	
Enclosure rating	IP54	
Actuator speed (mm/s)	0.29 Under power	
Ambient limits	0-50 °C	
Reseat time at no voltage (seconds)	8.5	30 mm stroke
	5.5	20 mm stroke
Motor	Split phase capacitor reversing	
Terminations (accept)	1 x 4 mm ² cable	
Transfer switching	5 A, 250 Vac (2 switches)	
Conduit entries	4 x Pg11 connections with plastic covers	



EL506_

Materials

No.	Part	Material
1	Case	Polycarbonate
2	Housing	Steel

Available accessories

EL5804 - Anti-condense heater.

EL5806 - 2 switch pack.

EL5807 - Auxiliary feedback potentiometer and gear.

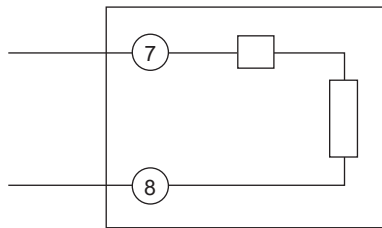
EL5808 - Auxiliary feedback potentiometer without gear.

Technical data

Accessory type	Specification
EL5804	4 watt
EL5806	15 A resistive at 250 Vac
EL5807 and EL5808	1000 ohms, 4 watt

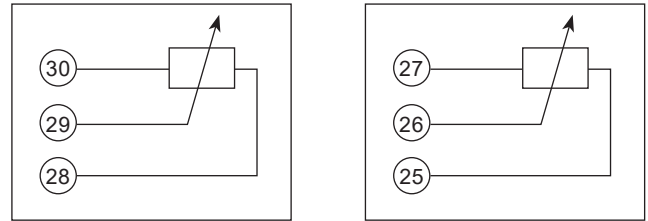
Wiring diagrams

EL5804 anti-condense heater



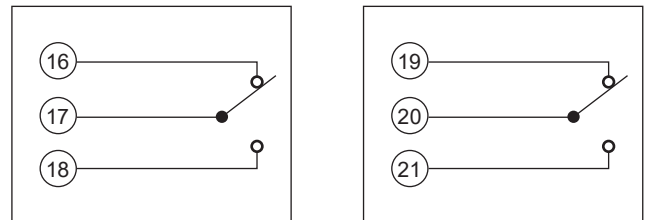
Anti-condense heater

EL5807 and EL5808 auxiliary potentiometers



1000 Ω feedback potentiometers

EL5806 auxiliary switches



Adjustable travel switches

How to order

Example: 1 off EL5807 auxiliary feedback potentiometer and gear train.

How to select

EL5000 Series	Valve type	Valve material and PN rating	Actuator voltage ac/50 Hz	Actuator speed mm/s	Valve sizes and differential pressures (Δp) bar										
					Size DN	15	20	25	32	40	50	65	80	100	
					Stroke mm	20					30				
					K_{vs} value	0.4	1.0	6.3	10	16	25†	36	63	100	160
1.6	4.0														
Spring return	2-port	CI PN16 CS PN40 SS PN40	220/240	0.29	18.0	18.0	10.3	7.4	3.6	2.0	1.2	0.5	0.3		
EL5060															
EL5061															
EL5060	3-port	CI PN16	220/240	0.29	18.0	18.0	10.3	7.4	3.6	2.0	1.2	0.5	0.3		
EL5061		CS PN40	24												

† Note: K_{vs} value of 6.3, 10 and 16 available on demand for DN40 valves.

Selection example

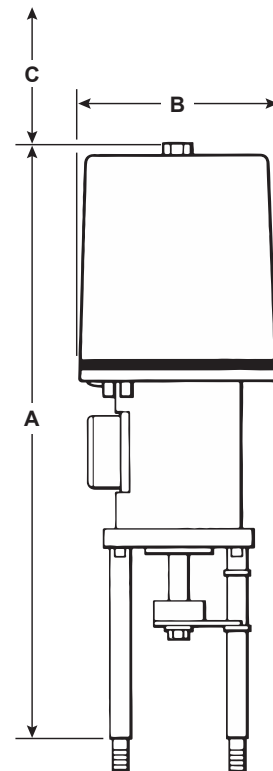
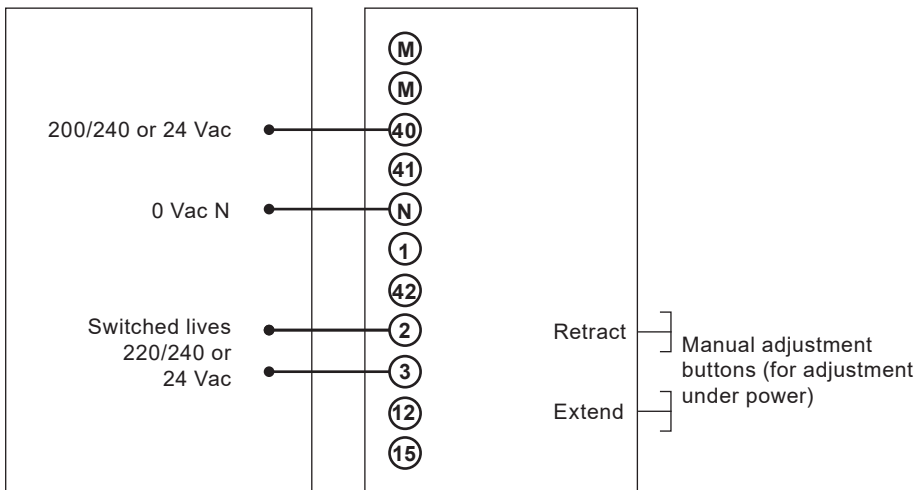
Control valve:	DN20 KE43 2-port valve
Max Δp :	12 bar
Electrical supply:	240 Vac
Actuator selected:	EL5060
EL3806 linkage	

Dimensions/weights (approximate) in mm and kg

Model	A	B	C	Weight
EL506_	445	162	170	8.7

Wiring diagram

for power fail return actuators: EL5060 and EL5061



Installation and wiring

The actuator should preferably be mounted above the valve, but in any case should not be mounted below it. Ensure the actuator is coupled to the valve before power is applied and wiring meets local regulations.

How to order

Example: 1 off Spirax Sarco EL5060 spring reserve electric actuator.