

Dri-Line Mk3 Monnier Compressed Air Drain Trap

Description

The Monnier Dri-Line Mk3 is an automatic float actuated drain used to drain air line drain legs and filters.

It is a normally open valve that is rated for use up to 17 bar g and 80°C. The valve is held closed by line pressure.

The pilot valve is never submerged in water, and its discharge is operated by system air pressure, producing a strong on-off action. The float which is extremely light, can't leak or hold fluid. All parts are corrosion proof.

The unit has a manual override to check proper functioning. Discharge is easily piped to remote locations. When the compressed air system is shut down, the valve returns to its normally open condition and water will drain away by gravity.

Principal features:

- Blast action discharge.
- High discharge capacity.
- Built-in strainer screen.
- Discharge can be piped to drain.
- Black anodised finish - internal and external.

Sizes and pipe connections

½" screwed BSP (BS 21 - Rp).

Optional extras

Discharge tube adaptor: to accept 5/16" o/d copper or plastic tube to discharge condensate to drain facility.

Operating limits

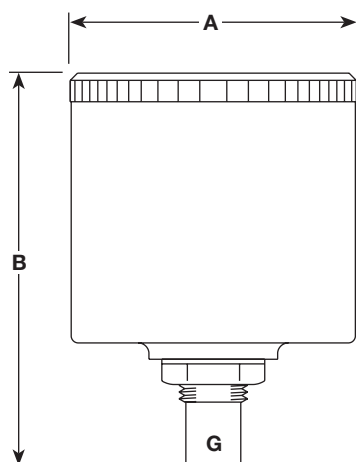
Maximum working pressure	17 bar g
Minimum operating pressure	0.1 bar g
Maximum working temperature	80°C
Maximum discharge capacity	20 L/h @ 6 bar

Materials

No.	Part	Material	
1	Body	Anodised aluminium	LM25WP
2	Autodrain mechanism	Acetal plastic / Stainless steel	
3	Strainer screen	0.8 mm perforated	316L
4	'O' ring	Nitrile	

Dimensions/weights (approximately) in mm and kg

Size	A	B	G	Weight
½"	64	81	1/8" NPTF	0.46



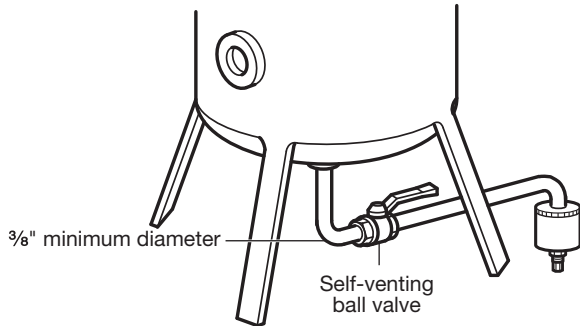
Safety information, installation and maintenance

For full details see the Installation and Maintenance Instructions (IM-P504-24) supplied with the product.

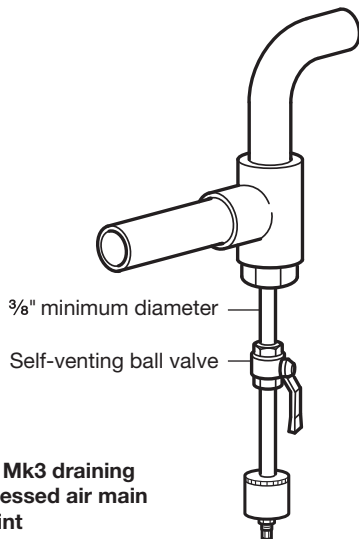
Installation note:

The Dri-Line should be fitted with the inlet port at the top, so that the float mechanism can rise and fall vertically.

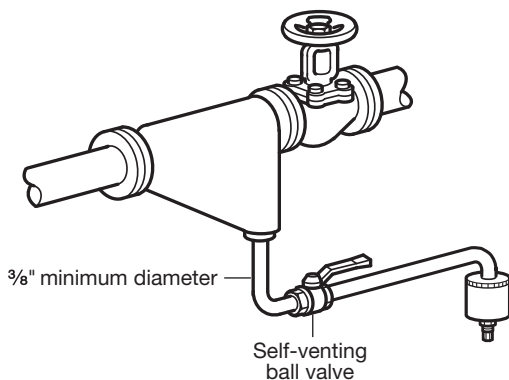
Typical installations:



Dri-Line Mk3 draining a receiver or larger filter



Dri-Line Mk3 draining a compressed air main relay point



Dri-Line Mk3 draining a separator on a compressed air main

How to order

Example: 1 off Dri-Line Mk3 Monnier compressed air drain trap having a female 1/2" screwed BSP (BS 21 - Rp) connection.

Note: If any optional extras are required, they must be clearly specified on the order.

Spare parts

The spare parts available are detailed below. No other parts are supplied as spares.

Available spares

Internal autodrain mechanism and strainer cap 'O' ring	A, B
--	-------------

How to order spares

Always order spares by using the description given in the column headed 'Available spares', and state the type of trap.

Example: 1 - Internal autodrain mechanism and strainer cap 'O' ring for a Dri-Line Mk3 Monnier compressed air drain trap.

