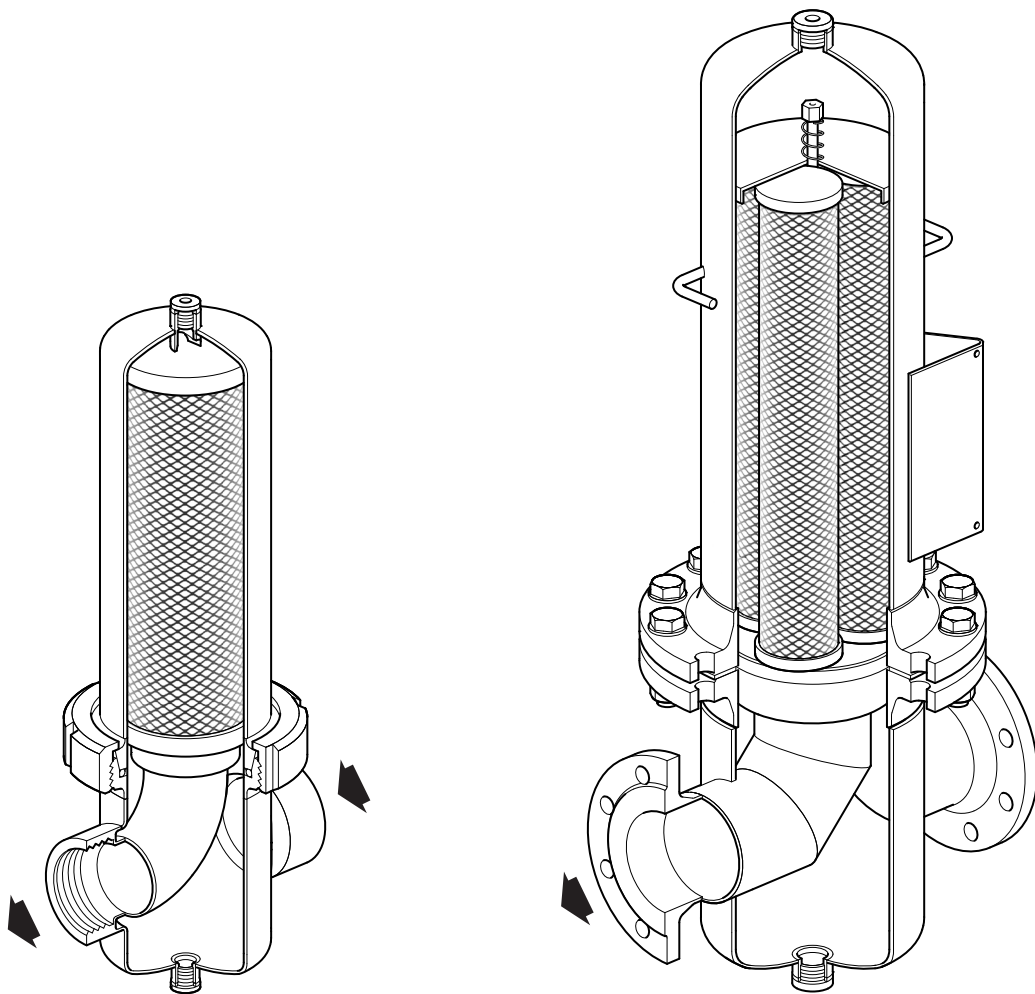




CSF16 and CSF16T Stainless Steel Sterile Air Filters

Description

The CSF16 and CSF16T are horizontal, in-line high efficiency filters used to remove contaminate particles and bacteria from compressed air systems.



DN8 to DN80

DN100 and DN150



The filter housings are available in a choice of austenitic stainless steel and the material grades are defined in the table below. Also referenced is the surface finish and connection type that differ depending on the size of the housing.

Filter Housing model	Sizes	Material of Filter Housing (Bowl and Head)	Connection type (Bowl and Head)	Internal surface finish	External surface finish
CSF16, CF16L*, CSF16H*	DN8 (¼") to DN80 (3")	1.4301 (304 stainless steel)	Food industry fitting to DIN 11851	Etched, Passivated and Polished Ra 0.8µm	Etched, Passivated and Polished Ra 1.6µm
	DN100 (4") and DN150 (6")		Nuts and Bolts		Etched and Passivated, Ra 5.8 micron
CSF16T, CF16LT*, CSF16HT*	DN8 (¼") to DN80 (3")	1.4404 (316L stainless steel)	Food industry fitting to DIN 11851	Etched, Passivated and Polished Ra 0.8µm	Etched, Passivated and Polished Ra 1.6µm
	DN100 (4") and DN150 (6")		Nuts and Bolts		Etched and Passivated, Ra 5.8 micron.

*In some pipe sizes the housing is available in a choice of low capacity designated 'L' and high capacity designated 'H'.

Replaceable borosilicate depth filter elements are available with a retention rate of >than 99.9998% related to 0.2 µm. For bacterial retention, Log Reduction Value (LRV) > 7/cm² for viruses and phages. These must be ordered separately to the filter housing.

Standards

These products fully comply with the requirements of the EU Pressure Equipment Directive/UK Pressure Equipment (Safety) Regulations and carry the  /  marks when so required.

Please note that all materials meet the requirements as stipulated by the US FDA Regulations.

The complete product and component parts are, manufactured, assembled, tested and packaged in a facility verified and approved by an accredited registered body to ISO 9001:2015.

Certification

The CSF16/CSF16T can be supplied with material certification as per the table below. Note: All certification/inspection requirements must be stated at the time of order placement.

Housing PED Category (SEP, Category I, Category II)	EN10204 Inspection Documents
SEP	No certification supplied
Cat. I	No certification supplied
Cat. II	Type 3.1 (Inspection Certificate) is supplied as standard

If type 3.1 certification is required for SEP or Cat. I Filter Housings, this must be ordered separately.

Filter Housings options matrix

CSF16 Filter Housing Options, PED Classification and Design Reference (PT Curve)

Filter Housing Size	Filter Housing code	Filter Housing Seal Material	Screwed Filter Housings (Design reference/PED Category)		Flanged Filter Housings (Design reference/PED Category)		
			BSP/NPT (PN10 Rating)	BSP/NPT (PN16 Rating)	EN 1092 (PN10 Rating)	EN 1092 (PN16 Rating)	EN 1735-1 (Class 150 Rating)
DN8 (¼")	CSF 16	EPM		Design Ref. 1/SEP			
DN10 (⅜")	CSF 16			Design Ref. 1/SEP		Design Ref. 1/SEP	
DN15 (½")	CSF 16			Design Ref. 1/SEP		Design Ref. 1/SEP	Design Ref. 3/SEP
DN20 (¾")	CSF 16			Design Ref. 1/SEP		Design Ref. 1/SEP	Design Ref. 3/SEP
DN25 (1")	CSF 16			Design Ref. 1/SEP		Design Ref. 1/SEP	Design Ref. 3/SEP
DN32 (1¼")	CSF 16			Design Ref. 1/SEP		Design Ref. 1/SEP	Design Ref. 3/SEP
DN40 (1½")	CSF 16			Design Ref. 1/SEP		Design Ref. 1/SEP	Design Ref. 3/Cat. I
DN50 (2")	CSF16L			Design Ref. 1/Cat. I		Design Ref. 1/Cat. I	Design Ref. 3/Cat. I
	CSF16H			Design Ref. 1/Cat. I		Design Ref. 1/Cat. I	Design Ref. 3/Cat. I
DN65 (2½")	CSF16			Design Ref. 1/Cat. I		Design Ref. 1/Cat. I	Design Ref. 3/Cat. I
DN80 (3")	CSF16L			Design Ref. 4/Cat. II		Design Ref. 1/Cat. II	Design Ref. 3/Cat. II
	CSF16H		Design Ref. 2/Cat. I		Design Ref. 2/Cat. I		Design Ref. 3/Cat. II
DN8 (¼")	CSF16	Fluoraz		Design Ref. 4/SEP			
DN10 (⅜")	CSF16			Design Ref. 4/SEP		Design Ref. 4/SEP	
DN15 (½")	CSF16			Design Ref. 4/SEP		Design Ref. 4/SEP	Design Ref. 5/SEP
DN20 (¾")	CSF16			Design Ref. 4/SEP		Design Ref. 4/SEP	Design Ref. 5/SEP
DN25 (1")	CSF16			Design Ref. 4/SEP		Design Ref. 4/SEP	Design Ref. 5/SEP
DN32 (1¼")	CSF16			Design Ref. 4/SEP		Design Ref. 4/SEP	Design Ref. 5/SEP
DN40 (1½")	CSF16			Design Ref. 4/SEP		Design Ref. 4/SEP	Design Ref. 5/Cat. I
DN50 (2")	CSF16L			Design Ref. 4/Cat. I		Design Ref. 4/Cat. I	Design Ref. 5/Cat. I
	CSF16H			Design Ref. 4/Cat. I		Design Ref. 4/Cat. I	Design Ref. 5/Cat. I
DN65 (2½")	CSF16			Design Ref. 4/Cat. I		Design Ref. 4/Cat. I	Design Ref. 5/Cat. I
DN80 (3")	CSF16L			Design Ref. 4/Cat. II		Design Ref. 4/Cat. II	Design Ref. 5/Cat. II
	CSF16H		Design Ref. 6/Cat. I	Design Ref. 4/Cat. II	Design Ref. 6/Cat. I	Design Ref. 4/Cat. II	Design Ref. 5/Cat. II
DN100 (4")	CSF16L	Stainless Steel/ PTFE Spiral Wound Gasket			Design Ref. 6/Cat. II	Design Ref. 4/Cat. II	Design Ref. 5/Cat. II
	CSF16H				Design Ref. 6/Cat. II	Design Ref. 4/Cat. II	Design Ref. 5/Cat. II
DN150 (6")	CSF16L				Design Ref. 6/Cat. II		
	CSF16H						

Not available

Filter Housings options matrix (continued)

CSF16T Filter Housing Options, PED Classification and Design Reference (PT Curve)

Filter Housing Size	Filter Housing code	Filter Housing Seal Material	Screwed Filter Housings (Design reference/PED Category)		Flanged Filter Housings (Design reference/PED Category)		
			BSP/NPT (PN10 Rating)	BSP/NPT (PN16 Rating)	EN 1092 (PN10 Rating)	EN 1092 (PN16 Rating)	EN 1735-1 (Class 150 Rating)
DN8 (¼")	CSF16T	EPM		Design Ref. 7/SEP			
DN10 (⅜")	CSF16T			Design Ref. 7/SEP		Design Ref. 7/SEP	
DN15 (½")	CSF16T			Design Ref. 7/SEP		Design Ref. 7/SEP	Design Ref. 9/SEP
DN20 (¾")	CSF16T			Design Ref. 7/SEP		Design Ref. 7/SEP	Design Ref. 9/SEP
DN25 (1")	CSF16T			Design Ref. 7/SEP		Design Ref. 7/SEP	Design Ref. 9/SEP
DN32 (1¼")	CSF16T			Design Ref. 7/SEP		Design Ref. 7/SEP	Design Ref. 9/SEP
DN40 (1½")	CSF16T			Design Ref. 7/SEP		Design Ref. 7/SEP	Design Ref. 9/Cat. I
DN50 (2")	CSF16LT			Design Ref. 7/Cat. I		Design Ref. 7/Cat. I	Design Ref. 9/Cat. I
	CSF16HT			Design Ref. 7/Cat. I		Design Ref. 7/Cat. I	Design Ref. 9/Cat. I
DN65 (2½")	CSF16T			Design Ref. 7/Cat. I		Design Ref. 7/Cat. I	Design Ref. 9/Cat. I
DN80 (3")	CSF16LT			Design Ref. 7/Cat. II		Design Ref. 7/Cat. II	Design Ref. 9/Cat. II
	CSF16HT		Design Ref. 8/Cat. I		Design Ref. 8/Cat. I		Design Ref. 9/Cat. II
DN8 (¼")	CSF16T	Fluoraz		Design Ref. 10/SEP			
DN10 (⅜")	CSF16T			Design Ref. 10/SEP		Design Ref. 10/SEP	
DN15 (½")	CSF16T			Design Ref. 10/SEP		Design Ref. 10/SEP	Design Ref. 11/SEP
DN20 (¾")	CSF16T			Design Ref. 10/SEP		Design Ref. 10/SEP	Design Ref. 11/SEP
DN25 (1")	CSF16T			Design Ref. 10/SEP		Design Ref. 10/SEP	Design Ref. 11/SEP
DN32 (1¼")	CSF16T			Design Ref. 10/SEP		Design Ref. 10/SEP	Design Ref. 11/SEP
DN40 (1½")	CSF16T			Design Ref. 10/SEP		Design Ref. 10/SEP	Design Ref. 11/Cat. I
DN50 (2")	CSF16LT			Design Ref. 10/Cat. I		Design Ref. 10/Cat. I	Design Ref. 11/Cat. I
	CSF16HT			Design Ref. 10/Cat. I		Design Ref. 10/Cat. I	Design Ref. 11/Cat. I
DN65 (2½")	CSF16T			Design Ref. 10/Cat. I		Design Ref. 10/Cat. I	Design Ref. 11/Cat. I
DN80 (3")	CSF16LT			Design Ref. 10/Cat. II		Design Ref. 10/Cat. II	Design Ref. 11/Cat. II
	CSF16HT		Design Ref. 12/Cat. I	Design Ref. 10/Cat. II	Design Ref. 12/Cat. I	Design Ref. 10/Cat. II	Design Ref. 11/Cat. II
DN100 (4")	CSF16LT	Stainless Steel/ PTFE Spiral Wound Gasket			Design Ref. 12/Cat. II	Design Ref. 10/Cat. II	Design Ref. 11/Cat. II
	CSF16HT				Design Ref. 12/Cat. II	Design Ref. 10/Cat. II	Design Ref. 11/Cat. II
DN150 (6")	CSF16LT				Design Ref. 12/Cat. II		
	CSF16HT						

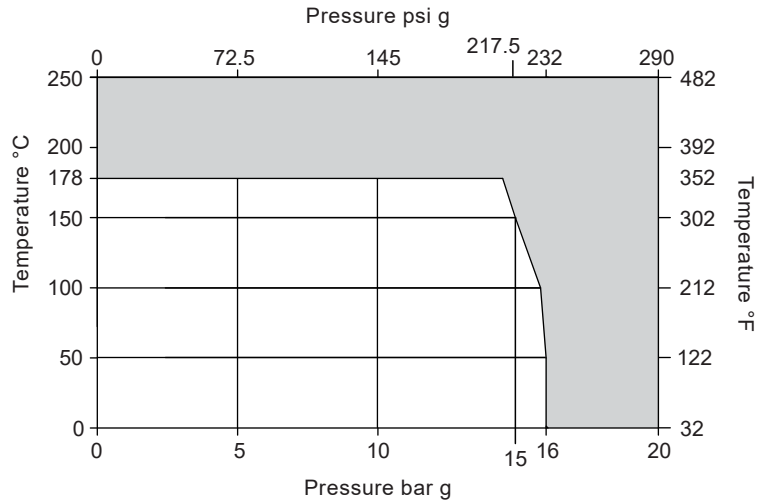
Not available

Pressure/temperature limits

CSF16

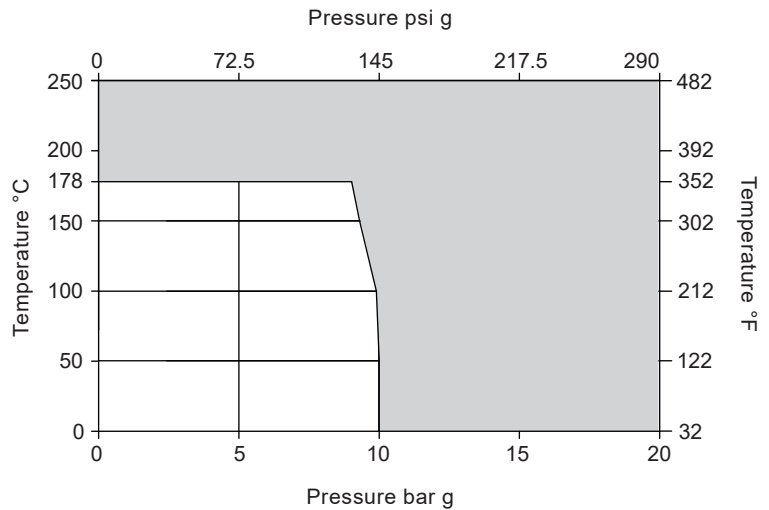
Product Design Reference 1

Pressure/temperature rating		PN16	
PMA	Maximum allowable pressure	16 bar g	232 psi g
TMA	Maximum allowable temperature	178 °C	352 °F
PMO	Maximum operating pressure	16 bar g	232 psi g
TMO	Maximum operating temperature	178 °C	352 °F
Minimum allowable temperature		-5 °C	23 °F
Minimum operating temperature		0 °C	32 °F
Product is safe for use under full vacuum conditions			
Cold hydraulic test pressure		26.1 bar g	379 psi g



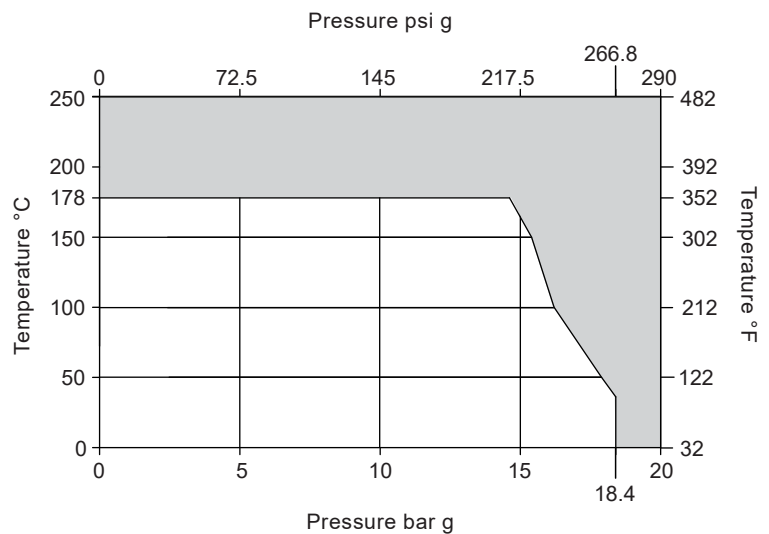
Product Design Reference 2

Pressure/temperature rating		PN10	
PMA	Maximum allowable pressure	10 bar g	145 psi g
TMA	Maximum allowable temperature	178 °C	352 °F
PMO	Maximum operating pressure	10 bar g	145 psi g
TMO	Maximum operating temperature	178 °C	352 °F
Minimum allowable temperature		-5 °C	23 °F
Minimum operating temperature		0 °C	32 °F
Product is safe for use under full vacuum conditions			
Cold hydraulic test pressure		16.3 bar g	236 psi g



Product Design Reference 3

Pressure/temperature rating		Class 150	
PMA	Maximum allowable pressure	18.4 bar g	266.8 psi g
TMA	Maximum allowable temperature	178 °C	352 °F
PMO	Maximum operating pressure	18.4 bar g	266.8 psi g
TMO	Maximum operating temperature	178 °C	352 °F
Minimum allowable temperature		-5 °C	23 °F
Minimum operating temperature		0 °C	32 °F
Product is safe for use under full vacuum conditions			
Cold hydraulic test pressure		28 bar g	406 psi g



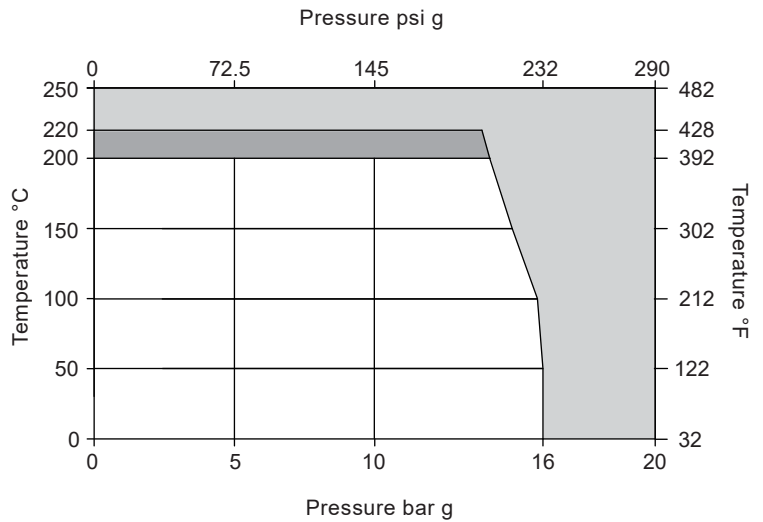
 The product **must not** be used in this region.

Pressure/temperature limits

CSF16 (continued)

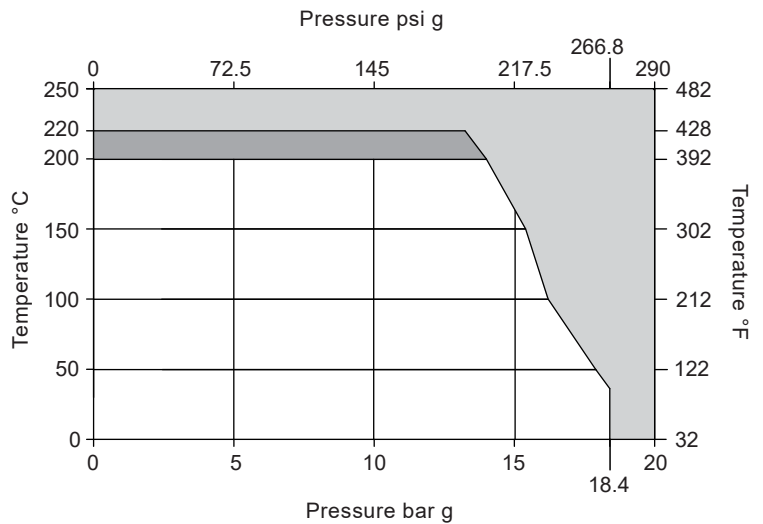
Product Design Reference 4

Pressure/temperature rating		PN16	
PMA	Maximum allowable pressure	16 bar g	232 psi g
TMA	Maximum allowable temperature	220 °C	428 °F
PMO	Maximum operating pressure	16 bar g	232 psi g
TMO	Maximum operating temperature	200 °C	392 °F
Minimum allowable temperature		-5 °C	23 °F
Minimum operating temperature		0 °C	32 °F
Product is safe for use under full vacuum conditions			
Cold hydraulic test pressure		26.1 bar g	379 psi g



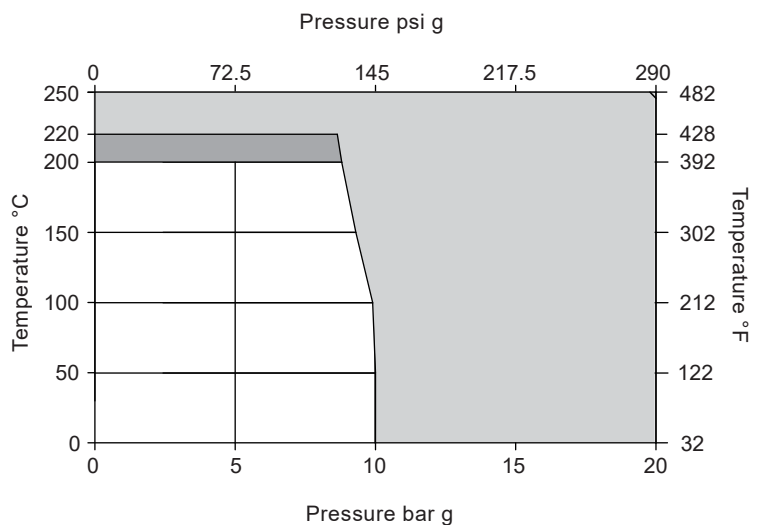
Product Design Reference 5

Pressure/temperature rating		Class 150	
PMA	Maximum allowable pressure	18.4 bar g	266.8 psi g
TMA	Maximum allowable temperature	220 °C	428 °F
PMO	Maximum operating pressure	18.4 bar g	266.8 psi g
TMO	Maximum operating temperature	200 °C	392 °F
Minimum allowable temperature		-5 °C	23 °F
Minimum operating temperature		0 °C	32 °F
Product is safe for use under full vacuum conditions			
Cold hydraulic test pressure		28 bar g	406 psi g



Product Design Reference 6

Pressure/temperature rating		PN10	
PMA	Maximum allowable pressure	10 bar g	145 psi g
TMA	Maximum allowable temperature	220 °C	428 °F
PMO	Maximum operating pressure	10 bar g	145 psi g
TMO	Maximum operating temperature	200 °C	392 °F
Minimum allowable temperature		-5 °C	23 °F
Minimum operating temperature		0 °C	32 °F
Product is safe for use under full vacuum conditions			
Cold hydraulic test pressure		16.3 bar g	236 psi g



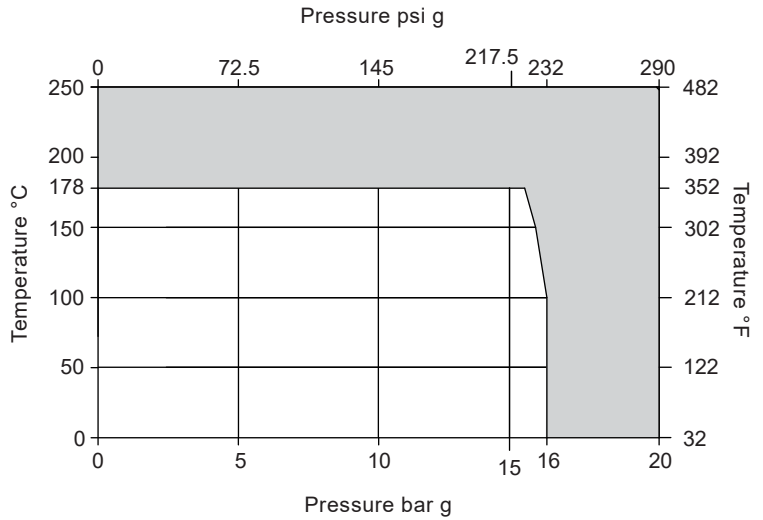
- The product **must not** be used in this region.
- The product **should not** be used in this region.

Pressure/temperature limits

CSF16T

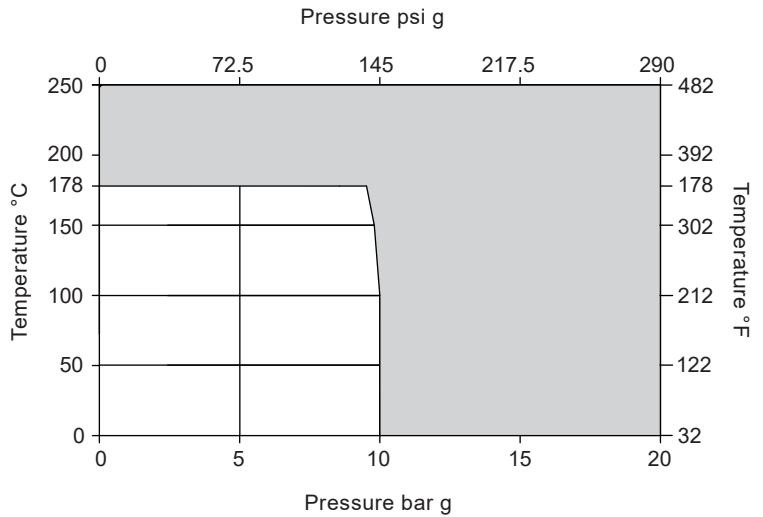
Product Design Reference 7

Pressure/temperature rating	PN16		
PMA Maximum allowable pressure	16 bar g	232 psi g	
TMA Maximum allowable temperature	178 °C	352 °F	
PMO Maximum operating pressure	16 bar g	232 psi g	
TMO Maximum operating temperature	178 °C	352 °F	
Minimum allowable temperature	-5 °C	23 °F	
Minimum operating temperature	0 °C	32 °F	
Product is safe for use under full vacuum conditions			
Cold hydraulic test pressure	25.5 bar g	370 psi g	



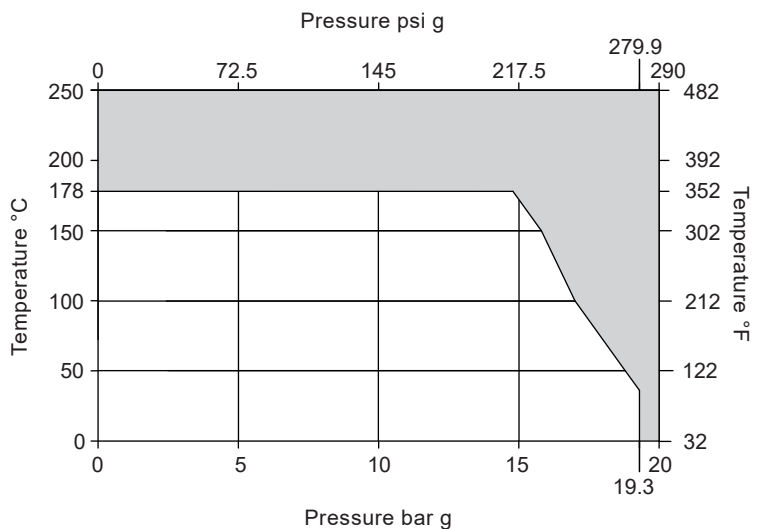
Product Design Reference 8

Pressure/temperature rating	PN10		
PMA Maximum allowable pressure	10 bar g	145 psi g	
TMA Maximum allowable temperature	178 °C	352 °F	
PMO Maximum operating pressure	10 bar g	145 psi g	
TMO Maximum operating temperature	178 °C	352 °F	
Minimum allowable temperature	-5 °C	23 °F	
Minimum operating temperature	0 °C	32 °F	
Product is safe for use under full vacuum conditions			
Cold hydraulic test pressure	15.9 bar g	231 psi g	



Product Design Reference 9

Pressure/temperature rating	Class 150		
PMA Maximum allowable pressure	19.3 bar g	279.9 psi g	
TMA Maximum allowable temperature	178 °C	352 °F	
PMO Maximum operating pressure	19.3 bar g	279.9 psi g	
TMO Maximum operating temperature	178 °C	352 °F	
Minimum allowable temperature	-5 °C	23 °F	
Minimum operating temperature	0 °C	32 °F	
Product is safe for use under full vacuum conditions			
Cold hydraulic test pressure	29 bar g	421 psi g	



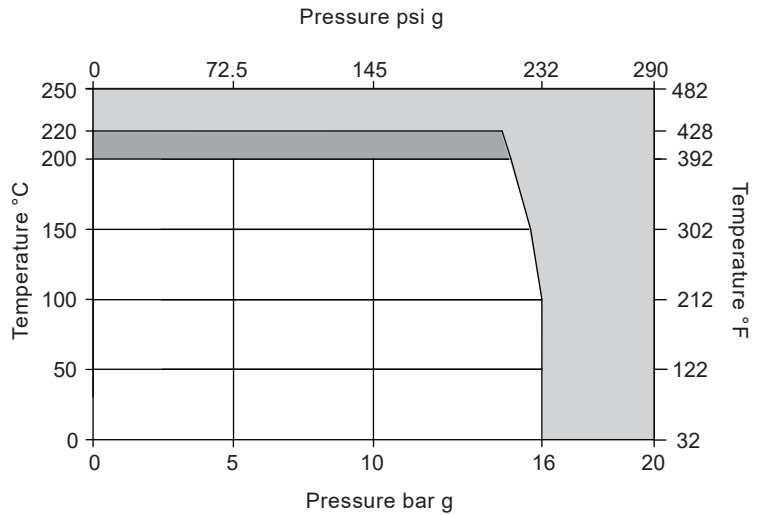
The product **must not** be used in this region.

Pressure/temperature limits

CSF16T (continued)

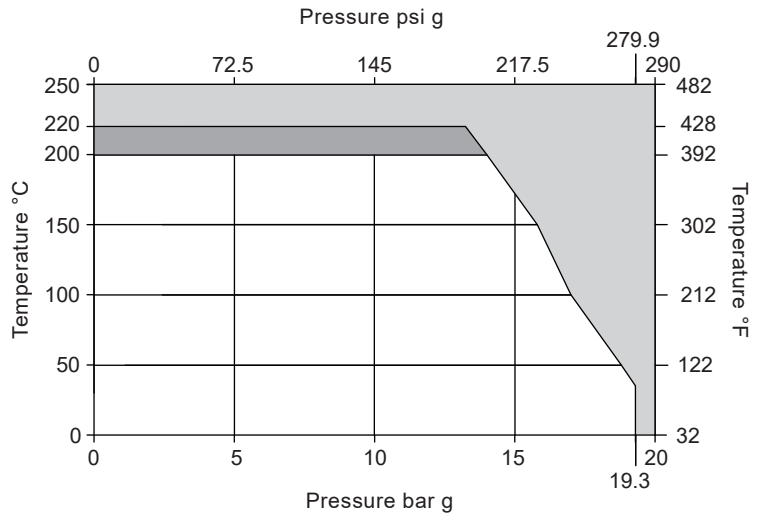
Product Design Reference 10

Pressure/temperature rating		PN16	
PMA	Maximum allowable pressure	16 bar g	232 psi g
TMA	Maximum allowable temperature	220 °C	428 °F
PMO	Maximum operating pressure	16 bar g	232 psi g
TMO	Maximum operating temperature	200 °C	392 °F
Minimum allowable temperature		-5 °C	23 °F
Minimum operating temperature		0 °C	32 °F
Product is safe for use under full vacuum conditions			
Cold hydraulic test pressure		25.5 bar g	370 psi g



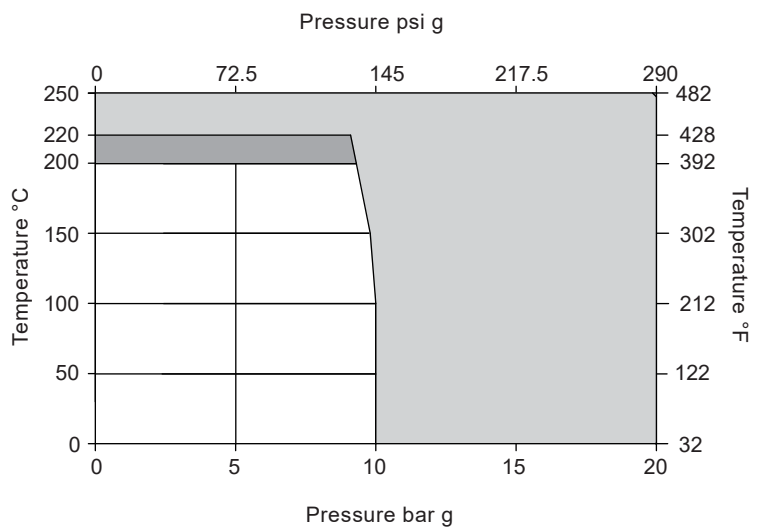
Product Design Reference 11

Pressure/temperature rating		Class 150	
PMA	Maximum allowable pressure	19.3 bar g	279.9 psi g
TMA	Maximum allowable temperature	220 °C	428 °F
PMO	Maximum operating pressure	19.3 bar g	279.9 psi g
TMO	Maximum operating temperature	200 °C	392 °F
Minimum allowable temperature		-5 °C	23 °F
Minimum operating temperature		0 °C	32 °F
Product is safe for use under full vacuum conditions			
Cold hydraulic test pressure		29 bar g	421 psi g



Product Design Reference 12

Pressure/temperature rating		PN10	
PMA	Maximum allowable pressure	10 bar g	145 psi g
TMA	Maximum allowable temperature	220 °C	428 °F
PMO	Maximum operating pressure	10 bar g	145 psi g
TMO	Maximum operating temperature	200 °C	392 °F
Minimum allowable temperature		-5 °C	23 °F
Minimum operating temperature		0 °C	32 °F
Product is safe for use under full vacuum conditions			
Cold hydraulic test pressure		15.9 bar g	231 psi g

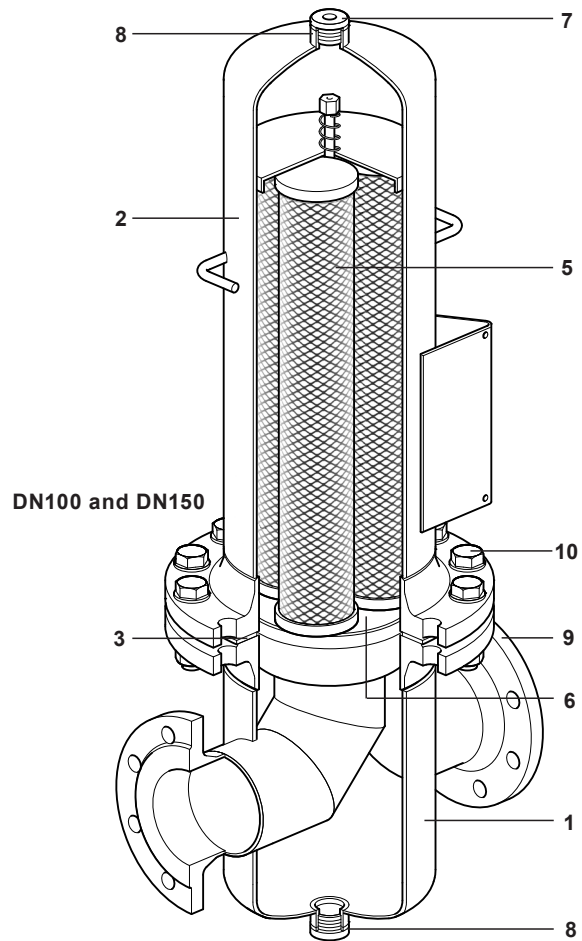
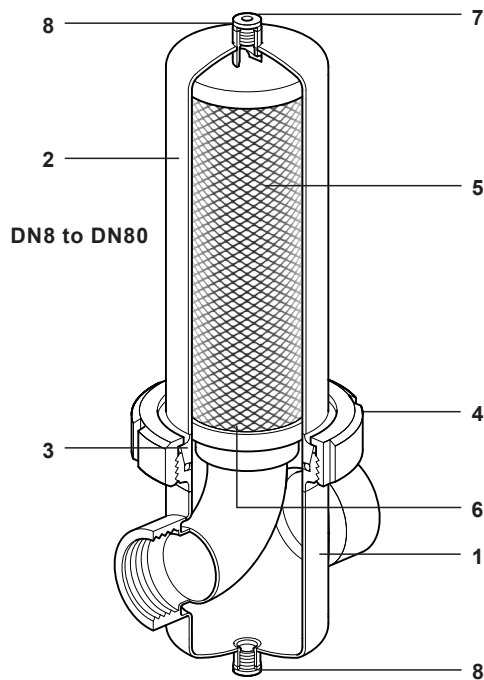


- The product **must not** be used in this region.
- The product **should not** be used in this region.

CSF16 and CSF16T filter housing options and corresponding filter elements

Filter housing			Filter Element		
Filter Housing Size	Filter Housing code	Filter Housing Seal Material	0.2 micron O-ring seal type	Filter element code	No. of elements per housing
DN8 (¼")	CSF16/CSF16T	EPM	EPM	CSF16-A 03/10	1
DN10 (⅜")	CSF16/CSF16T			CSF16-A 04/10	1
DN15 (½")	CSF16/CSF16T			CSF16-A 04/20	1
DN20 (¾")	CSF16/CSF16T			CSF16-A 05/20	1
DN25 (1")	CSF16/CSF16T			CSF16-A 05/25	1
DN32 (1¼")	CSF16/CSF16T			CSF16-A 07/25	1
DN40 (1½")	CSF16/CSF16T			CSF16-A 07/30	1
DN50 (2")	CSF16L/CSF16LT			CSF16-A 10/30	1
	CSF16H/CSF16HT			CSF16-A 15/30	1
DN65 (2½")	CSF16/CSF16T			CSF16-A 20/30	1
DN80 (3")	CSF16L/CSF16LT			CSF16-A 30/30	1
	CSF16H/CSF16HT			CSF16-A 30/50	1
DN100 (4")	CSF16L/CSF16LT			Stainless Steel/PTFE Spiral Wound Gasket	EPM
	CSF16H/CSF16HT	CSF16-A 30/30	3		
DN150 (6")	CSF16L/CSF16LT	CSF16-A 30/30	4		

Materials

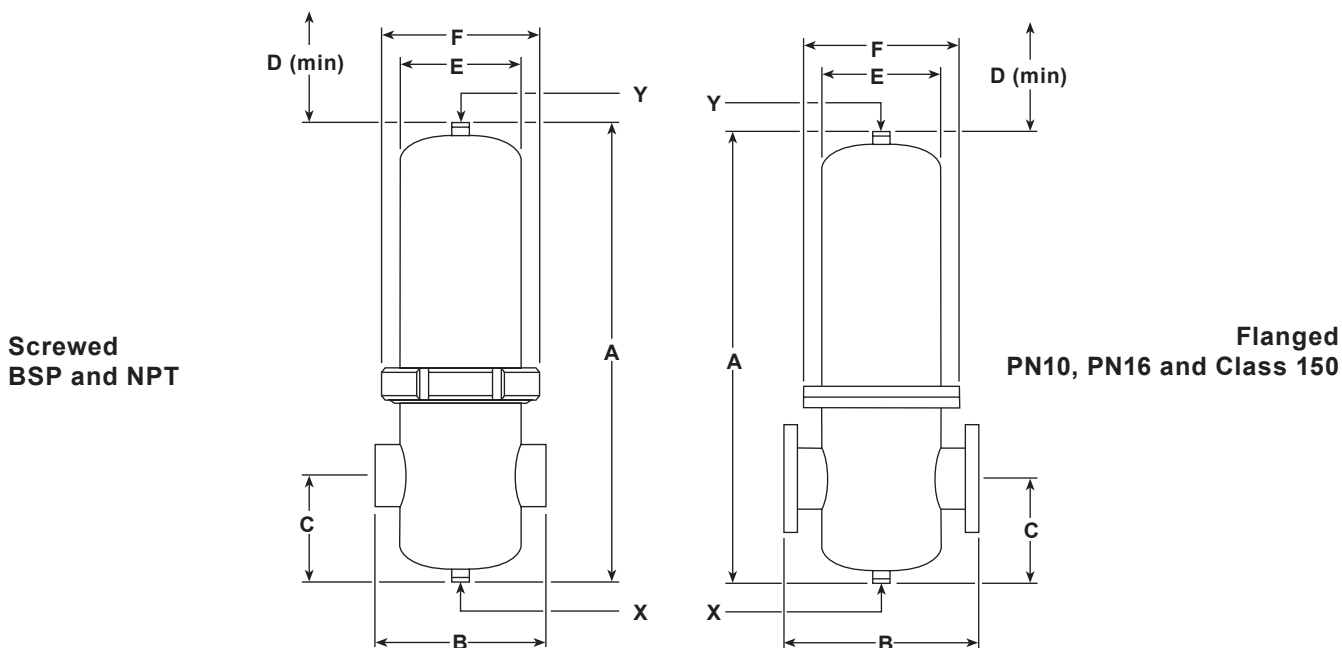


No.	Part	Materials	
1	Filter housing bowl	Stainless steel	CSF16 1.4301*
			CSF16T 1.4404**
2	Filter housing head	Stainless steel	CSF16 1.4301*
			CSF16T 1.4404**
3	Housing seal	For sizes DN8 to DN80	EPM EP380
		For sizes DN100 and DN150	Stainless steel grade 1.4541 spiral wound gasket with PTFE filler
4	Housing lockring (DN8 - DN80)	Stainless steel	CSF16 1.4301*
			CSF16T 1.4404**
5	CSF16-A filter element		Outer core, inner core and end caps 1.4401
			Filter media Borosilicate
			Bonding compound Silicon
6	Filter element seal (2 off per element)	EPM	EP380
7	Plug	Stainless steel	For sizes DN8 to DN80 CSF16/CSF16T A4-70
			For sizes DN100 and DN150 CSF16/CSF16T ASTM A276 316L
8	Gasket	Stainless Steel	For sizes DN8 to DN80 CSF16/CSF16T 1.4571
			For sizes DN100 and DN150 CSF16/CSF16T 1.4301
9	Flange	Stainless steel	CSF16 1.4541
			CSF16T 1.4571
10	Bolts and nuts (DN100 and DN150)	Stainless steel	A2 - 70

*1.4301 - Material may also include grades 1.4307, 1.4404, 1.4432, 1.4435, 1.4541, 1.4571 for manufacturing purposes. Weld filler will be 1.4430.

** 1.4404 - Material may also include grades 1.4432, 1.4435 and 1.4571 for manufacturing purposes. Weld filler will be 1.4430.

Dimensions/volume and weights (approximate) in mm, litres and kg



Filter	Size		Dimensions								Thread ***X	Thread Y
			A	B Screwed	B		C	D	E Ø	F Ø		
					Flanged PN	Class 150						
CSF16 and CSF16T	1/4"	DN8	217	108			54	90	70	112	1/4"	G1/4"
	3/8"	DN10	245	108	180		54	120	70	112	1/4"	G1/4"
	1/2"	DN15	245	108	180	203	54	120	70	112	1/4"	G1/4"
	3/4"	DN20	269	125	202	230	54	150	70	112	1/4"	G1/4"
	1"	DN25	295	125	212	247	73	150	85	127	1/4"	G1/4"
	1 1/4"	DN32	347	140	220	254	73	200	85	127	1/4"	G1/4"
	1 1/2"	DN40	386	170	254	294	92	200	104	148	1/4"	G1/4"
	2 1/2"	DN65	737	216	306	356	106	580	129	178	1/4"	G1/4"
CSF16L and CSF16LT	2"	DN50	460	170	260	297	92	280	104	148	1/4"	G1/4"
	3"	DN80	999	220	316	356	110	850	129	178	1/4"	G1/4"
	4"	DN100	1042		410	500	195	850	219	340	1"	G1"
	6"	DN150	1420		480		267	850	273	395	1"	G1"
CSF16H and CSF16HT	2"	DN50	587	170	260	297	92	450	104	148	1/4"	G1/4"
	3"	DN80	1024	240	340	380	113	850	154	210	1/4"	G1/4"
	4"	DN100	1296		410	500	195	850	219	340	1"	G1"

Screwed BSP and NPT and flanged PN10, PN16 and Class 150

*** for PN10, PN16 and BSP versions bottom connection is G thread with a plug and seal.

*** for Class 150 and NPT versions bottom connection is NPT thread without a plug.

Volume and weights (approximate) in litres and kg

Filter	Size		Vol.		Weight (kg) without element		
			Litres		Screwed	Flanged	
			Screwed	Flanged		PN	Class 150
CSF16 and CSF16T	1/4"	DN8	0.6		2.0		
	3/8"	DN10	0.7	0.7	2.1	3.4	
	1/2"	DN15	0.7	0.7	2.2	3.6	3.6
	3/4"	DN20	0.8	0.85	2.4	4.4	4.4
	1"	DN25	1.3	1.4	3.2	5.7	5.7
	1 1/4"	DN32	1.6	1.8	3.7	7.2	7.2
	1 1/2"	DN40	2.8	3	5.2	8.9	8.9
	2 1/2"	DN65	9	9.4	8.1	14.6	15.9
CSF16L and CSF16LT	2"	DN50	3.2	3.75	5.2	10.6	10.6
	3"	DN80	12.6	13	9.6	17.2	19.2
	4"	DN100		36		60	60
	6"	DN150		75		85	
CSF16H and CSF16HT	2"	DN50	4.5	4.7	5.8	11.2	11.2
	3"	DN80	17.8	18.3	13.2	20.9	22.2
	4"	DN100		45		65	65

Sterile air filter elements (weight in kg)

Filter element code (EPM)	Filter element (individual) Weight
CSF16-A 03/10	0.2
CSF16-A 04/10	0.26
CSF16-A 04/20	0.37
CSF16-A 05/20	0.45
CSF16-A 05/25	0.47
CSF16-A 07/25	0.57
CSF16-A 07/30	1.27
CSF16-A 10/30	1.6
CSF16-A 15/30	2.25
CSF16-A 20/30	2.77
CSF16-A 30/30	3.81
CSF16-A 30/50	4.98

CSF16 and CSF16T air sizing:

The correction and sizing tables above are based upon compressed air in Nm³/h. Nm³/h refers to the flow at normal conditions. Therefore, the calculated flow rate needs to be quantified before a selection can be made. The sizing scenarios below show how we calculate Nm³/h taking into consideration the operating air pressure and temperature and how this deviates from 'Normal conditions' which are defined as 1 bar abs and 20 °C.

CSF16 and CSF16T air sizing table

Please note that the flowrates displayed on the CSF16 and CSF16T air sizing table are based on an air pressure of 7 bar g.

	DN8	DN10	DN15	DN20	DN25	DN32	DN40	DN50L	DN50H	DN65	DN80L	DN80H
Size of unit	¼"	⅜"	½"	¾"	1"	1¼"	1½"	2"L	2"H	2½"	3"L	3"H
Maximum flowrate Nm ³ /h	60	90	120	180	270	360	480	720	1080	1440	1920	2880

Capacity correction factors for air pressure

Air pressure	bar g	1	2	3	4	5	6	7	8	9	10	11	12	13	14	15	16
Correction factor		0.25	0.375	0.5	0.625	0.75	0.875	1.0	1.125	1.25	1.375	1.5	1.625	1.75	1.875	2.0	2.125

Sizing scenario 1:

Customer provides flow rate in m³/h (room temperature but at a given pressure)

Example conditions:

- Flowrate of air = 200 m³/h
- Air operating pressure = 4 bar (g)
- Air operating temperature = 20 °C (ambient)

Step 1:

Convert m³/h to Nm³/h

Nm³/h = Pressure (Abs) x Volumetric Flow (m³/h)

Nm³/h = 5 bar (Abs) x 200 m³/h

Nm³/h = 1,000

Step 2:

Identify the Capacity Correction Factor for a given operating air pressure using the Capacity Correction Factors for air pressure table

For 4 bar (g), correction factor is 0.625

Step 3:

Divide the calculated Nm³/h by the Capacity Correction Factor and select the housing size using the calculated flow value.

1,000 Nm³/h / 0.625 = Calculated Flow value = 1600 Nm³/h

Select 3"L (DN80L) with a maximum flow capacity of 1920 Nm³/h

Sizing scenario 2:

Customer provides flow rate in m³/h (air temperature above room temperature, >20 °C, and at a given pressure)

Example conditions:

- Flowrate of air = 200 m³/h
- Air operating pressure = 4 bar (g)
- Air operating temperature = 50 °C (elevated above ambient)

Step 1:**Convert m³/h to Nm³/h**

V₁ = Volumetric flow (m³/h) = 200

V₂ = Volumetric flow (Nm³/h) = to be determined

T₁ = Ambient temperature of air (Kelvin) = 20 °C + 273 = 293

T₂ = Elevated operating temperature of air (Kelvin) = 50 °C + 273 = 323

P₁ = Elevated operating pressure of air (Abs) = 4 bar g + 1 = 5

P₂ = Atmospheric pressure of air (Abs) = 0 bar g + 1 = 1

Solve to find V₂ (Nm³/h):

$$V_2 = (P_1 * V_1 * T_1) / (T_2 * P_2)$$

$$V_2 = (5 * 200 * 293) / (323 * 1)$$

$$V_2 = 907 \text{ Nm}^3/\text{h}$$

Step 2:

Identify the Capacity Correction Factor for a given operating air pressure using the Capacity Correction Factors for air pressure table

For 4 bar (g), correction factor is 0.625

Step 3:

Divide the calculated Nm³/h by the Capacity Correction Factor and select the housing size using the calculated flow value.

907 Nm³/h / 0.625 = Calculated Flow value = 1451 Nm³/h

Select 3"L (DN80L) with a maximum flow capacity of 1920 Nm³/h

Safety information, installation and maintenance

For full details see the Installation and Maintenance Instructions (IM-P180-42) which is supplied with the product.

How to order

The following information must be specified when ordering a Spirax Sarco CSF filter:

Maximum sterile air flowrate	m ³ /h
Maximum sterile air pressure	bar g
Allowable pressure drop bar	0.07 bar g maximum recommended
Housing material	1.4301 or 1.4404
Size *	DN or NPS (") and 'H' or 'L' where applicable
Pipe connections	PN10, PN16, Class 150, BSP or NPT
Element rating	0.2 micron
Filter housing seal or gasket material.	EPM for DN8 (¼") to DN80 (3") Stainless steel/PTFE filler for DN100 (4") to DN150 (6")
3.1 Certification for SEP and Category I filter housings	Yes/No

*** Note:**

For DN50, DN80 and DN100 the high capacity version is denoted by 'H' and low capacity by 'L'. For a 1.4404 housing version, the suffix 'T' must be added to the nomenclature e.g. CSF16T. DN150 size is only available in low capacity "L" housing.

Supply

The CSF16 and CSF16T filter housings are supplied separately to the filter elements.

1. The filter housing head and bowl with housing seal or gasket are packed in one carton, complete with EN 10204 3.1 certification where applicable documentation and installation and maintenance instructions.
2. The filter element complete with two seals.
Note: DN100 and DN150 CSF16 and CSF16T require multiple elements – See filter element selection table on page 9.

Note: The purpose of the filter is to remove (and retain) unwanted contamination. In time, the filter element will become saturated. To ensure a minimum downtime, we recommend that a spare filter element set is ordered at the same time as the CSF16 and CSF16T filter housing.

Example:

- 1 off Spirax Sarco DN20 CSF16 to pass sterile air at 4.0 bar g. Housing to be 1.4301 having NPT connections with EPM seals.
- 1 off CSF16-A 5/20 filter element
- 1 off CSF16-A 5/20 spare filter element set
- 1 off 3.1 Certification (for filter housing)

Spare parts

The spare parts available are shown in solid outline. Parts drawn in a grey line are not supplied as spares.

Available spares

CSF16-A filter element kit	5, 6 (2 off)
Seal kit	3, 6 (please see table below for quantities)

Seal kit contents

Unit size	Housing seal (Part number 3)	Element seals (Part number 6)
DN8 - DN80	1	2
DN100	1	6
DN150L	1	8

How to order spares

Always order spares by using the description given in the column headed 'Available spares' and state the size and type of filter housing, filter element rating and housing/filter element seal material required.

Example: 1 off CSF16 A filter element kit for a Spirax Sarco DN25 CSF16 sterile air, with EPM filter element seals.

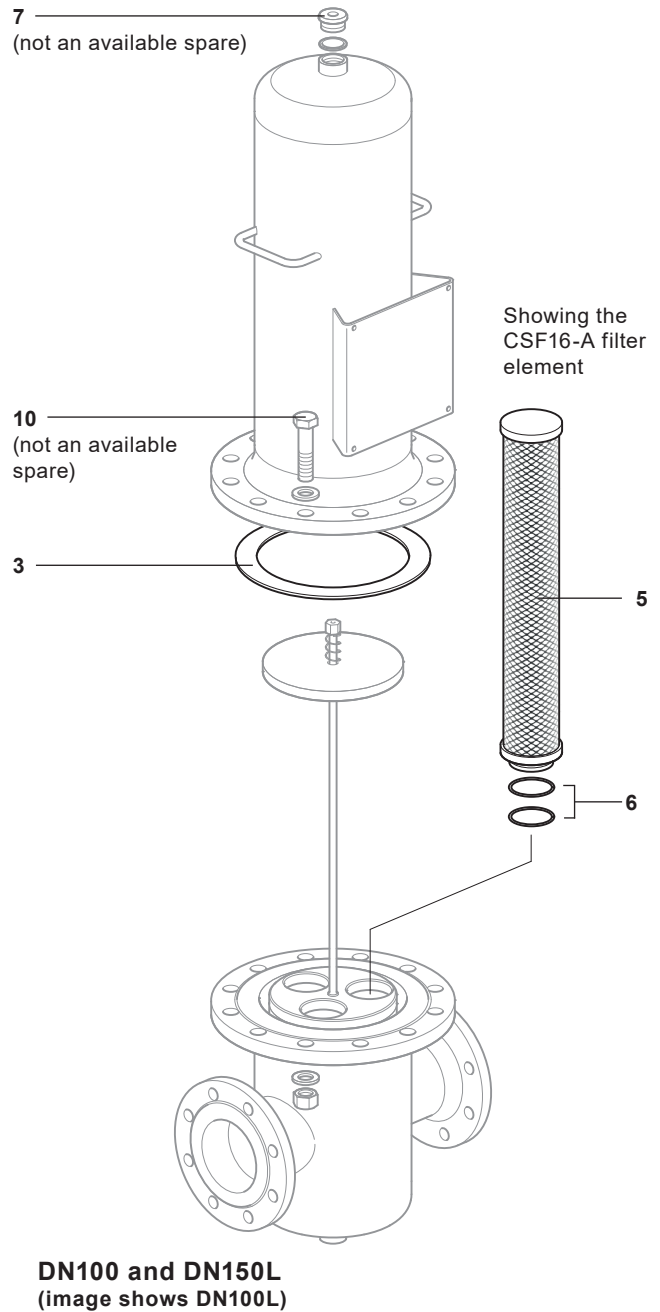
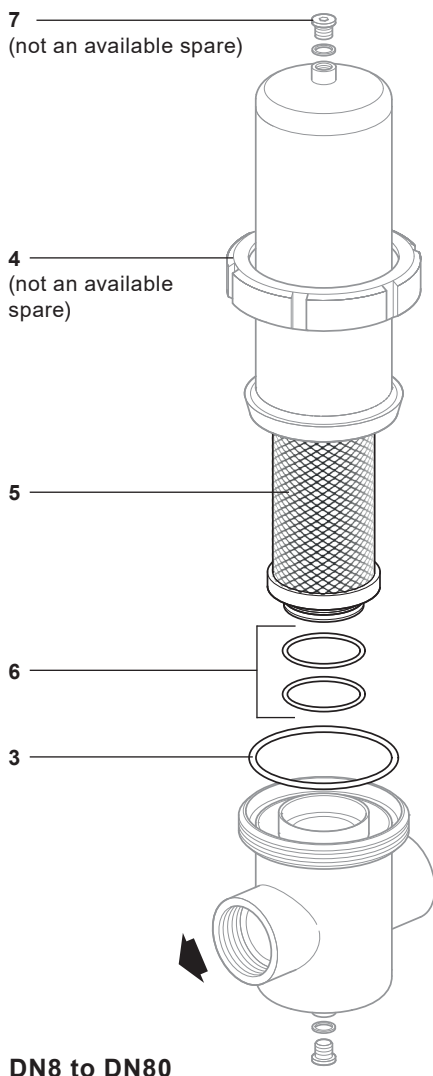




Table 1 Recommended tightening torques

Item	Part	 or 	mm	N m
4		use C spanner		As required
7	DN8 - DN80	6 mm Hex	G $\frac{1}{4}$ "	55
	DN100 and DN150L	A/F 42	G1"	138
10	DN100	A/F 30	M20	180
	DN150L	A/F 30	M20	260