



## CAS14 and CAS14S Austenitic Stainless Steel Ball Float Air and Gas Traps

### Description

The CAS14 and CAS14S are austenitic stainless steel ball float gas/air drain traps. They provide efficient condensate drainage from compressed air and other gas systems, allowing the process to operate to its optimum potential.

The connections are in the vertical plane for flow downwards.

Body and cover castings are produced by a TÜV approved supplier in accordance with AD-Merkblatt WO/TRD100.

### Operating media

The CAS14 and CAS14S are designed for use on air or gases within PED group 2.

**Note:** The CAS14 and CAS14S are not suitable for use on PED group 1 liquids or gases.

### Available types


**CAS14** fitted with a viton valve cone ½" and ¾"

**CAS14S** fitted with a stainless steel valve cone ½", ¾" and 1"

### Optional extra

An integral screen.

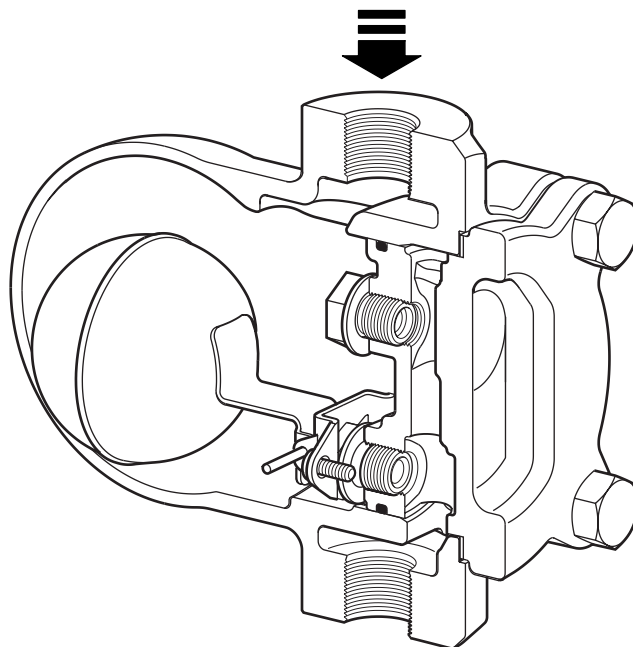
### Standards

These products fully comply with the requirements of the European Pressure Equipment Directive 2014/68/EU and carry the  mark when so required.

### Certification

This product is available with certification to EN 10204 3.1.B.

**Note:** All certification/inspection requirements must be stated at the time of order placement.

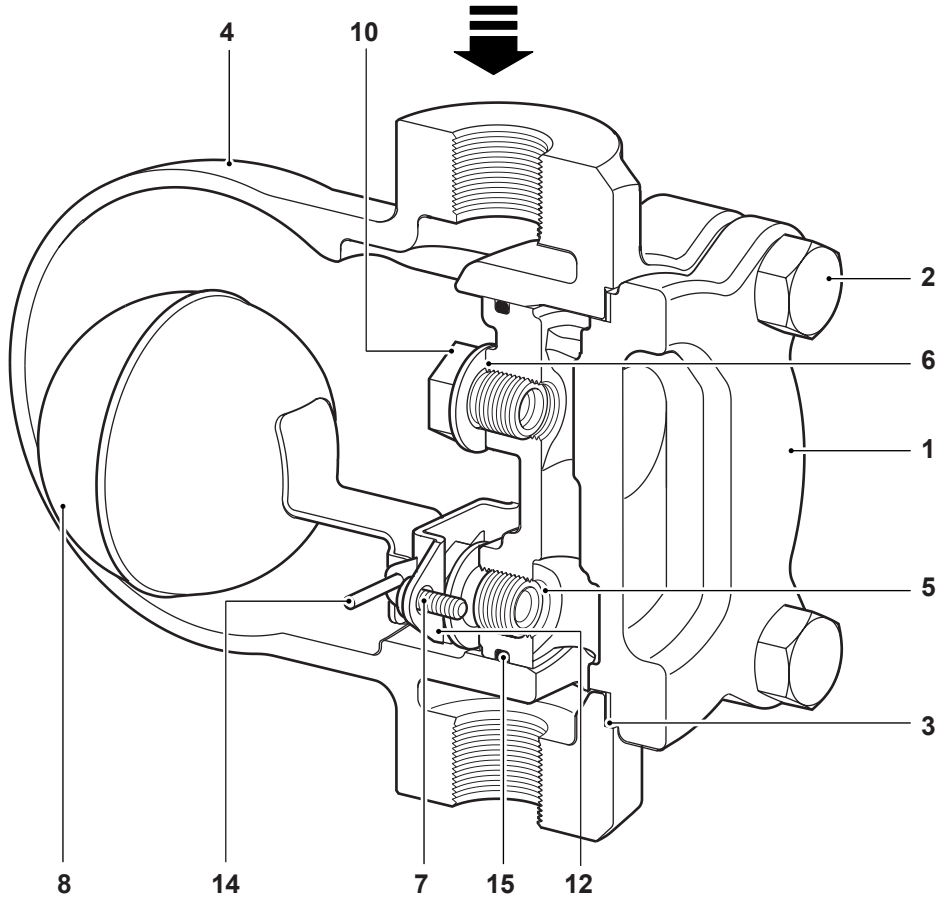


### Sizes and pipe connections

½", ¾" and 1"      Screwed BSP T Rp (ISO 7-1) (BS 21 and DIN 2999) or NPT (ANSI B 1.20.1).

½", ¾" and 1"      Socket weld ends to ANSI B 16.11, BS 3799 Class 3000 and DIN 3239.

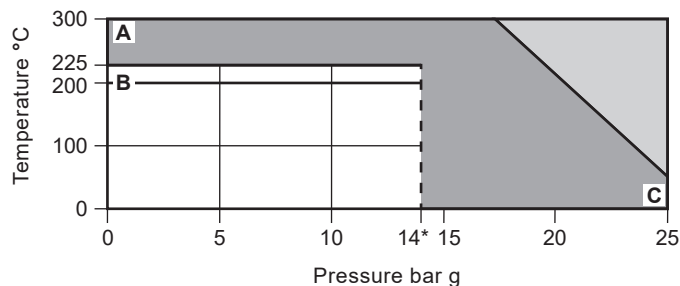
## Materials



No.	Part	Material	
1	Body	Austenitic stainless steel (316)	EN 10213-4 (1.4408) ASTM A351 CF8M
2	Cover bolts	Stainless steel	BS EN 3506 A2-70
3	Cover gasket	Reinforced exfoliated graphite	
4	Cover	Austenitic stainless steel (316)	EN 10213-4 (1.4408) ASTM A351 CF8M
5	Main valve seat	Stainless steel	BS 970 431 S29
6	Main valve seat gasket	Stainless steel	
7	Main valve assembly screws	Stainless steel	
8	Ball float and lever	Stainless steel	BS 1449 304 S16
9 *	Valve cone	CAS14	Viton
		CAS14S	Stainless steel
10	Blanking plug	Stainless steel	
12	Pivot frame	Stainless steel	
14	Pivot pin	Stainless steel	
15	'O' ring	FDA approved viton to FDA regulation 177.2600	
16 *	Valve spring (1" only)	Stainless steel	

\* **Note:** Items 9 and 16 are clearly identified on page 4.

## Pressure/temperature limits (ISO 6552)



**A** The product **must not** be used in this region.

**B - C** The Viton soft seat versions should not be used in this region.

**A - C** CAS14S

**B - C** CAS14

*PMO	Maximum operating pressure	14 bar g
Body design conditions		PN25
PMA	Maximum allowable pressure	25 bar g
TMA	Maximum allowable temperature	300 °C
Minimum allowable temperature		-20 °C
PMO	Maximum operating pressure for saturated steam service	14 bar g
TMO	Maximum operating temperature	<b>CAS14</b> 200 °C
		<b>CAS14S</b> 225 °C

**ΔPMX** Maximum differential pressure

Minimum operating temperature 0 °C

The maximum differential pressure depends on the specific gravity of the liquid being drained.

Trap	Specific Gravity				
	1.0	0.9	0.8	0.7	0.6
	Maximum differential pressure bar				
<b>CAS14</b>	14.0	14.0	14.0	9.0	5.0
<b>CAS14S</b>	14.0	14.0	14.0	9.0	5.0

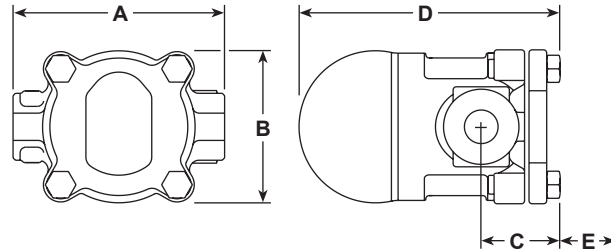
Minimum specific gravity of liquid 0.6

Product is safe for use under full vacuum conditions

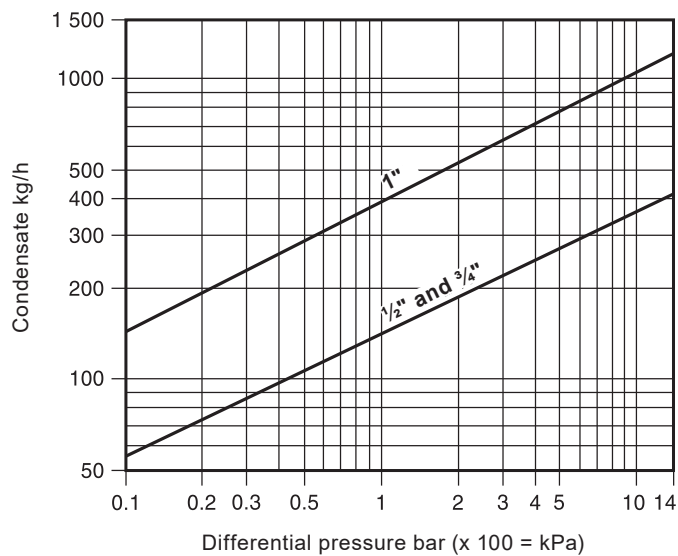
Designed for a maximum cold hydraulic test pressure of: 37.5 bar g

## Dimensions/weights (approximate) in mm and kg

Size	A	B	C	D	E Withdrawal distance	Weight
1/2"	135	97	48	162	135	3.73
3/4"	135	97	48	162	135	3.73
1"	139	113	51	179	145	4.23



## Capacities



## Safety information, installation and maintenance

For full details see the Installation and Maintenance Instructions (IM-P106-02-EN-ISS1) supplied with the product.

## How to order

**Example:** 1 off Spirax Sarco 1/2" CAS14 austenitic stainless steel ball float air and gas trap having screwed BSP T Rp (ISO 7-1) connections.

## Spare parts

The spare parts available are shown in solid outline. Parts drawn in a grey line are not supplied as spares.

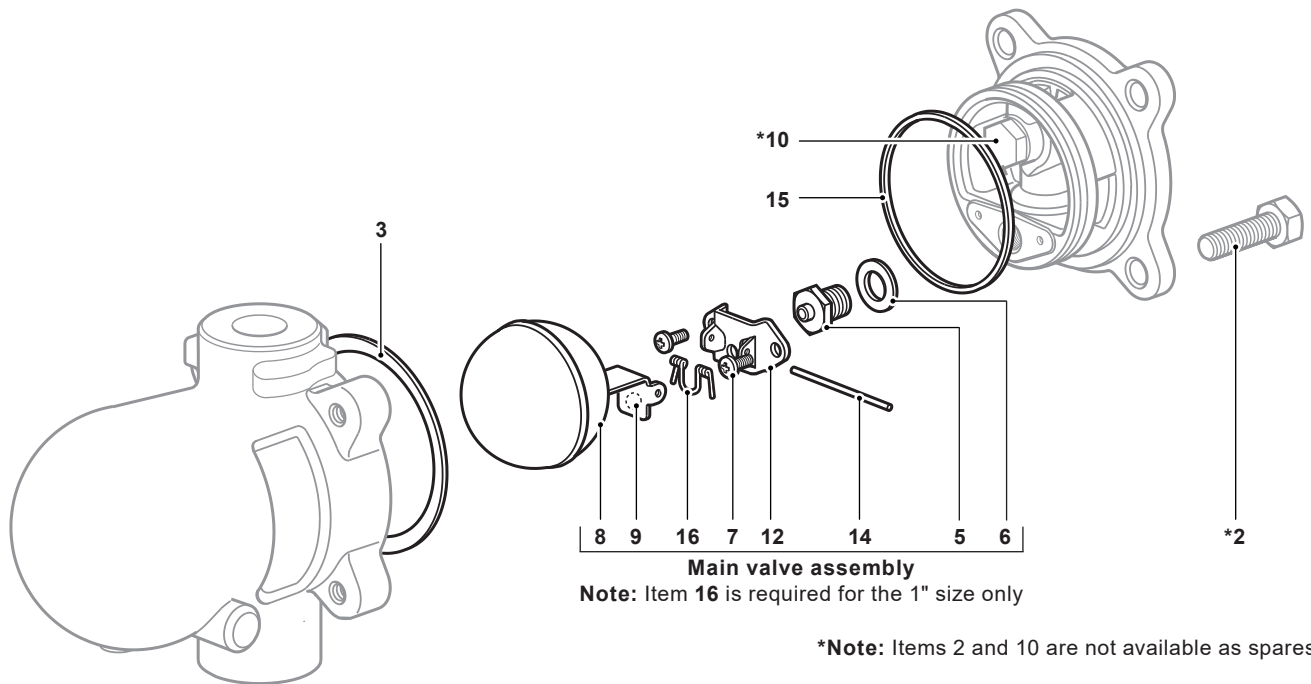
### Available spares

Maintenance kit	<b>CAS14</b>	<b>3, 5, 6, 7 (2 off), 8, 9, 12, 14, 15</b>
	<b>CAS14S</b>	<b>3, 5, 6, 7 (2 off), 8, 9, 12, 14 + 16 (1" only), 15</b>
Seal set		<b>3, 9, 15</b>


### How to order spares

Always order spares by using the description given in the column headed 'Available spares' and state the size and type of trap.

**Example:** 1 - Maintenance kit for a Spirax Sarco ½" CAS14 austenitic stainless steel ball float air and gas trap.



### Recommended tightening torques

Item	Part	 or  mm	N m
2	Cover bolt	M10 x 30	20 - 25
5	Main valve seat	17 A/F	50 - 55
7	Main valve assembly screws	pozidrive M4 x 6	2.5 - 3.0
10	Blanking plug	17 A/F	50 - 55