



Cert. No. LRQ 0963008

ISO 9001

# spirax sarco

TI-P148-38

ST Issue 2

## CAS14 and CAS14S Austenitic Stainless Steel Ball Float Air and Gas Traps

### Description

The CAS14 and CAS14S are austenitic stainless steel ball float gas/air drain traps.

They provide efficient condensate drainage from compressed air and other gas systems, allowing the process to operate to its optimum potential.

The connections are in the vertical plane for flow downwards.

Body and cover castings are produced by a TÜV approved supplier in accordance with AD-Merkblatt WO/TRD100.

### Available types

**CAS14** fitted with a viton valve cone 1/2" and 3/4"

**CAS14S** fitted with a stainless steel valve cone 1/2", 3/4" and 1"

### Optional extra

An integral screen.

### Standards

These products fully comply with the requirements of the European Pressure Equipment directive 97/23/EC and carry the CE mark when so required.

### Certification

This product is available with certification to EN 10204 3.1.B.

**Note:** All certification/inspection requirements must be stated at the time of order placement.

### Limiting conditions (ISO 6552)

Body design conditions PN25

PMA - Maximum allowable pressure 25 bar g

TMA - Maximum allowable temperature 300°C

PMO - Maximum operating pressure 14 bar g

TMO - Maximum operating temperature **CAS14** 200°C

**CAS14S** 225°C

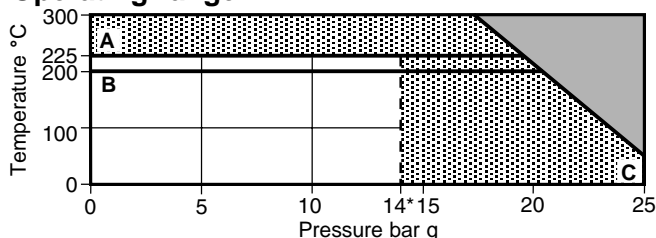
Minimum operating temperature -20°C

**Note:** For lower operating temperatures consult Spirax Sarco.

Minimum specific gravity of liquid 0.6

Designed for a maximum cold hydraulic test pressure of 37.5 bar g

### Operating range



The product must not be used in this region.

The Viton soft seat versions should not be used in this region as damage to the internals may occur.

\*PMO Maximum operating pressure 14 bar g.

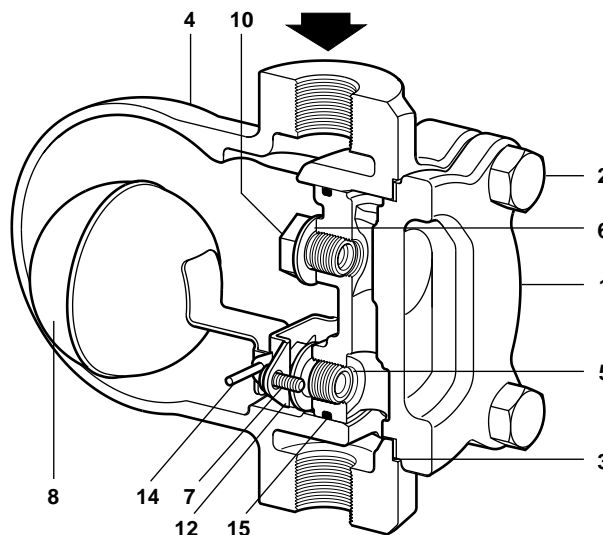
A - C CAS14S

B - C CAS14

### ΔPMX - Maximum differential pressure

The maximum differential pressure depends on the specific gravity of the liquid being drained.

Trap	Specific gravity				
	1.0	0.9	0.8	0.7	0.6
	Maximum differential pressure bar				
<b>CAS14</b>	14.0	14.0	14.0	9.0	5.0
<b>CAS14S</b>	14.0	14.0	14.0	9.0	5.0



### Sizes and pipe connections

1/2", 3/4" and 1" Screwed BSP (BS 21 and DIN 2999) or NPT (ANSI B 1.20.1).

1/2", 3/4" and 1" Socket weld ends to ANSI B 16.11, BS 3799 Class 3000 and DIN 3239.

**Note:** For alternative connections please consult Spirax Sarco.

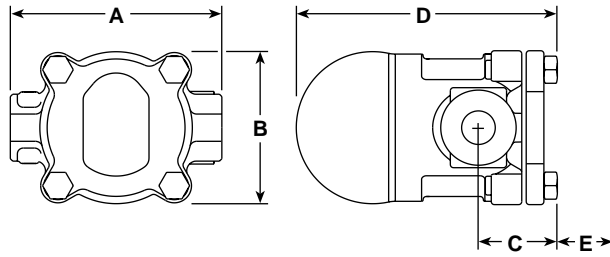
### Materials

No.	Part	Material
1	Body	Austenitic stainless steel (316) EN 10213-4 (1.4408) ASTM A351 CF8M
2	Cover bolts	Stainless steel BS EN 3506 A2-70
3	Cover gasket	Reinforced exfoliated graphite
4	Cover	Austenitic stainless steel (316) EN 10213-4 (1.4408) ASTM A351 CF8M
5	Main valve seat	Stainless steel BS 970 431 S29
6	Main valve seat gasket	Stainless steel
7	Main valve assembly screws	Stainless steel
8	Ball float and lever	Stainless steel BS 1449 304 S16
* 9	Valve cone	CAS14 Viton CAS14S Stainless steel AISI 440B
10	Blanking plug	Stainless steel
12	Pivot frame	Stainless steel
14	Pivot pin	Stainless steel
15	'O' ring	FDA approved viton to FDA regulation 177.2600
* 16	Valve spring (1" only)	Stainless steel

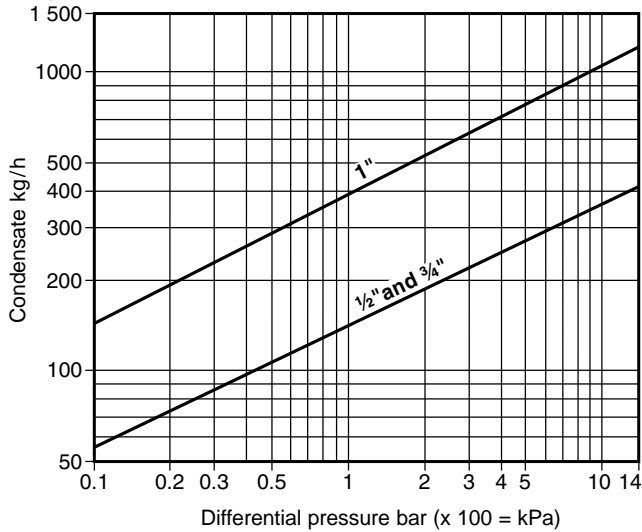
\* **Note:** Items 9 and 16 are clearly identified overleaf.

## Dimensions/weights (approximate) in mm and kg

Size	A	B	C	D	E Withdrawal distance	Weight
½"	135	97	48	162	135	3.73
¾"	135	97	48	162	135	3.73
1"	139	113	51	179	145	4.23



## Capacities



## Safety information, installation and maintenance

For full details see the Installation and Maintenance Instructions (IM-P148-39) supplied with the product.

## How to order

**Example:** 1 off Spirax Sarco ½" CAS14 austenitic stainless steel ball float air and gas trap having screwed BSP connections.

## Spare parts

The spare parts available are shown in heavy outline. Parts drawn in broken line are not supplied as spares.

### Available spares

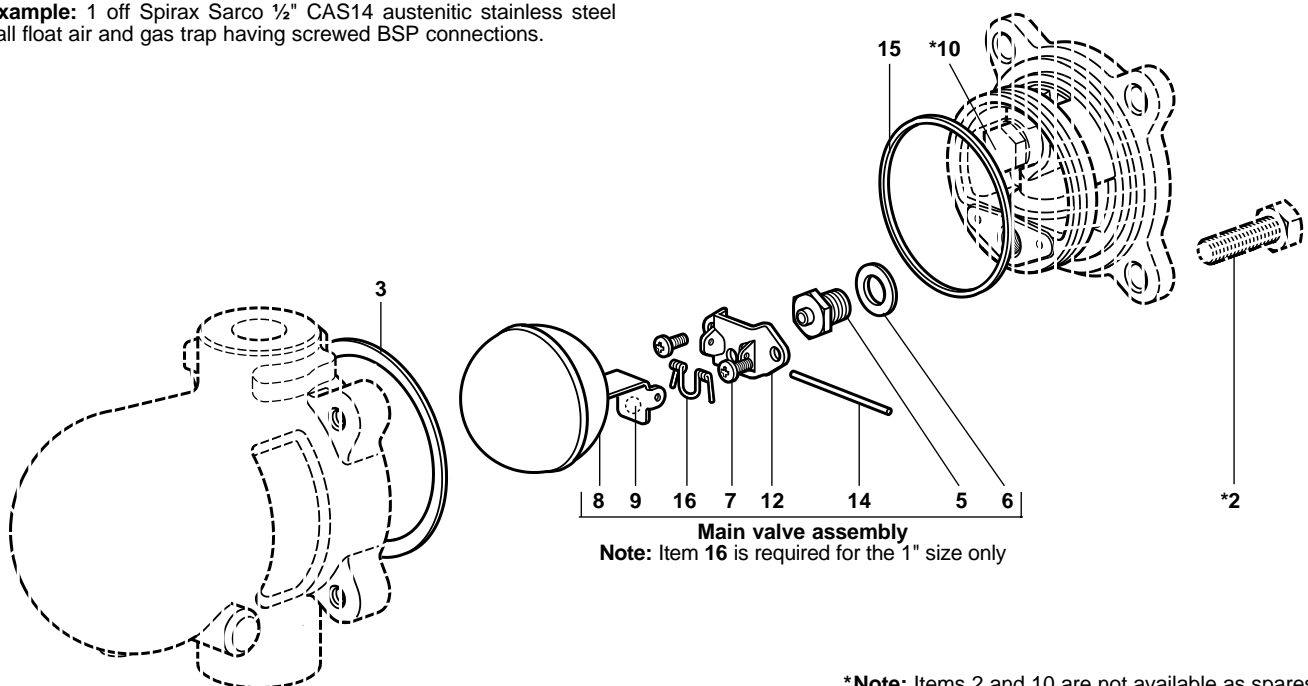
Maintenance kit	<b>CAS14</b>	<b>3, 5, 6, 7 (2 off), 8, 9, 12, 14, 15</b>
Seal set	<b>CAS14S</b>	<b>3, 5, 6, 7 (2 off), 8, 9, 12, 14 + 16 (1" only), 15</b>

### How to order spares

Always order spares by using the description given in the column headed 'Available spares' and state the size and type of trap.  
**Example:** 1 - Maintenance kit for a Spirax Sarco ½" CAS14 austenitic stainless steel ball float air and gas trap.

### Recommended tightening torques

Item	Part	or mm	N m
2	Cover bolt	M10 x 30	20 - 25
5	Main valve seat	17 A/F	50 - 55
7	Main valve assembly screws	Pozidrive M4 x 6	2.5 - 3.0
10	Blanking plug	17 A/F	50 - 55



\*Note: Items 2 and 10 are not available as spares