

# spirax sarco

## BX and BXRA

### Gunmetal

## Self-acting Control Valves

### Description

The BX range of two-port valves are used in conjunction with Spirax Sarco SA control systems to provide a self-acting temperature control unit.

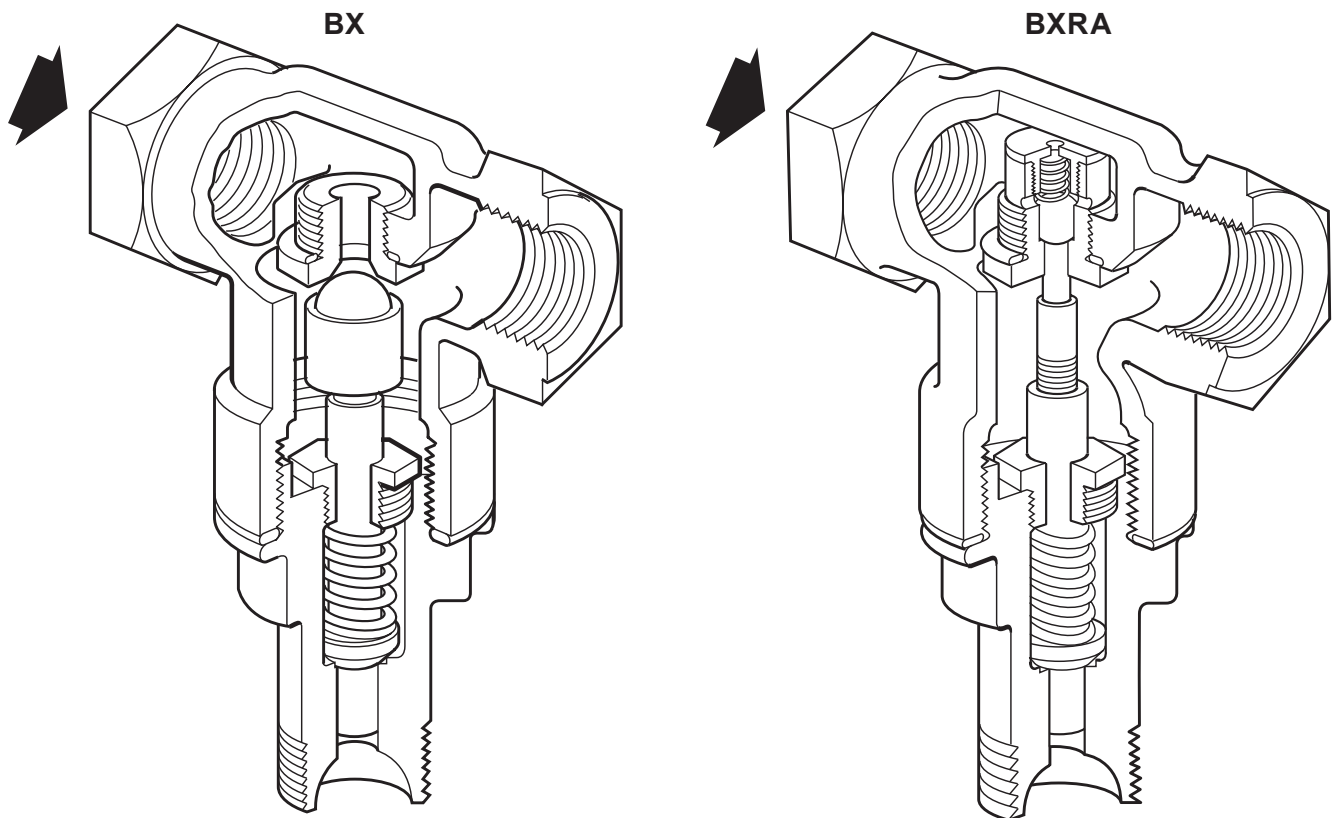
### Available types

**BX** Normally open, single seat with four different orifice sizes: **BX2, BX3, BX4 and BX6.**

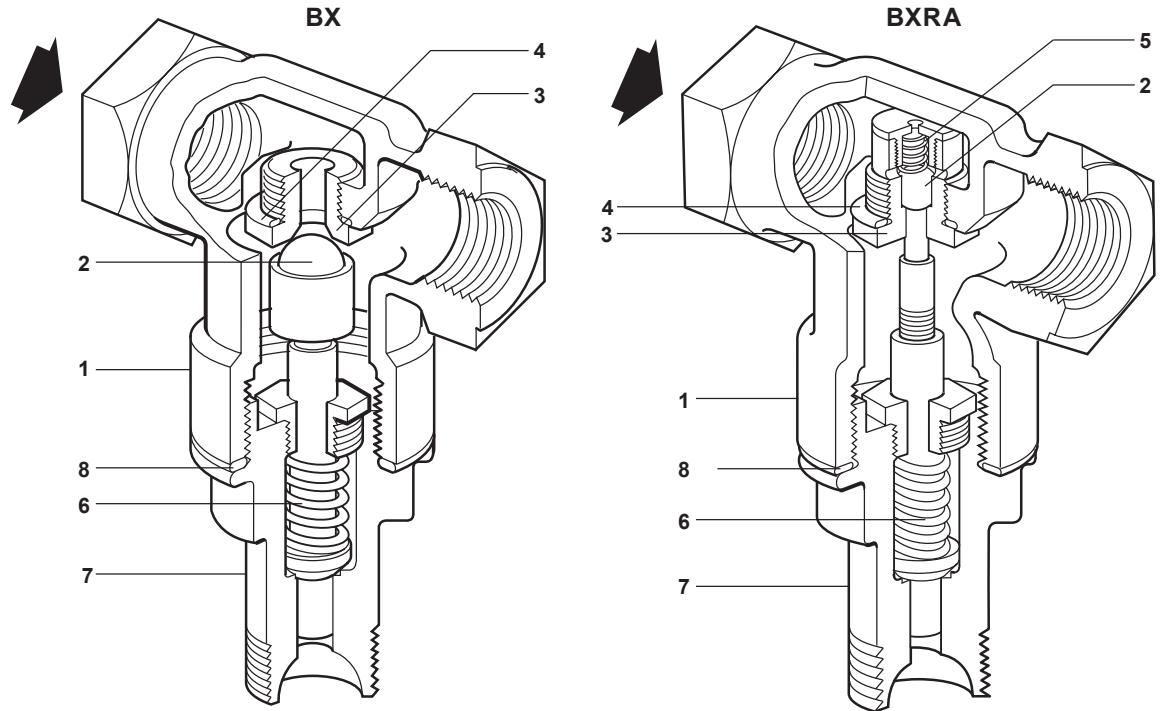
**BXRA** Normally closed, single seat.

### Sizes and pipe connections

½" screwed BSP (BS 21 parallel) or NPT.

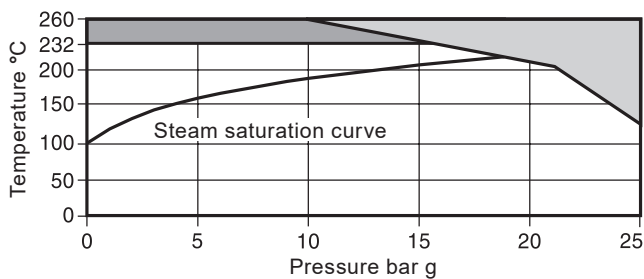


## Materials



No.	Part	Material	
1	Body	Gunmetal	CC491 K or CC491 K M
2	Valve closure member	Stainless steel	AISI 440B
3	Valve seat ring	Stainless steel	BS 970 431 S29
4	Valve seat gasket	Copper	BS 2870 C102
5	Ball return spring	Stainless steel	BS 2056 302 S26
6	Main return spring	Stainless steel	BS 2056 302 S26
7	Bonnet	Brass	BS 2872 CZ 122
8	Bonnet gasket	Reinforced exfoliated graphite	

## Pressure/temperature limits



- The product **must not** be used in this region.
- When the valve is operated with a self-acting temperature control system in this region, a Spirax Sarco spacer must be used.

Body design conditions		PN25
Maximum design temperature	Fitted to a Spirax Sarco spacer	260 °C
	Fitted directly to an actuator	232 °C
Maximum differential pressure	BX	17.2 bar
	BXRA	10.3 bar
Designed for a maximum cold hydraulic test pressure of:		38 bar g

## Kv values

BX2	BX3	BX4	BX6	BXRA	For conversion: C <sub>v</sub> (UK) = K <sub>v</sub> x 0.963 C <sub>v</sub> (US) = K <sub>v</sub> x 1.156
0.38	0.64	1.03	1.65	0.59	

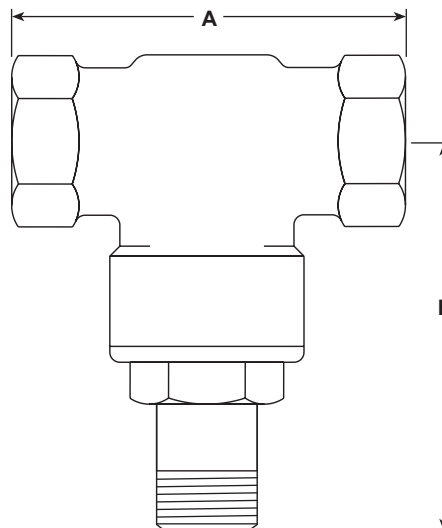
## Capacities

For saturated steam sizing capacities, see TI-GCM-08.

For water sizing capacities, see TI-GCM-09.

## Dimensions / weights (approximate) in mm and kg

Size	A	B	Weight
½"	80	83	0.7



## Safety information, installation and maintenance

For full details see the Installation and Maintenance Instructions supplied with the product.

### Installation note:

The valve should be fitted in a horizontal line. The actuator position will depend on the type fitted to the valve.

### How to order

Example: 1 off Spirax Sarco ½" screwed BSP BX4 self-acting control valve with gunmetal body and stainless steel trim.

## Spare parts

The spare parts available are shown in solid outline. Parts drawn in a grey line are not supplied as spares.

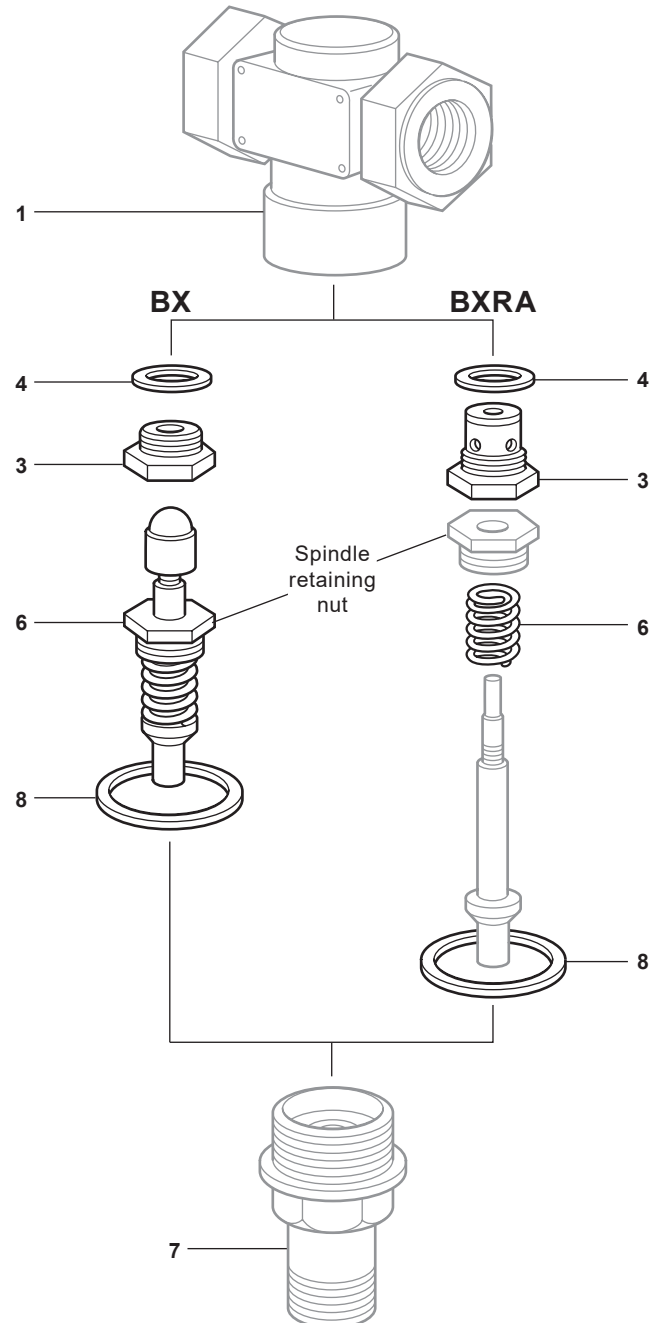
### Available spares

Valve seat assembly	BX valve	3, 4, 6, 8
	BXRA valve	3, 4, 6, 8
Gasket set (packet of 3 each)		4, 8



### How to order spares

Always order spares by using the description given in the column headed 'Available spares' and state the size and type of valve.

**Example:** 1 - Valve seat assembly for a 1/2" BXRA self-acting control valve.



### Recommended tightening torques

Item	Part	 or mm		N m
3	Valve seat	18 A/F		40 - 50
7	Bonnet			40 - 50