



BVA300 Series Pneumatic Actuators for use with Spirax Sarco Ball Valves

Description

The BVA300 series are pneumatic rotary actuators which automate Spirax Sarco ball valves in a wide range of industrial applications. BVA300 actuators are provided with bi-directional travel stops that allow a rotation of 90°±5°. Linkage is made with the new BVL_X kits with extended stem.

Pneumatic actuated ball valve range:

		Page	
Actuators combined with:	Three-piece ball valves:	M10Vi ISO; M10Si ISO; M10Ti ISO; M10Hi ISO; M10HTi	5
		M10HPi ISO; M10Pi ISO	6
		M70i ISO; M80i ISO	7
	Two-piece ball valves:	M31V ISO; M31S ISO; M33V ISO; M33S ISO; M33F ISO; M33T ISO	8
		M33H ISO; M33HT ISO	9
	One-piece ball valves:	M21Hi ISO; M21HTi ISO; M40Hi ISO; M40HTi ISO	10
		M45i ISO	11
		M21Ti ISO; M21Vi ISO; M21Si ISO; M21Fi; M40Ti ISO; M40Vi ISO; M40Si ISO; M40Fi ISO	12
		M21ViJ ISO; M21SiJ ISO; M40ViJ ISO; M40SiJ ISO	13

BVA300 pneumatic actuator range:

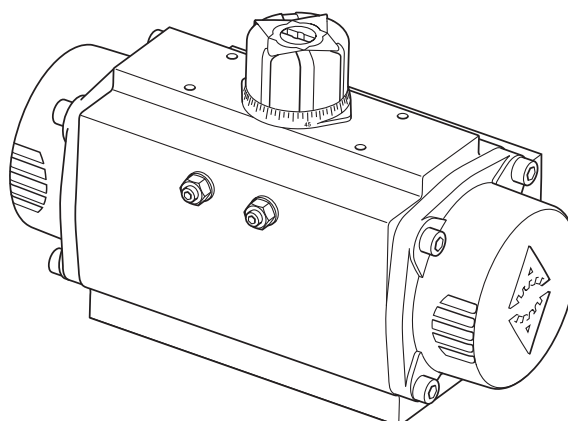
For optimum actuator performance use the selection tables on pages 5 to 13.

Double acting: 310D, 315D, 320D, 325D, 330D, 335D, 340D, 345D, 350D, 355D, 357D, 360D, 365D.

Single acting (spring return): 310S, 315S, 320S, 325S, 330S, 335S, 340S, 345S, 350S, 355S, 357S, 360S, 365S.

Technical data

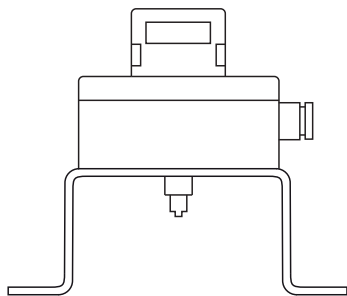
Maximum pressure	8 bar g
Minimal pressure	3 bar g
Operating pressure range (standard)	3, 4, 5 or 6 bar g
Operating temperature range	-30 °C to 100 °C
Note: Other operating temperature ranges available on request.	
Operating media	Compressed air (clean and dry) Non corrosive gas Light hydraulic oil (must be compatible with 'O' rings)
Rotation 90 ±5°	Anticlockwise with port 'A' pressurised



Optional extras:

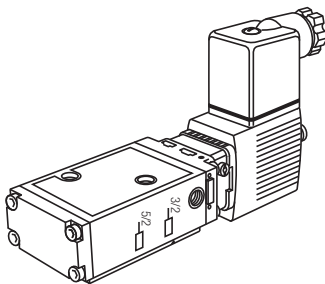
Limit switch box:

For more details, see TI-P372-26



Solenoid valve: a range of Namur electrical valves with an encapsulation rating to IP65 is available for use with BVA actuators. These can be used to drive actuators with compressed air or non-corrosive gas.

Note: Explosion proof solenoid valves are available on request.

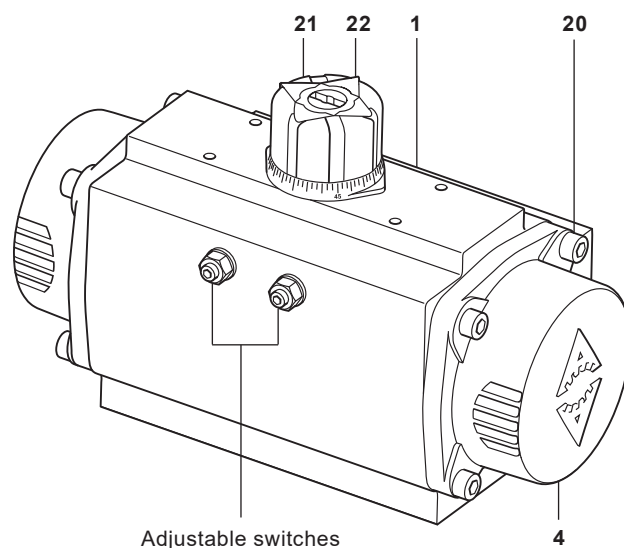


Solenoid	Coil voltage
	220 Vac
3/2 NAMUR for BVAS	110 Vac
	24 Vac/dc
5/2 NAMUR for BVAD	220 Vac
	110 Vac
	24 Vac/dc

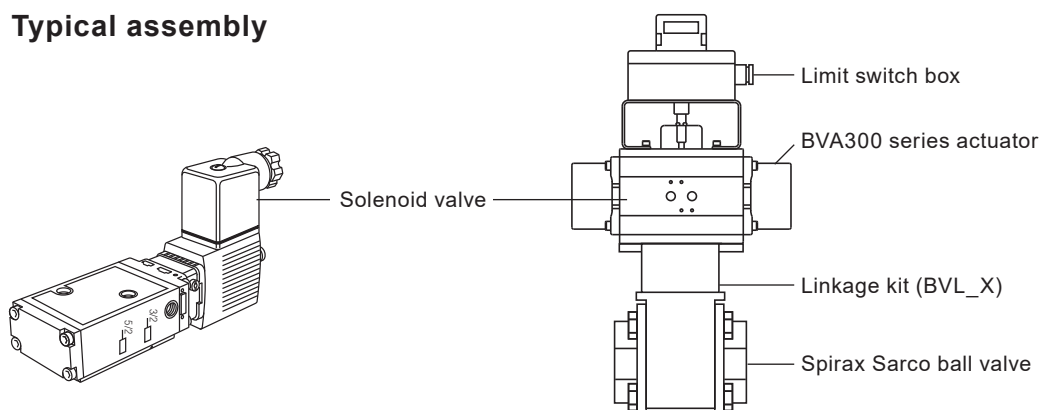
Materials

No	Part	Material
1	Body	Aluminium hard anodized
3	Pinion*	Nickel plated carbon steel
4	End caps	Aluminium epoxy coated
20	Bolt	Stainless steel
21	Indicator cap	Polyamide
22	Coloured indicator	Polyamide

*shown clearly in the spares drawing on page 4



Typical assembly

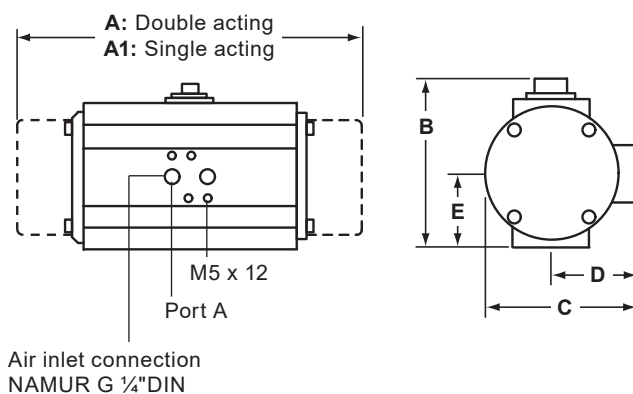


BVL_X linkage kit components and materials

Frame	Stainless steel AISI 304
Stem adapter	Stainless steel AISI 304
Frame-to-actuator screws	Stainless steel
Washers	Stainless steel
Frame-to-valve screws	Stainless steel
Stem nut	Stainless steel

Dimensions/weights (approximate) in mm and kg

Type	A1	A	B	C	D	E	Weights	
							Single	Double
BVA310	163	145	96	76	48	34	1.6	1.4
BVA315	195	158	115	91	56	45	2.3	2.1
BVA320	217	177	137	111	66	55	3.7	3.0
BVA325	258	196	147	122	71	60	4.8	3.8
BVA330	299	225	165	136	78	70	7.3	5.6
BVA335	349	273	182	153	86	80	10.8	8.5
BVA340	397	304	199	173	96	85	15.4	11.2
BVA345	473	372	221	192	106	98	22.2	16.9
BVA350	560	439	249	213	116	114	34.3	25.8
BVA355	601	461	280	243	131	130	46.0	32.5
BVA357	698	504	313	276	148	147	66.0	49.1
BVA360	738	518	383	356	178	177	99.9	69.6
BVA365	940	630	434	415	213	201	183.0	129.4



How to order

Note: You will need to refer to the selection tables (pages 5 to 13) before placing an order.

How to order example:

- 1 - Spirax Sarco BVA320S/8 actuator
- 1 - 3/2 NAMUR solenoid 24 Vac
- 1 - 303X linkage kit
- 1 - LSB72 limit switch box

Note: Actuated ball valves may be supplied completely assembled to suit the application.

Spare parts The spare parts available are detailed below. No other parts are supplied as spares.

Available spares

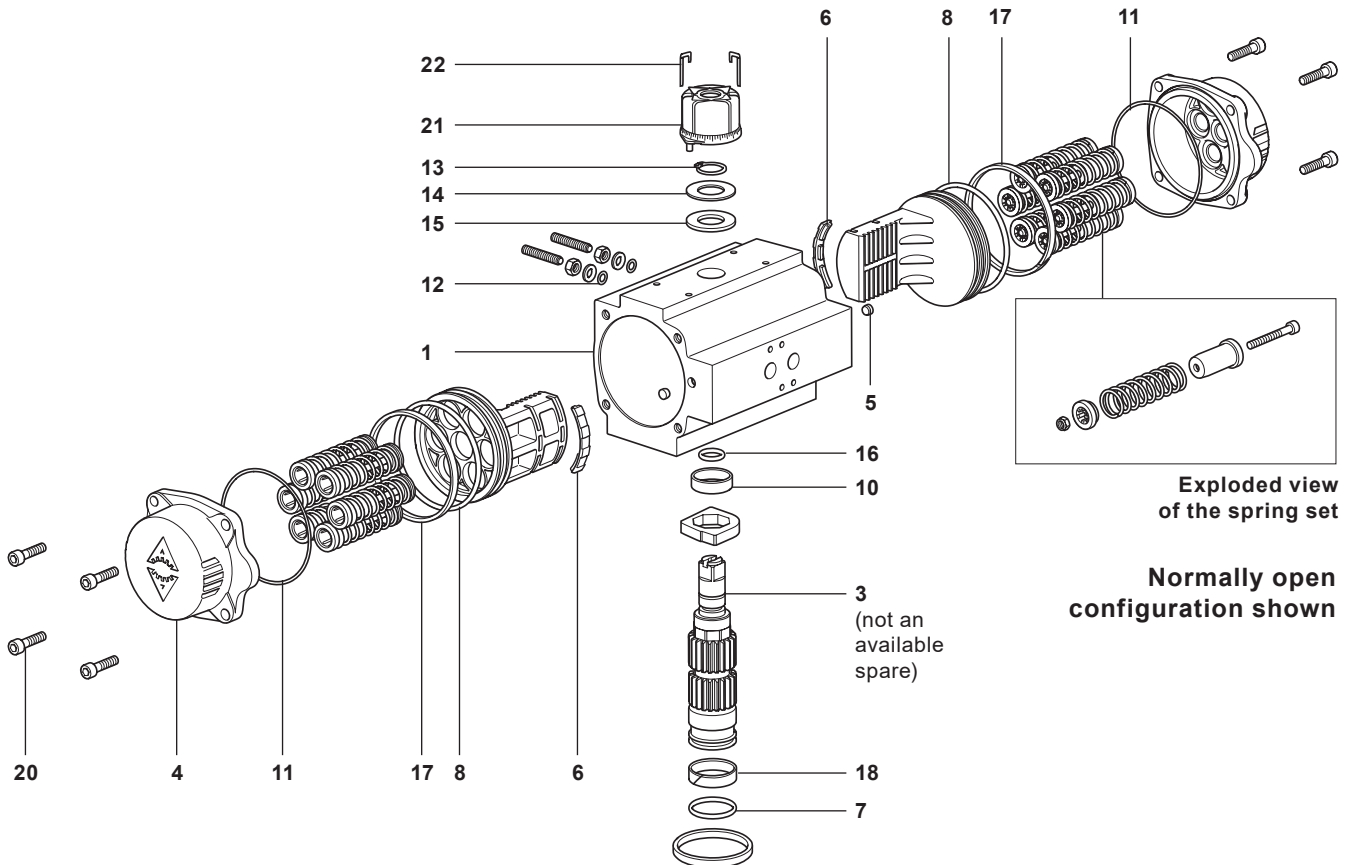
	'O' rings set (available either in NBR, Viton or Silicon)	7, 8, 11, 12, 16
BVA300 series maintenance kit	Pinion washers	13, 14, 15
	Others	5, 6, 10, 17, 18

How to order spares

Always order spares by using the description given in the column headed 'Available spares' and state the nomenclature of the pneumatic actuator that they are intended for.

Note: all the spares mentioned above are sold together in one spare part kit.

Example: 1 - BVA300 series maintenance kit with 'O' rings in NBR for a Spirax Sarco BVA320S/08 pneumatic actuator.



Spring quantity selection

According to the available air pressure, the BVA has different spring configurations. For more details, see the Installation and Maintenance Instructions IM-P372-24.

BVA	Springs					
	S/4	S/6	S/8	S/10	S/12	S/14
310	•	•	•			
315 - 365			•	•	•	•

Example: BVA325S/10 has 10 springs.

Selection tables

Pages 5 to 13 contain all necessary information to select the correct actuator for relevant Spirax Sarco ball valves. For valves not appearing in these tables please contact Spirax Sarco for advice.

Pneumatic actuator selection tables for three-piece ball valves

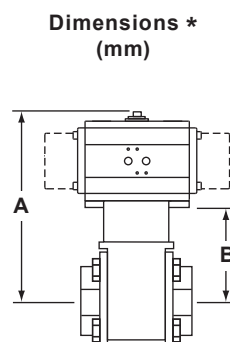
M10Vi ISO, M10Si ISO and M10Ti ISO ball valves

DN	Double acting		Single acting	
	BVA	BVL	BVA	BVL
Actuator operating pressure 3 bar g				
1/4" RB - 3/8" RB	310D	300X	310S/4	300X
1/2" RB - 3/8" FB	310D	300X	310S/4	300X
3/4" RB - 1/2" FB	310D	300X	315S/8	300X
1" RB - 3/4" FB	315D	302X	320S/8	303X
1 1/4" RB - 1" FB	320D	311X	325S/8	311X
1 1/2" RB - 1 1/4" FB	330D	305X	340S/8	316X
2" RB - 1 1/2" FB	330D	306X	340S/8	307X
2 1/2" RB - 2" FB	335D	309X	340S/8	309X
Actuator operating pressure 4 bar g				
1/4" RB - 3/8" RB	310D	300X	310S/6	300X
1/2" RB - 3/8" FB	310D	300X	310S/6	300X
3/4" RB - 1/2" FB	310D	300X	315S/10	300X
1" RB - 3/4" FB	315D	302X	320S/10	303X
1 1/4" RB - 1" FB	315D	310X	320S/10	311X
1 1/2" RB - 1 1/4" FB	325D	305X	335S/10	316X
2" RB - 1 1/2" FB	325D	306X	335S/10	307X
2 1/2" RB - 2" FB	330D	308X	340S/10	309X
Actuator operating pressure 5 bar g				
1/4" RB - 3/8" RB	310D	300X	310S/6	300X
1/2" RB - 3/8" FB	310D	300X	310S/6	300X
3/4" RB - 1/2" FB	310D	300X	310S/6	300X
1" RB - 3/4" FB	315D	302X	320S/12	303X
1 1/4" RB - 1" FB	315D	310X	320S/12	311X
1 1/2" RB - 1 1/4" FB	320D	305X	330S/12	305X
2" RB - 1 1/2" FB	325D	306X	335S/12	307X
2 1/2" RB - 2" FB	325D	308X	335S/12	309X
Actuator operating pressure 6 bar g				
1/4" RB - 3/8" RB	310D	300X	310S/8	300X
1/2" RB - 3/8" FB	310D	300X	310S/8	300X
3/4" RB - 1/2" FB	310D	300X	310S/8	300X
1" RB - 3/4" FB	310D	302X	315S/14	302X
1 1/4" RB - 1" FB	315D	310X	320S/14	311X
1 1/2" RB - 1 1/4" FB	320D	305X	330S/14	305X
2" RB - 1 1/2" FB	320D	306X	330S/14	306X
2 1/2" RB - 2" FB	325D	308X	335S/14	309X

M10Hi ISO and M10HTi ball valves

DN	Double acting		Single acting	
	BVA	BVL	BVA	BVL
Actuator operating pressure 3 bar g				
1/4" RB - 3/8" RB	315D	490X	320S/8	491X
1/2" RB - 3/8" FB	315D	490X	320S/8	491X
3/4" RB - 1/2" FB	315D	490X	325S/8	491X
1" RB - 3/4" FB	320D	493X	330S/8	493X
1 1/4" RB - 1" FB	325D	494X	340S/8	495X
1 1/2" RB - 1 1/4" FB	330D	496X	340S/8	497X
2" RB - 1 1/2" FB	330D	498X	340S/8	499X
2 1/2" RB - 2" FB	335D	502X	345S/8	503X
Actuator operating pressure 4 bar g				
1/4" RB - 3/8" RB	310D	490X	320S/10	491X
1/2" RB - 3/8" FB	310D	490X	320S/10	491X
3/4" RB - 1/2" FB	315D	490X	320S/10	491X
1" RB - 3/4" FB	320D	493X	325S/10	493X
1 1/4" RB - 1" FB	325D	494X	335S/10	495X
1 1/2" RB - 1 1/4" FB	325D	496X	335S/10	497X
2" RB - 1 1/2" FB	330D	498X	340S/10	499X
2 1/2" RB - 2" FB	335D	502X	340S/10	502X
Actuator operating pressure 5 bar g				
1/4" RB - 3/8" RB	310D	490X	315S/12	490X
1/2" RB - 3/8" FB	310D	490X	315S/12	490X
3/4" RB - 1/2" FB	315D	490X	320S/12	491X
1" RB - 3/4" FB	315D	492X	325S/12	493X
1 1/4" RB - 1" FB	320D	494X	330S/12	494X
1 1/2" RB - 1 1/4" FB	325D	496X	335S/12	497X
2" RB - 1 1/2" FB	325D	498X	335S/12	499X
2 1/2" RB - 2" FB	330D	505X	335S/12	502X
Actuator operating pressure 6 bar g				
1/4" RB - 3/8" RB	310D	490X	315S/14	490X
1/2" RB - 3/8" FB	310D	490X	315S/14	490X
3/4" RB - 1/2" FB	310D	490X	320S/14	491X
1" RB - 3/4" FB	315D	492X	320S/14	493X
1 1/4" RB - 1" FB	320D	494X	330S/14	494X
1 1/2" RB - 1 1/4" FB	320D	496X	330S/14	496X
2" RB - 1 1/2" FB	325D	498X	335S/14	499X
2 1/2" RB - 2" FB	325D	505X	335S/14	502X

DN	A	B
1/4"	218	122
3/8"	218	122
1/2"	218	122
3/4"	239	124
1"	266	129
1 1/4"	281	134
1 1/2"	336	137
2"	342	143
2 1/2"	356	157



DN	A	B
1/4"	259	122
3/8"	259	122
1/2"	259	122
3/4"	271	124
1"	294	129
1 1/4"	347	134
1 1/2"	336	137
2"	342	143
2 1/2"	378	157

* Note: The dimensions A and B represent the maximum size (mm) for the biggest recommended actuator according to each valve.

Selection tables

Pages 5 to 13 contain all necessary information to select the correct actuator for relevant Spirax Sarco ball valves. For valves not appearing in these tables please contact Spirax Sarco for advice.

Pneumatic actuator selection tables for three-piece ball valves

M10HPi ISO ball valves

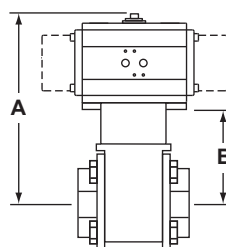
DN	Double acting		Single acting	
	BVA	BVL	BVA	BVL
Actuator operating pressure 3 bar g				
1/4" RB - 3/8" RB	315D	490X	320S/8	491X
1/2" RB - 3/8" FB	315D	490X	320S/8	491X
3/4" RB - 1/2" FB	315D	490X	325S/8	491X
1" RB - 3/4" FB	320D	493X	330S/8	493X
1 1/4" RB - 1" FB	325D	494X	340S/8	495X
1 1/2" RB - 1 1/4" FB	330D	496X	340S/8	497X
2" RB - 1 1/2" FB	335D	499X	345S/8	500X
Actuator operating pressure 4 bar g				
1/4" RB - 3/8" RB	310D	490X	320S/10	491X
1/2" RB - 3/8" FB	310D	490X	320S/10	491X
3/4" RB - 1/2" FB	315D	490X	320S/10	491X
1" RB - 3/4" FB	320D	493X	325S/10	493X
1 1/4" RB - 1" FB	325D	494X	335S/10	495X
1 1/2" RB - 1 1/4" FB	325D	496X	335S/10	497X
2" RB - 1 1/2" FB	335D	499X	340S/10	499X
Actuator operating pressure 5 bar g				
1/4" RB - 3/8" RB	310D	490X	315S/12	490X
1/2" RB - 3/8" FB	310D	490X	315S/12	490X
3/4" RB - 1/2" FB	315D	490X	320S/12	491X
1" RB - 3/4" FB	315D	492X	325S/12	493X
1 1/4" RB - 1" FB	320D	494X	330S/12	494X
1 1/2" RB - 1 1/4" FB	325D	496X	335S/12	497X
2" RB - 1 1/2" FB	330D	498X	340S/12	499X
Actuator operating pressure 6 bar g				
1/4" RB - 3/8" RB	310D	490X	315S/14	490X
1/2" RB - 3/8" FB	310D	490X	315S/14	490X
3/4" RB - 1/2" FB	310D	490X	320S/14	491X
1" RB - 3/4" FB	315D	492X	320S/14	493X
1 1/4" RB - 1" FB	320D	494X	330S/14	494X
1 1/2" RB - 1 1/4" FB	320D	496X	330S/14	496X
2" RB - 1 1/2" FB	330D	498X	340S/14	499X

DN	A	B
1/4"	259	122
3/8"	259	122
1/2"	259	122
3/4"	271	124
1"	294	129
1 1/4"	347	134
1 1/2"	336	137
2"	381	143

M10Pi ISO ball valves

DN	Double acting		Single acting	
	BVA	BVL	BVA	BVL
Actuator operating pressure 3 bar g				
1/4" RB - 3/8" RB	310D	490X	310S/4	490X
1/2" RB - 3/8" FB	310D	490X	310S/4	490X
3/4" RB - 1/2" FB	310D	490X	315S/8	490X
1" RB - 3/4" FB	315D	492X	320S/8	493X
1 1/4" RB - 1" FB	320D	494X	325S/8	494X
1 1/2" RB - 1 1/4" FB	330D	496X	340S/8	497X
2" RB - 1 1/2" FB	330D	498X	340S/8	499X
2 1/2" RB - 2" FB	330D	505X	340S/8	502X
Actuator operating pressure 4 bar g				
1/4" RB - 3/8" RB	310D	490X	310S/6	490X
1/2" RB - 3/8" FB	310D	490X	310S/6	490X
3/4" RB - 1/2" FB	310D	490X	315S/10	490X
1" RB - 3/4" FB	315D	492X	320S/10	493X
1 1/4" RB - 1" FB	315D	504X	320S/10	494X
1 1/2" RB - 1 1/4" FB	325D	496X	335S/10	497X
2" RB - 1 1/2" FB	325D	498X	335S/10	499X
2 1/2" RB - 2" FB	330D	505X	340S/10	502X
Actuator operating pressure 5 bar g				
1/4" RB - 3/8" RB	310D	490X	310S/6	490X
1/2" RB - 3/8" FB	310D	490X	310S/6	490X
3/4" RB - 1/2" FB	310D	490X	310S/6	490X
1" RB - 3/4" FB	315D	492X	320S/12	493X
1 1/4" RB - 1" FB	315D	504X	320S/12	494X
1 1/2" RB - 1 1/4" FB	320D	496X	330S/12	496X
2" RB - 1 1/2" FB	325D	498X	335S/12	499X
2 1/2" RB - 2" FB	325D	505X	335S/12	502X
Actuator operating pressure 6 bar g				
1/4" RB - 3/8" RB	310D	490X	310S/8	490X
1/2" RB - 3/8" FB	310D	490X	310S/8	490X
3/4" RB - 1/2" FB	310D	490X	310S/8	490X
1" RB - 3/4" FB	310D	492X	315S/14	492X
1 1/4" RB - 1" FB	315D	504X	320S/14	494X
1 1/2" RB - 1 1/4" FB	320D	496X	330S/14	496X
2" RB - 1 1/2" FB	320D	498X	330S/14	498X
2 1/2" RB - 2" FB	325D	505X	335S/14	502X

Dimensions *
(mm)



DN	A	B
1/4"	218	122
3/8"	218	122
1/2"	218	122
3/4"	239	124
1"	266	129
1 1/4"	281	134
1 1/2"	336	137
2"	342	143
2 1/2"	356	157

* Note: The dimensions A and B represent the maximum size (mm) for the biggest recommended actuator according to each valve.

Selection tables

Pages 5 to 13 contain all necessary information to select the correct actuator for relevant Spirax Sarco ball valves. For valves not appearing in these tables please contact Spirax Sarco for advice.

Pneumatic actuator selection tables for three-piece ball valves

M70i ISO ball valve

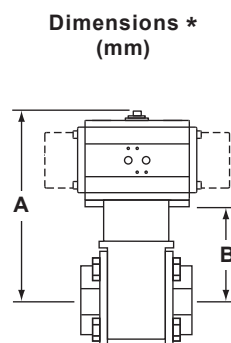
DN	Double acting		Single acting	
	BVA	BVL	BVA	BVL
Actuator operating pressure 3 bar g				
½"	315D	300X	320S/8	301X
¾"	315D	300X	325S/8	301X
1"	320D	303X	325S/8	303X
1½"	330D	306X	340S/8	307X
2"	335D	309X	345S/8	318X
Actuator operating pressure 4 bar g				
½"	315D	300X	320S/10	301X
¾"	315D	300X	320S/10	301X
1"	315D	302X	325S/10	303X
1½"	330D	306X	340S/10	307X
2"	335D	309X	340S/10	309X
Actuator operating pressure 5 bar g				
½"	310D	300X	320S/12	301X
¾"	315D	300X	320S/12	301X
1"	315D	302X	320S/12	303X
1½"	325D	306X	335S/12	307X
2"	330D	308X	340S/12	309X
Actuator operating pressure 6 bar g				
½"	310D	300X	315S/14	300X
¾"	310D	300X	320S/14	301X
1"	315D	302X	320S/14	303X
1½"	325D	306X	335S/14	307X
2"	330D	308X	335S/14	309X

M80i ISO ball valve

DN	Double acting		Single acting	
	BVA	BVL	BVA	BVL
Actuator operating pressure 3 bar g				
2½"	335D	481X	345S/8	482X
3"	340D	481X	345S/8	482X
4"	340D	484X	350S/8	486X
Actuator operating pressure 4 bar g				
2½"	335D	481X	340S/10	481X
3"	335D	481X	345S/10	482X
4"	335D	484X	345S/10	485X
Actuator operating pressure 5 bar g				
2½"	330D	480X	340S/12	481X
3"	335D	481X	340S/12	481X
4"	335D	484X	345S/12	485X
Actuator operating pressure 6 bar g				
2½"	330D	480X	340S/14	481X
3"	330D	480X	340S/14	481X
4"	335D	484X	340S/14	484X

DN	A	B
2½"	407	186
3"	434	213
4"	499	250

DN	A	B
½"	259	122
¾"	271	124
1"	276	129
1½"	342	143
2"	378	157



* **Note:** The dimensions **A** and **B** represent the maximum size (mm) for the biggest recommended actuator according to each valve.

Selection tables

Pages 5 to 13 contain all necessary information to select the correct actuator for relevant Spirax Sarco ball valves. For valves not appearing in these tables please contact Spirax Sarco for advice.

Pneumatic actuator selection tables for two-piece ball valves

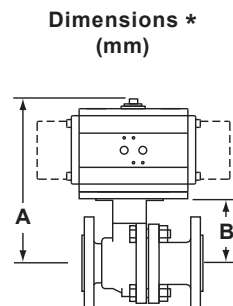
M31V ISO and M31S ISO ball valves

DN	Double acting		Single acting	
	BVA	BVL	BVA	BVL
Actuator operating pressure 3 bar g				
2"	325D	400X	335S/8	401X
2½"	330D	402X	340S/8	403X
3"	330D	402X	345S/8	404X
4"	345D	406X	355S/8	407X
6"	355D	409X	365S/8	414X
8"	360D	413X	-	-
Actuator operating pressure 4 bar g				
2"	320D	400X	330S/10	400X
2½"	325D	402X	335S/10	403X
3"	330D	402X	340S/10	403X
4"	340D	405X	350S/10	407X
6"	355D	409X	360S/10	410X
8"	355D	412X	360S/12	413X
Actuator operating pressure 5 bar g				
2"	320D	400X	330S/12	400X
2½"	320D	402X	330S/12	402X
3"	325D	402X	335S/12	403X
4"	335D	405X	350S/12	407X
6"	350D	409X	360S/12	410X
8"	355D	412X	360S/12	413X
Actuator operating pressure 6 bar g				
2"	320D	400X	330S/14	400X
2½"	320D	402X	330S/14	402X
3"	325D	402X	335S/14	403X
4"	335D	405X	345S/14	406X
6"	350D	409X	360S/14	410X
8"	350D	412X	360S/14	413X

M33V ISO, M33S ISO, M33F and M33T ISO ball valves

DN	Double acting		Single acting	
	BVA	BVL	BVA	BVL
Actuator operating pressure 3 bar g				
2"	330D	510X	340S/8	511X
2½"	335D	513X	345S/8	514X
3"	340D	513X	350S/8	526X
4"	350D	517X	360S/8	527X
6"	360D	520X	365S/8	521X
8"	365D	525X	-	-
Actuator operating pressure 4 bar g				
2"	330D	510X	335S/10	511X
2½"	335D	513X	340S/10	513X
3"	335D	513X	345S/10	514X
4"	345D	516X	355S/10	517X
6"	355D	519X	360S/10	520X
8"	360D	524X	365S/10	525X
Actuator operating pressure 5 bar g				
2"	325D	510X	335S/12	511X
2½"	330D	512X	340S/12	513X
3"	335D	513X	340S/12	513X
4"	345D	516X	355S/12	517X
6"	350D	519X	360S/12	520X
8"	360D	524X	365S/12	525X
Actuator operating pressure 6 bar g				
2"	325D	510X	335S/14	511X
2½"	330D	512X	335S/14	513X
3"	335D	513X	340S/14	513X
4"	345D	516X	350S/14	517X
6"	350D	519X	360S/14	520X
8"	360D	524X	365S/14	525X

DN	A	B
2"	340	158
2½"	371	172
3"	400	179
4"	488	208
6"	747	313
8"	731	348



DN	A	B
2"	356	157
2½"	390	169
3"	426	177
4"	647	264
6"	750	316
8"	785	351

* Note: The dimensions A and B represent the maximum size (mm) for the biggest recommended actuator according to each valve.

Selection tables

Pages 5 to 13 contain all necessary information to select the correct actuator for relevant Spirax Sarco ball valves. For valves not appearing in these tables please contact Spirax Sarco for advice.

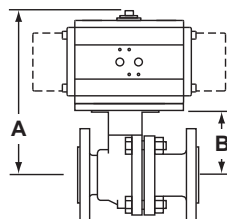
Pneumatic actuator selection tables for two-piece ball valves

M33H ISO and M33HT ISO ball valves

DN	Double acting		Single acting	
	BVA	BVL	BVA	BVL
Actuator operating pressure 3 bar g				
2"	335D	511X	345S/8	528X
2½"	335D	513X	345S/8	514X
3"	340D	513X	350S/8	526X
4"	350D	517X	360S/8	527X
6"	360D	520X	365S/8	521X
8"	365D	525X	-	-
Actuator operating pressure 4 bar g				
2"	330D	510X	340S/10	511X
2½"	335D	513X	340S/10	513X
3"	335D	513X	345S/10	514X
4"	345D	516X	355S/10	517X
6"	357D	520X	360S/10	520X
8"	360D	524X	365S/10	525X
Actuator operating pressure 5 bar g				
2"	330D	510X	340S/12	511X
2½"	330D	512X	340S/12	513X
3"	335D	513X	345S/12	514X
4"	345D	516X	355S/12	517X
6"	355D	519X	360S/12	520X
8"	360D	524X	365S/12	525X
Actuator operating pressure 6 bar g				
2"	325D	510X	335S/14	511X
2½"	325D	512X	340S/14	513X
3"	335D	513X	340S/14	513X
4"	345D	516X	350S/14	517X
6"	350D	519X	360S/14	520X
8"	360D	524X	365S/14	525X

DN	A	B
2"	395	174
2½"	390	169
3"	426	177
4"	647	264
6"	750	316
8"	785	351

Dimensions *
(mm)



* **Note:** The dimensions **A** and **B** represent the maximum size (mm) for the biggest recommended actuator according to each valve.

Selection tables

Pages 5 to 13 contain all necessary information to select the correct actuator for relevant Spirax Sarco ball valves. For valves not appearing in these tables please contact Spirax Sarco for advice.

Pneumatic actuator selection tables for one-piece ball valves

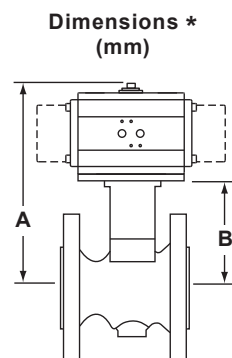
M21Hi ISO and M21HTi ISO ball valves

M40Hi ISO and M40HTi ISO ball valves

DN	Double acting		Single acting	
	BVA	BVL	BVA	BVL
Actuator operating pressure 3 bar g				
½" **	315D	300X	325S/8	301X
¾" **	315D	300X	325S/8	301X
1"	320D	303X	325S/8	303X
1¼"	320D	494X	330S/8	494X
1½"	325D	306X	340S/8	307X
2"	330D	306X	340S/8	307X
2½"	335D	511X	345S/8	528X
3"	335D	513X	345S/8	514X
4"	340D	513X	350S/8	526X
6"	350D	517X	360S/8	527X
Actuator operating pressure 4 bar g				
½" **	315D	300X	320S/10	301X
¾" **	315D	300X	320S/10	301X
1"	315D	302X	325S/10	303X
1¼"	320D	494X	325S/10	494X
1½"	325D	306X	335S/10	307X
2"	325D	306X	335S/10	307X
2½"	335D	511X	345S/10	528X
3"	335D	513X	345S/10	514X
4"	340D	513X	350S/10	526X
6"	350D	517X	357S/10	527X

DN	Double acting		Single acting	
	BVA	BVL	BVA	BVL
Actuator operating pressure 5 bar g				
½" **	315D	300X	320S/12	301X
¾" **	315D	300X	320S/12	301X
1"	315D	302X	320S/12	303X
1¼"	315D	504X	325S/12	494X
1½"	320D	306X	330S/12	306X
2"	325D	306X	335S/12	307X
2½"	330D	510X	340S/12	511X
3"	330D	512X	345S/12	514X
4"	335D	513X	345S/12	514X
6"	345D	516X	357S/12	527X
Actuator operating pressure 6 bar g				
½" **	310D	300X	320S/14	301X
¾" **	310D	300X	320S/14	301X
1"	315D	302X	320S/14	303X
1¼"	315D	504X	325S/14	494X
1½"	320D	306X	330S/14	306X
2"	320D	306X	330S/14	306X
2½"	330D	510X	340S/14	511X
3"	330D	512X	340S/14	513X
4"	335D	513X	345S/14	514X
6"	345D	516X	355S/14	517X

DN	A	B
½" **	271	124
¾" **	271	124
1"	276	129
1¼"	299	134
1½"	337	138
2"	342	143
2½"	395	174
3"	383	162
4"	426	177
6"	647	264



* **Note:** The dimensions A and B represent the maximum size (mm) for the biggest recommended actuator according to each valve.

** **Note:** ½" and ¾" just for M21i

Selection tables

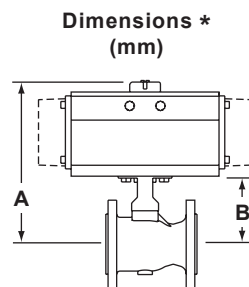
Pages 5 to 13 contain all necessary information to select the correct actuator for relevant Spirax Sarco ball valves. For valves not appearing in these tables please contact Spirax Sarco for advice.

Pneumatic actuator selection tables for one-piece ball valves

M45i ISO ball valves

DN	Double acting		Single acting	
	BVA	BVL	BVA	BVL
Actuator operating pressure 3 bar g				
1"	320D	303X	325S/8	303X
1¼"	320D	494X	330S/8	494X
1½"	325D	306X	340S/8	307X
2"	330D	306X	340S/8	307X
2½"	335D	511X	345S/8	528X
3"	340D	513X	345S/8	514X
4"	345D	514X	355S/8	526X
6"	345D	516X	360S/8	527X
Actuator operating pressure 4 bar g				
1"	315D	302X	325S/10	303X
1¼"	320D	494X	330S/10	494X
1½"	325D	306X	330S/10	306X
2"	325D	306X	335S/10	307X
2½"	330D	510X	340S/10	511X
3"	335D	513X	345S/10	514X
4"	340D	513X	350S/10	526X
6"	345D	516X	355S/10	517X
Actuator operating pressure 5 bar g				
1"	315D	302X	320S/12	303X
1¼"	320D	494X	325S/12	494X
1½"	320D	306X	330S/12	306X
2"	325D	306X	335S/12	307X
2½"	330D	510X	340S/12	511X
3"	335D	513X	340S/12	513X
4"	335D	513X	345S/12	514X
6"	340D	515X	355S/12	517X
Actuator operating pressure 6 bar g				
1"	315D	302X	320S/14	303X
1¼"	315D	504X	325S/14	494X
1½"	320D	306X	330S/14	306X
2"	320D	306X	330S/14	306X
2½"	325D	510X	335S/14	511X
3"	330D	512X	340S/14	513X
4"	335D	513X	345S/14	514X
6"	340D	515X	350S/14	517X

DN	A	B
1"	276	129
1¼"	299	134
1½"	337	138
2"	342	143
2½"	378	157
3"	383	162
4"	457	177
6"	650	264



* **Note:** The dimensions **A** and **B** represent the maximum size (mm) for the biggest recommended actuator according to each valve.

Selection tables

Pages 5 to 13 contain all necessary information to select the correct actuator for relevant Spirax Sarco ball valves. For valves not appearing in these tables please contact Spirax Sarco for advice.

Pneumatic actuator selection tables for one-piece ball valves

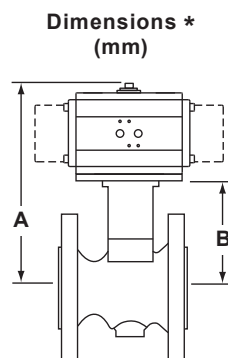
M21Ti ISO, M21Vi ISO, M21Si ISO and M21Fi ball valves

M40Ti ISO, M40Vi ISO, M40Si ISO and M40Fi ISO ball valves

DN	Double acting		Single acting	
	BVA	BVL	BVA	BVL
Actuator operating pressure 3 bar g				
½" **	310D	300X	320S/8	301X
¾"***	310D	300X	320S/8	301X
1"	315D	302X	320S/8	303X
1¼"	320D	494X	325S/8	494X
1½"	320D	306X	330S/8	306X
2"	320D	306X	330S/8	306X
2½"	330D	510X	340S/8	511X
3"	335D	513X	345S/8	514X
4"	340D	513X	350S/8	526X
6"	340D	515X	350S/8	517X
8" ***	360D	520X	365S/8	521X
Actuator operating pressure 4 bar g				
½" **	310D	300X	315S/10	300X
¾"***	310D	300X	315S/10	300X
1"	315D	302X	320S/10	303X
1¼"	315D	504X	320S/10	494X
1½"	320D	306X	325S/10	306X
2"	320D	306X	330S/10	306X
2½"	325D	510X	335S/10	511X
3"	335D	513X	340S/10	513X
4"	335D	513X	345S/10	514X
6"	335D	515X	345S/10	516X
8" ***	355D	519X	360S/10	520X

DN	Double acting		Single acting	
	BVA	BVL	BVA	BVL
Actuator operating pressure 5 bar g				
½" **	310D	300X	315S/12	300X
¾"***	310D	300X	315S/12	300X
1"	315D	302X	320S/12	303X
1¼"	315D	504X	320S/12	494X
1½"	315D	506X	325S/12	306X
2"	320D	306X	325S/12	306X
2½"	325D	510X	335S/12	511X
3"	330D	512X	340S/12	513X
4"	335D	513X	340S/12	513X
6"	335D	515X	345S/12	516X
8" ***	350D	519X	360S/12	520X
Actuator operating pressure 6 bar g				
½" **	310D	300X	315S/14	300X
¾"***	310D	300X	315S/14	300X
1"	310D	302X	315S/14	302X
1¼"	315D	504X	320S/14	494X
1½"	315D	506X	325S/14	306X
2"	315D	506X	325S/14	306X
2½"	320D	510X	330S/14	510X
3"	330D	512X	335S/14	513X
4"	330D	512X	340S/14	513X
6"	335D	515X	345S/14	516X
8" ***	350D	519X	360S/14	520 X

DN	A	B
½"	271	124
¾"	271	124
1"	276	129
1¼"	299	134
1½"	337	138
2"	342	143
2½"	356	157
3"	383	162
4"	398	177
6"	513	264
8"	750	316



* **Note:** The dimensions A and B represent the maximum size (mm) for the biggest recommended actuator according to each valve.

** **Note:** ½" and ¾" just for M21i

*** **Note:** 8" just for M40i

Selection tables

Pages 5 to 13 contain all necessary information to select the correct actuator for relevant Spirax Sarco ball valves. For valves not appearing in these tables please contact Spirax Sarco for advice.

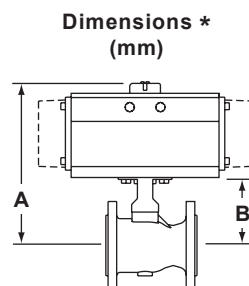
Pneumatic actuator selection tables for one-piece ball valves

M21ViJ ISO and M21SiJ ISO ball valves.

M40ViJ ISO and M40SiJ ISO ball valves.

DN	Double acting		Single acting	
	BVA	BVL	BVA	BVL
Actuator operating pressure 3 bar g				
1½"	320D	306X	330S/8	306X
2"	325D	306X	330S/8	306X
2½"	330D	510X	340S/8	511X
3"	335D	513X	345S/8	514X
4"	340D	513X	350S/8	526X
Actuator operating pressure 4 bar g				
1½"	320D	306X	325S/10	306X
2"	320D	306X	330S/10	306X
2½"	330D	510X	335S/10	511X
3"	335D	513X	345S/10	514X
4"	340D	513X	345S/10	514X
Actuator operating pressure 5 bar g				
1½"	320D	306X	325S/12	306X
2"	320D	306X	325S/12	306X
2½"	325D	510X	335S/12	511X
3"	335D	513X	340S/12	513X
4"	335D	513X	345S/12	514X
Actuator operating pressure 6 bar g				
1½"	320D	306X	325S/14	306X
2"	320D	306X	325S/14	306X
2½"	325D	510X	335S/14	511X
3"	330D	512X	340S/14	513X
4"	335D	513X	340S/14	513X

DN	A	B
1½"	303	138
2"	308	143
2½"	373	174
3"	383	162
4"	426	177



* **Note:** The dimensions **A** and **B** represent the maximum size (mm) for the biggest recommended actuator according to each valve.