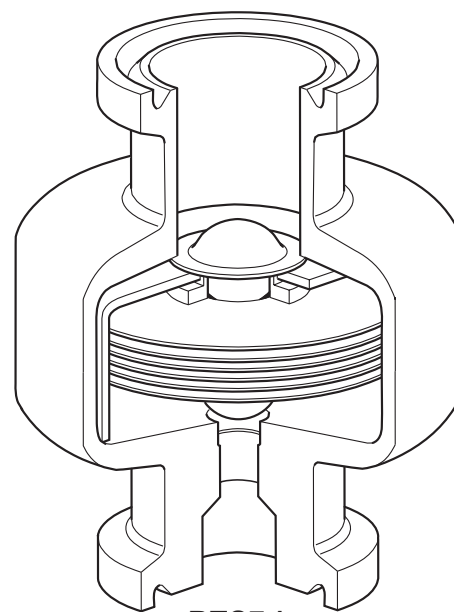




## BTS7.1

# Stainless Steel Clean Steam Trap



**BTS7.1**  
with sanitary clamp connections

### Description

The Spirax Sarco BTS7.1 is a sealed thermostatic steam trap designed to remove condensate from clean steam systems with minimal back up. Applications include sterile steam barriers, process vessels and CIP/SIP systems. Manufactured in 316L stainless steel with minimal crevices, it is self-draining and operates close to steam temperature. The BTS7.1 has an internal finish of  $0.5 \mu\text{m Ra}$  whilst the external finish is  $0.75 \mu\text{m Ra}$ . When supplied, the BTS7.1 is individually packaged within an "ISO CLASS 7" clean environment with protective end caps and sealed in a protective plastic bag.

### Options

Fixed bleed to ensure fail-open operation.

### Standards

- The BTS7.1 has been designed and built in general accordance with ASME BPE.
- The unit also complies with the requirements of the Pressure Equipment Directive (PED).

### Certification

This product is available with the following certification:

- EN 10204 3.1 material certificates (pressure containing parts)
- EN 10204 3.1 material certificates (wetted parts, including element fill) subject to additional cost.
- Typical Internal surface finish certificates.
- Specific internal surface finish certificates available at point of order request, and may be subject to additional cost.
- Certificate of compliance for FDA and ADI free.
- TSE/BSE Free Statement.
- Certificate of compliance EC1935:2004 Food Contact Materials.
- Declaration of conformity BS EN ISO 14644-1:2015 Class 7 Clean Room.

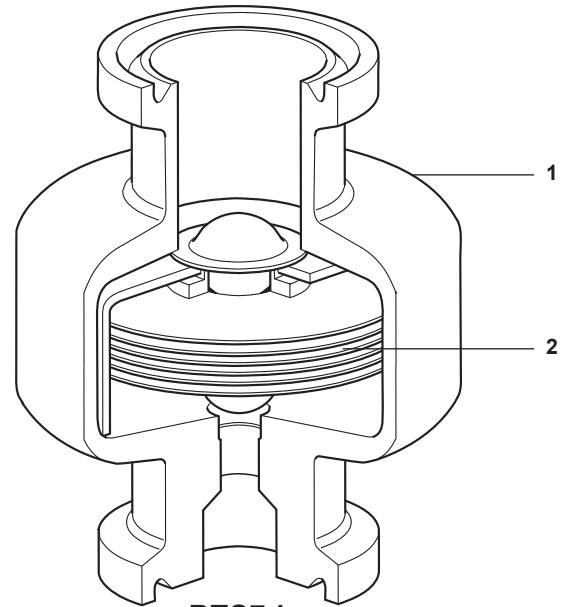
**Note:** All certification/inspection requirements must be stated at the time of order placement, and may be subject to additional cost.

## Sizes and pipe connections

½" and ¾" with sanitary clamp connections.

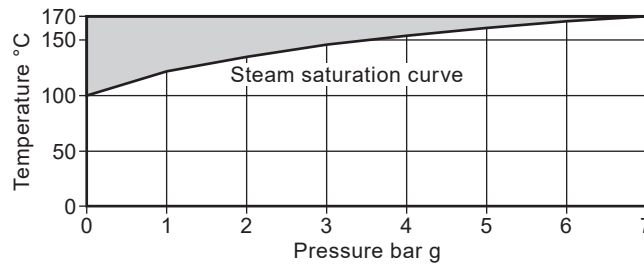
## Materials

No. Part	Material		
1	Body	Stainless steel	AISI 316L (1.4404)
2	Element	Stainless steel	AISI 316L (1.4404)



**BTS7.1**  
with sanitary clamp connections

## Pressure/temperature limits

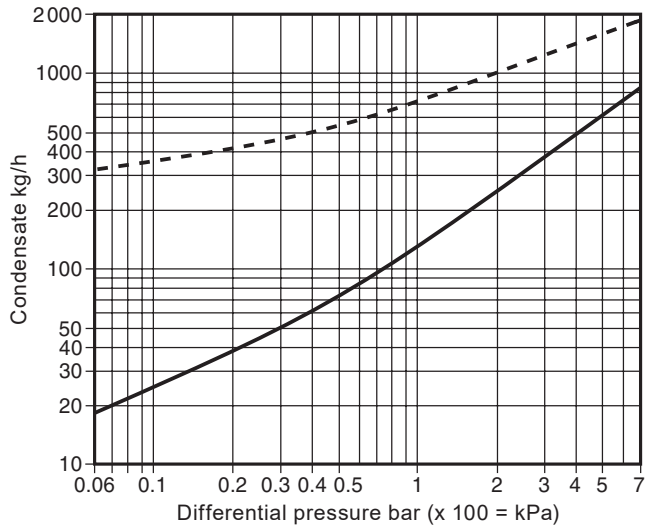


The product should not be used in this region as damage to the internals may occur.

### Body design conditions

PMA	Maximum allowable pressure	7 bar g @ 170 °C
TMA	Maximum allowable temperature	170 °C @ 7 bar g
	Minimum allowable temperature	-254 °C
PMO	Maximum operating pressure for saturated steam service	7 bar g @ 170 °C
TMO	Maximum operating temperature	170 °C @ 7 bar g
	Minimum operating temperature	0 °C
	Designed for a maximum cold hydraulic test pressure of:	10.5 bar g

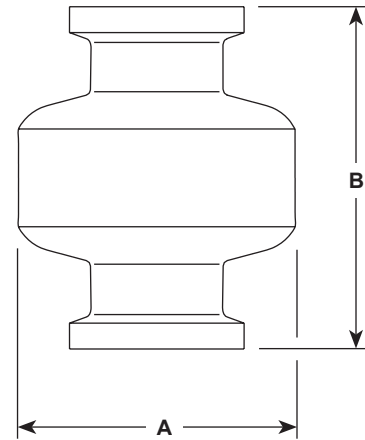
## Capacities



Cold water capacity - - - - Hot water capacity ————

## Dimensions/weights (approximate) in mm and kg

Size	A	B	Weight
1/2"	40	49	0.15 kg
3/4"	40	49	0.15 kg



## Safety information, installation and maintenance

For full details see the Installation and Maintenance Instructions (IM-P180-05) supplied with the product.

**Installation note:** The trap is designed for installation in vertical lines with the flow downward to ensure self-draining operation. Do not expose the element to superheat conditions since over-expansion may result. Suitable isolation valves must be installed to allow for safe maintenance/replacement.

## How to order example

1 off Spirax Sarco non-maintainable 3/4" BTS7.1 clean steam trap suitable for pressures up to 7 bar g with a body that is self-draining.

## Spare parts

There are no spare parts for the BTS7.1.