



BSAT and BSA Bellows Sealed Stop Valves

Description


A range of sealed, in-line stop valves having twin ply bellows as standard throughout the range. These valves have been designed for use on steam, gas, liquid, condensate and water systems.

The standard BSAT range comes complete with throttling plug and locking device.

The alternative BSA range has a flat disc.

The Tables on page 2 clearly display the available sizes, pipeline connections and available options for the standard and alternative ranges.

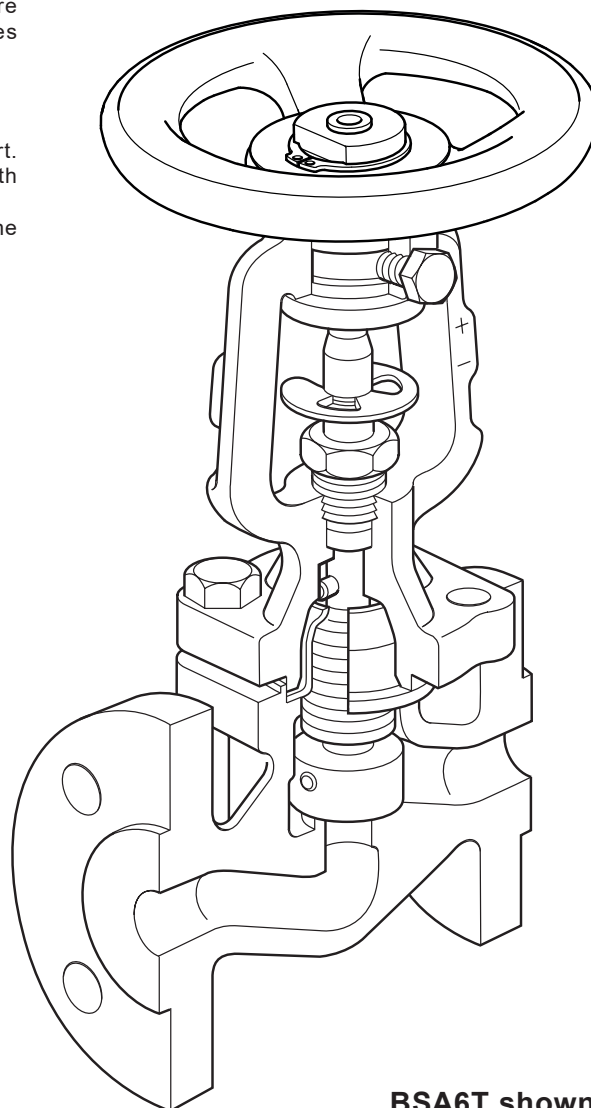
Standards

The product fully complies with the requirements of the EU Pressure Equipment Directive/UK Pressure Equipment Regulations and carries the  mark when so required.

Certification

The BSA1 and BSA1T is available with a manufacturer's Typical Test Report. The BSA2, BSA2T, BSA3, BSA3T, BSA6T and BSA64T is available with certification to EN 10204 3.1.

Note: All certification/inspection requirements must be stated at the time of order placement.



BSA6T shown

Range and options

Standard BSAT range - complete with throttling plug and locking device

Material	Cast iron		SG iron		Cast steel					Stainless steel	Stainless steel/ cast steel
Model and connections	BSA1T		BSA2T		BSA3T					BSA6T	BSA64T
	PN16	KS 10	PN16	PN25	PN25	PN40	ASME 150	ASME 300	KS 20	PN40	PN40
Sizes	DN15	•	•	•	•	•	•	•	•	•	•
	DN20	•	•	•	•	•	•	•	•	•	•
	DN25	•	•	•	•	•	•	•	•	•	•
	DN32	•	•	•	•	•	•	•	•	•	•
	DN40	•	•	•	•	•	•	•	•	•	•
	DN50	•	•	•	•	•	•	•	•	•	•
	DN65	•	•	•	•	•	•	•	•	•	•
	DN80	•	•	•	•	•	•	•	•	•	•
	DN100	•	•	•	•	•	•	•	•	•	•
	DN125	•	•	•	•	•	•	•	•	•	•
	DN150	•	•	•	•	•	•	•	•	•	•
	DN200	•	•	•	•	•	•	•	•	•	•
	DN250	•	•	•	•	•	•	•	•	•	•

Optional R-PTFE soft seat	DN15	•	•	•	•	•	•	•	•	•	•
	DN20	•	•	•	•	•	•	•	•	•	•
	DN25	•	•	•	•	•	•	•	•	•	•
	DN32	•	•	•	•	•	•	•	•	•	•
	DN40	•	•	•	•	•	•	•	•	•	•
	DN50	•	•	•	•	•	•	•	•	•	•
	DN65	•	•	•	•	•	•	•	•	•	•
	DN80	•	•	•	•	•	•	•	•	•	•
	DN100	•	•	•	•	•	•	•	•	•	•

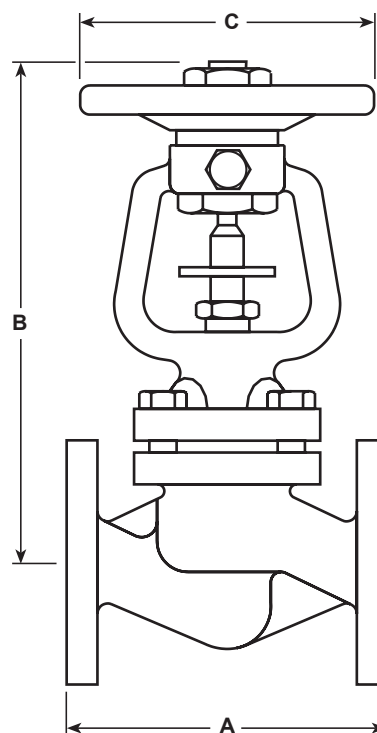
Alternative BSA range - complete with flat disc option

Material	Cast iron		SG iron		Cast steel					Stainless steel	Stainless steel/ cast steel
Model and connections	BSA1		BSA2		BSA3						
	PN16	KS 10	PN16	PN25	PN25	PN40	ASME 150	ASME 300	KS 20		
Sizes	DN125	•	•	•	•	•	•	•	•	•	•
	DN150	•	•	•	•	•	•	•	•	•	•
	DN200	•	•	•	•	•	•	•	•	•	•
	DN250	•	•	•	•	•	•	•	•	•	•
Optional balancing disc	DN125	•	•	•	•	•	•	•	•	•	•
	DN150	•	•	•	•	•	•	•	•	•	•
	DN200	•	•	•	•	•	•	•	•	•	•
	DN250	•	•	•	•	•	•	•	•	•	•

Dimensions/weights (approximate) in mm and kg

Size	A					B	C	Weight				
	PN	JIS/KS 10K	JIS/KS 20K	ASME 150	ASME 300			BSA1 BSA1T BSA2 BSA2T	BSA3 (DIN)	BSA3 (ASME) ANSI 150	BSA3 ASME 300 JIS/KS 20K	BSA6T BSA64T PN40
DN15	130	133	152	108	152	205	125	4	4	5	6	4
DN20	150	153	178	117	178	205	125	4	5	6	7	5
DN25	160	163	200	127	203	217	125	5	6	8	9	6
DN32	180	183	-	-	-	217	125	7	8	-	-	8
DN40	200	203	224	165	229	243	200	10	11	10	11	11
DN50	230	229	259	203	267	243	200	12	14	12	15	14
DN65	290	293	-	-	-	263	200	16	19	-	-	19
DN80	310	309	304	241	317	287	200	21	26	25	29	26
DN100	350	349	340	292	356	383	315	36	44	41	49	44
DN125	400	395	-	-	-	416	315	52	64	-	-	-
DN150	480	479	428	-	445	450	400	75	88	-	94	-
DN200	600	592	537	-	559	622	500	145	180	-	193	-
DN250	730	-	-	-	-	763	500	*180	-	-	-	-

*(BSA2T/BSA2 only)



Seat leakage

Disc to seat shut-off conforms to EN 12266-1 Rate A leakage.

Kv values - all options

Size	DN15 (½")	DN20 (¾")	DN25 (1")	DN32 (1¼")	DN40 (1½")	DN50 (2")	DN65 (2½")	DN80 (3")	DN100 (4")	DN125 (5")	DN150 (6")	DN200 (8")	DN250 (10")	For conversion: Cv (UK) = Kv x 0.963 Cv (US) = Kv x 1.156
Kv	4	7	12	19	30	47	77	120	193	288	410	725	1145	

Note: For Kv values and flow characteristic values of the **BSA1T**, **BSA2T** and **BSA3T** see the next section 'BSAT flow data'.

BSAT flow data

Size	BSAT valve												
	DN15	DN20	DN25	DN32	DN40	DN50	DN65	DN80	DN100	DN125	DN150	DN200	DN250
Handwheel rotations	K _v values for given handwheel rotations tested to EN 60534-2-3 Water at 20 °C												
0	0	0	0	0	0	0	0	0	0	0	0	0	0
0.5	1.2	1.2	1.4	2.2	4.4	4.1	5.6	10.4	12.0	21	28	66	110
1	1.7	1.7	2.0	3.7	5.0	5.0	7.0	11.5	14.3	23	30	81	140
1.5	2.7	2.9	2.9	5.0	5.5	6.0	9.2	13.6	24.5	26	33	97	150
2	3.6	4.0	4.6	7.9	7.6	7.2	11.6	16.3	34.1	42	46	111	165
2.5	4.4	5.3	6.4	10.6	11.0	9.7	12.4	18.5	59.6	67	65	149	190
3	5.4	6.6	8.5	13.8	14.7	14.1	13.0	21.1	86.2	94	90	199	225
4			10.6	17.0	22.6	24.4	25.2	24.5	123.0	140	152	302	330
4.5			11.2	18.3	24.4	29.4	32.5	29.0	139.0	181	177	355	451
5			11.9	19.6	27.2	37.0	43.6	39.1	164.1	185	216	403	460
6					28.9	46.2	60.2	61.0	179.0	220	264	455	600
6.5					29.1	47.0	63.0	69.0	186.0	230	288	480	641
6.7					29.3	47.2	64.3	73.0		235	293	487	656
7							65.9	78.0		241	305	495	678
8							71.2	90.0		259	337	507	738
8.5							74.6	92.0			348	522	760
9.5								99.0			369		793
10								101.6					805
10.7													827

To convert K_v to volume flowrate in m³/h:

$$\dot{Q} = K_v \times \sqrt{\Delta P}$$

Where:

\dot{Q} = Volume flow in cubic m/h

ΔP = Pressure drop in bar

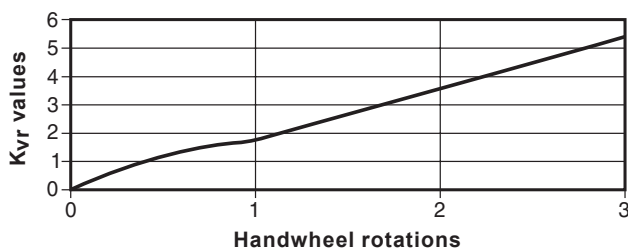
Note: The maximum recommended differential pressure in throttling function:

DN15 - DN80	2.0 bar
DN100 - DN125	1.5 bar
DN150	1.0 bar
DN200 - DN250	0.8 bar

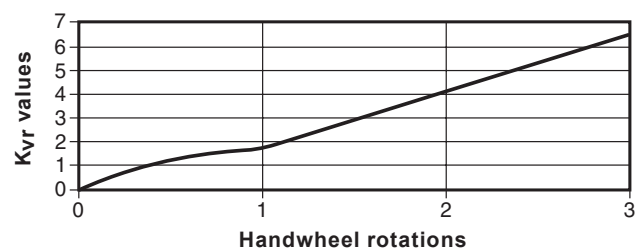
If the BSAT is used above these quoted figures, increased noise and vibration may be experienced.

The following graphs show handwheel rotation and flow characteristic with water at 20 °C:

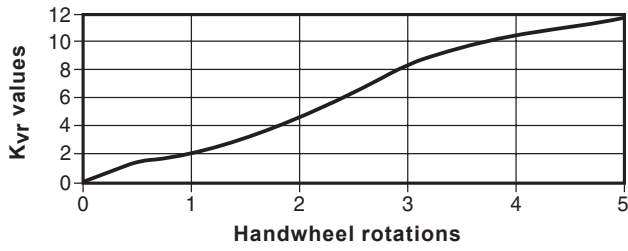
BSAT - DN15



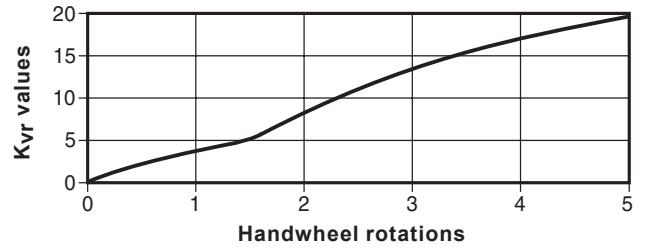
BSAT - DN20



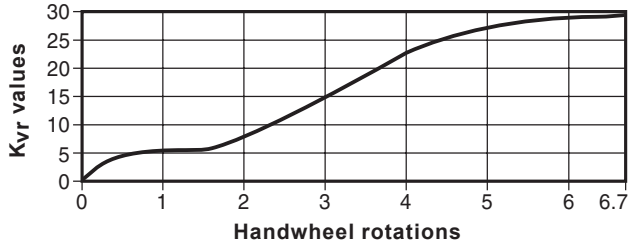
BSAT - DN25



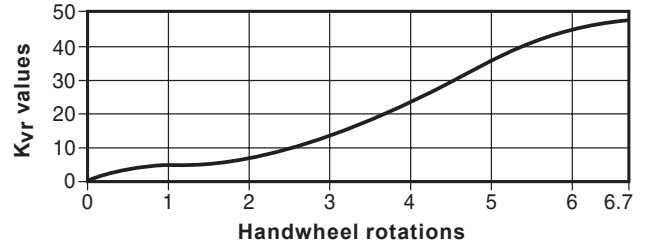
BSAT - DN32



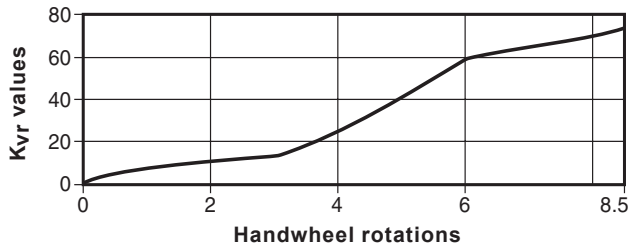
BSAT - DN40



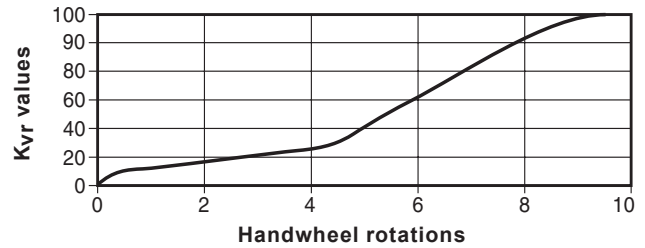
BSAT - DN50



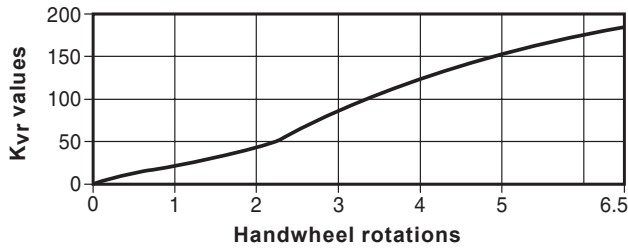
BSAT - DN65



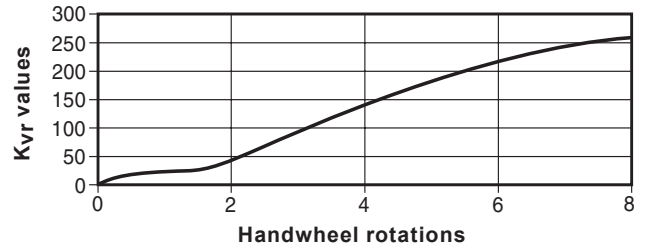
BSAT - DN80



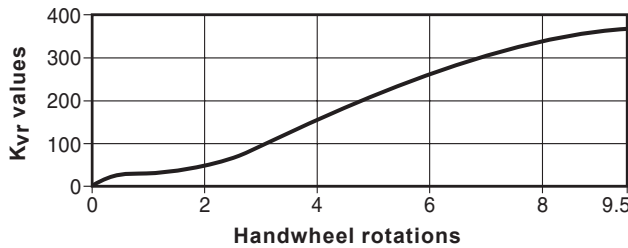
BSAT - DN100



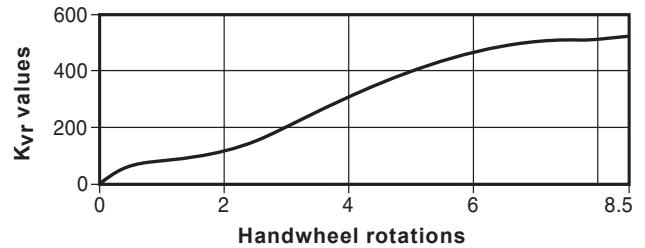
BSAT - DN125



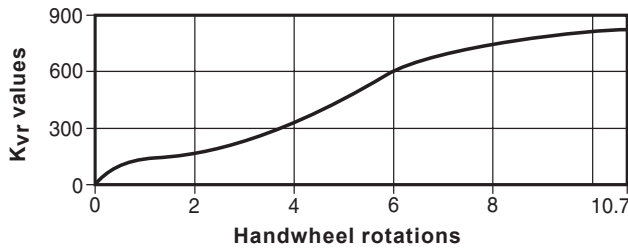
BSAT - DN150



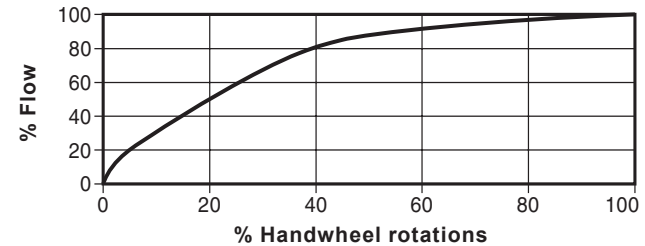
BSAT - DN200



BSAT - DN250



**Typical standard flat disc
for the BSA1, BSA2 and BSA3**



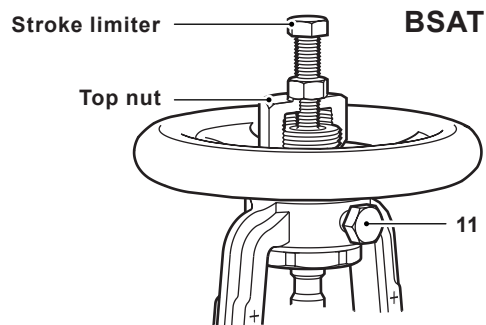
Materials for the BSA1T, BSA2T, BSA3T and BSA1, BSA2, BSA3

No. Part		BSA1T and BSA1	BSA2T and BSA2	BSA3T and BSA3	
				DIN	ANSI
1	Body	Cast iron EN-GJL-250 (5.1301)	SG iron EN-GJS-400-18-LT (5.3103)	Cast steel 1.0619+N (GSC 25N)	Cast steel ASTM A 216 WCB
2	Bonnet	SG iron EN-GJS-400-18-LT (5.3103)		Steel (DN15 - DN80) DIN 17243 C 22.8	Forged steel (DN15- DN80) ASTM A 105
				Steel (DN100 - DN200) 1.0619+N (GSC 25N)	Cast steel (DN100- DN200) ASTM A 216 WCB
3	Seat	Stainless steel AISI 420			
4	Metal	Stainless steel DIN 17440 X30 Cr13			
	Soft seat	Disc	Stainless steel DIN 17440 X30 Cr13		
		Insert	R-PTFE 25% carbon filled		
5	Bellows	Stainless steel WS 1.4571 EN10028-7 X6 CrNiMTi 17-12-2			
6	Stem	Stainless steel AISI 420			
7	Handwheel	Pressed steel BS 1449 CR4			
8	Stem packing	Graphite			
9	Bonnet studs		Steel DIN 17420 24 Cr Mo 5	Steel ASTM A 193 B7	
	Bonnet nuts		Steel DIN 17420 Ck 35	Steel ASTM A 192 2 H	
	Bonnet bolts	Steel DIN 931 Gr. 5.6			
10	Body/bonnet gasket	Graphite laminated with stainless steel insert			
11	Locking screw	DN15 - DN80	Steel M8 x 14 mm BS 3692 Gr. 8.8		
		DN100 - DN150	Steel M8 x 20 mm BS 3692 Gr. 8.8		
		DN200 - DN250	Steel M12 x 20 mm BS 3692 Gr. 8.8		
12	'D' washer	Mild steel			
13	Circlip	Mild steel			
14	Protective cap	Plastic			
15	Top nut	Steel			

Stroke limiter for throttling versions

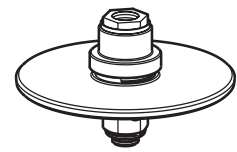
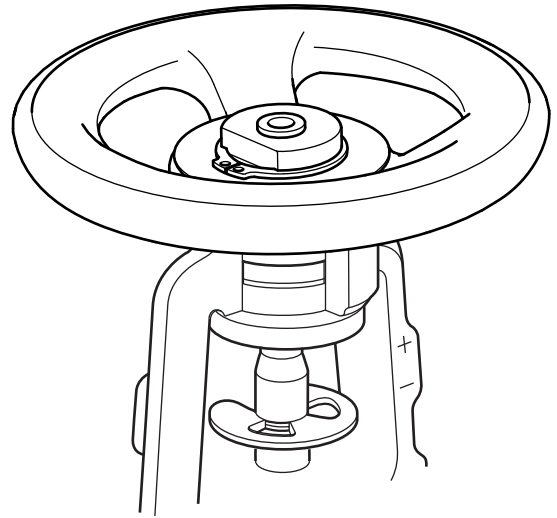
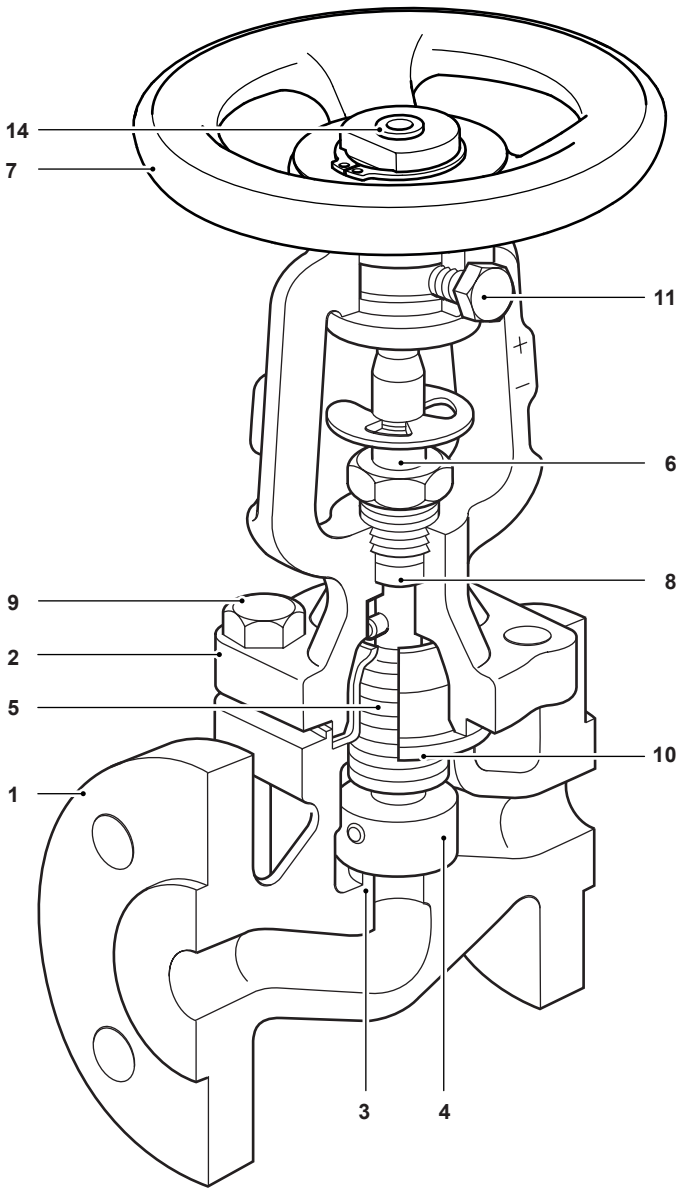
The handwheel nut on the **BSA1T, BSA2T and BSA3T** has a threaded hole for provision of a stroke limiter. Customer to supply standard nuts and bolts as indicated in the table below.

Size	Hexagon bolt
DN15- DN80	M8 x 50 mm
DN100- DN150	M12 x 75 mm
DN200- DN250	M12 x 100 mm



BSAT

BSA



DN150 shown

Optional balancing disc assembly

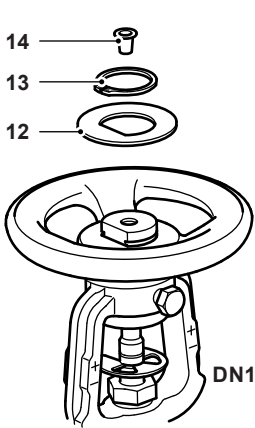
	25 bar ΔP	DN125	
Used above	17 bar ΔP	DN150	6"
	10 bar ΔP	DN200	8"
	6 bar ΔP	DN250	(BSA2 only)



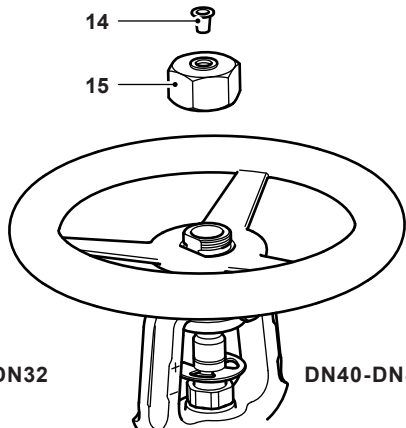
Optional soft sealing disc

Across the size range there are three hand wheel retention methods

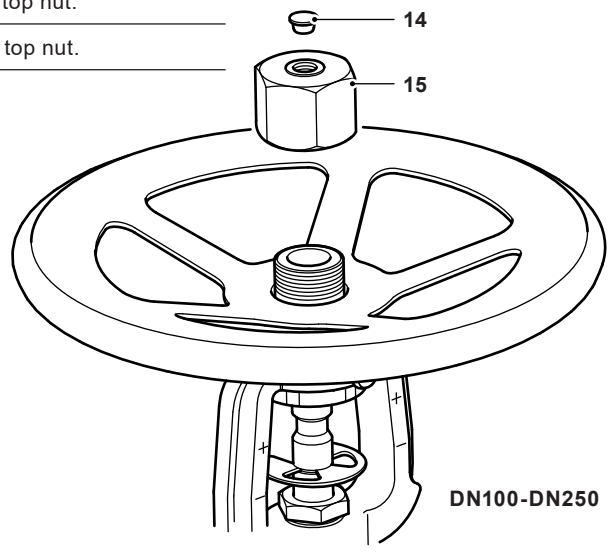
- DN15 - DN32** have a 'D' drive hand wheel retained by a 'D' washer and circlip.
- DN40 - DN80** have a 'D' drive hand wheel retained by a top nut.
- DN100 - DN250** have a screwed hand wheel retained by a top nut.



DN15-DN32



DN40-DN80



DN100-DN250

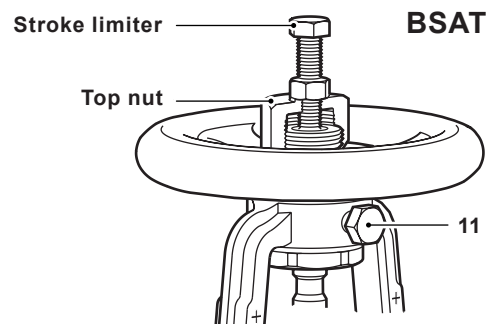
Materials for the BSA6T and BSA64T

No.	Part	BSA6T	BSA64T
1	Body	Stainless steel EN 10213 1.4408 or ASTM A351 CF8M	Stainless steel EN 10213 1.4408 or ASTM A351 CF8M
2	Bonnet	Stainless steel EN 10213 1.4581	Carbon steel DN15 - DN80 DIN 117243 C22.8 Carbon steel DN100 10619+N (GSC 25N)
3	Seat	Stainless steel EN 10213 1.4408 or ASTM A351 CF8M	
4	Disc	DN15 - DN40	Stainless steel EN 10088 1.4571
		DN50 - DN100	Stainless steel EN 100222 1.4571
5	Bellows	Stainless steel DIN 17440 1.4571	
6	Stem	Stainless steel EN 10088 1.4571	
7	Handwheel	Pressed steel BS 1449 CR4	
8	Stem packing	Graphite	
9	Bonnet studs	Stainless steel A4-70	
	Bonnet nuts	Stainless steel A4	
10	Body/bonnet gasket	Graphite laminated with stainless steel insert	
11	Locking screw	DN15 - DN80	Steel M8 x 14 mm A2-70
		DN100	Steel M8 x 20 mm A2-70

Stroke limiter for throttling versions

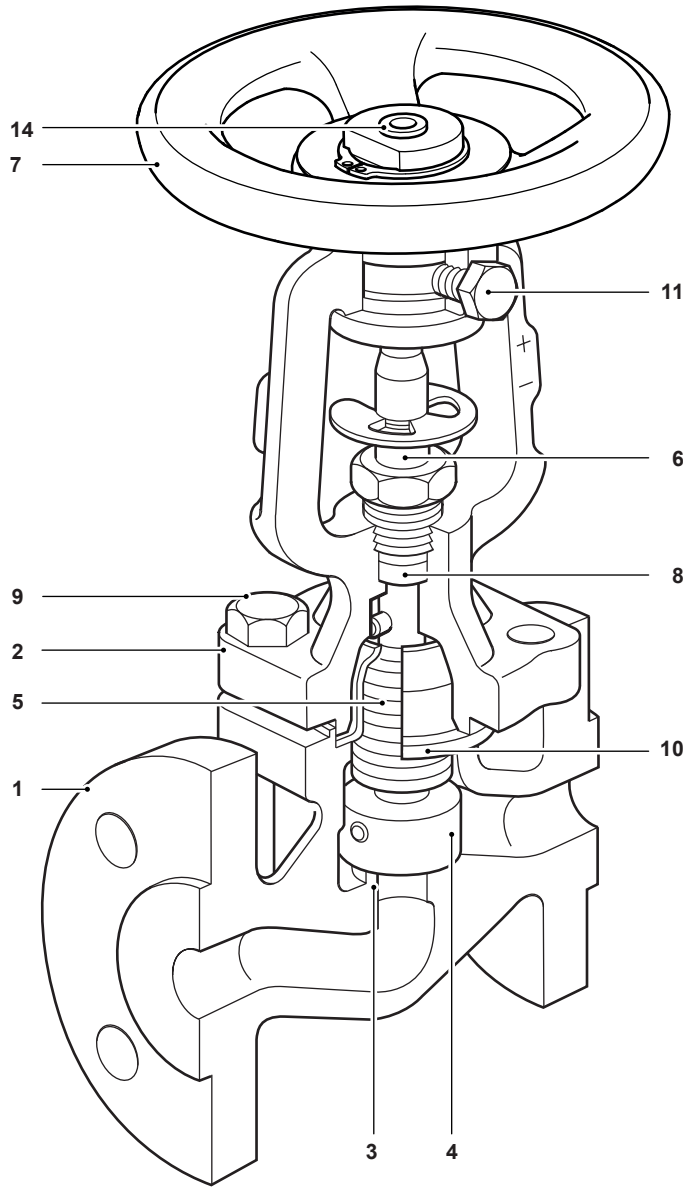
The handwheel nut on the **BSA6T** and **BSA64T** has a threaded hole for provision of a stroke limiter. Customer to supply standard nuts and bolts as indicated in the table below.

Size	Hexagon bolt
DN15- DN80	M8 x 50 mm
DN100	M12 x 75 mm



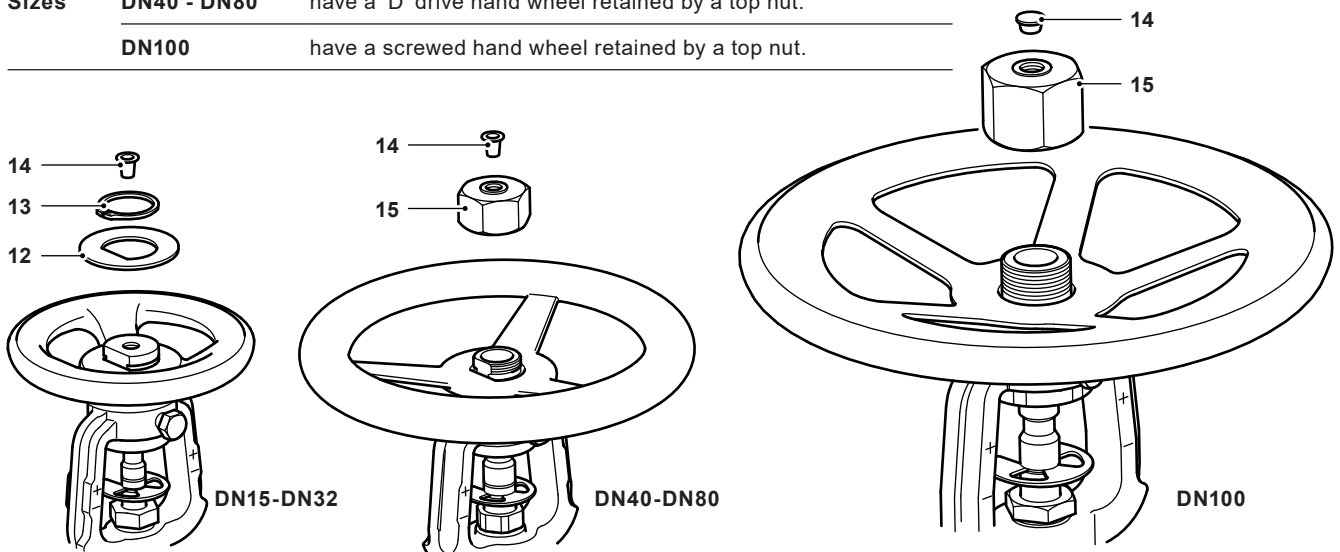
BSAT

DN15-DN32 shown



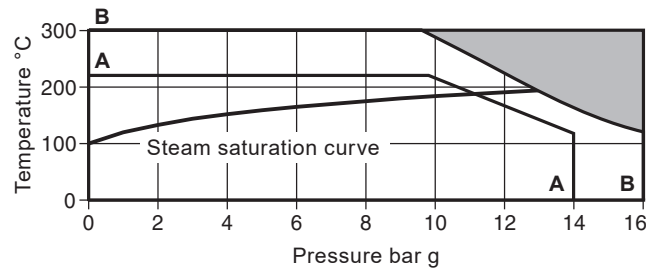
Across the size range there are three hand wheel retention methods

DN15 - DN32	have a 'D' drive hand wheel retained by a 'D' washer and circlip.
DN40 - DN80	have a 'D' drive hand wheel retained by a top nut.
DN100	have a screwed hand wheel retained by a top nut.



Product limitations

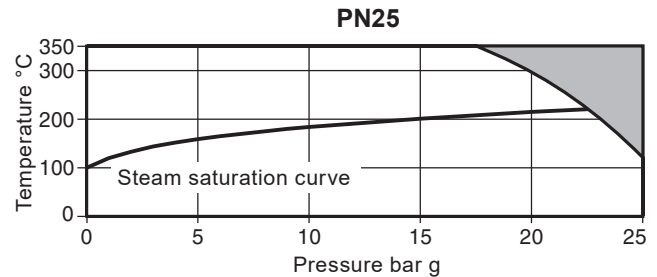
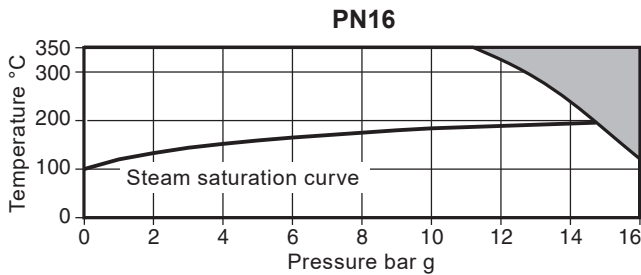
BSA1T and BSA1



A - A Flanged JIS/KS 10K
B - B Flanged PN16

Body design conditions		PN16	JIS/KS 10K
PMA	Maximum allowable pressure	16 bar g	14 bar g
TMA	Maximum allowable temperature	300 °C	220 °C
PMO	Maximum operating pressure for saturated steam service	12.9 bar g	11 bar g
TMO	Maximum operating temperature		
	Soft seat	230 °C	220 °C
	Metal seat	300 °C	220 °C
Minimum operating temperature		-10 °C	-10 °C
Designed for a maximum cold hydraulic test pressure of:		24 bar g	20 bar g

BSA2T and BSA2



Body design conditions		PN16	PN25
PMA	Maximum allowable pressure	16 bar g	25 bar g
TMA	Maximum allowable temperature	350 °C	350 °C
PMO	Maximum operating pressure for saturated steam service	14.7 bar g	22.3 bar g
TMO	Maximum operating temperature		
	Soft seat	230 °C	230 °C
	Metal seat	350 °C	350 °C
Minimum operating temperature		-10 °C	-10 °C
Designed for a maximum cold hydraulic test pressure of:		24 bar g	38 bar g

Key

 The product **must not** be used in this region.

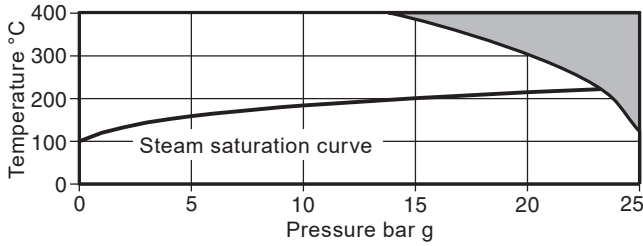
Note: Δ PMX Maximum differential pressure is limited to the PMO.

Maximum permissible differential pressure in throttling function:

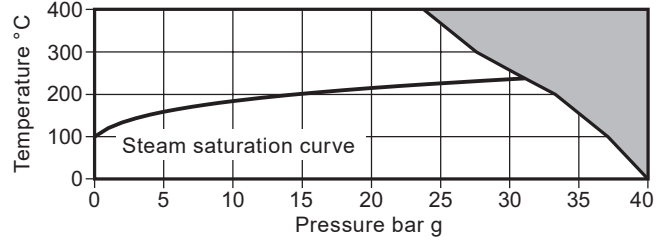
DN15 - DN80	2.0 bar
DN100 - DN125	1.5 bar
DN150	1.0 bar
DN200 - DN250	0.8 bar

BSA3T and BSA3 (DIN)

PN25, DN200



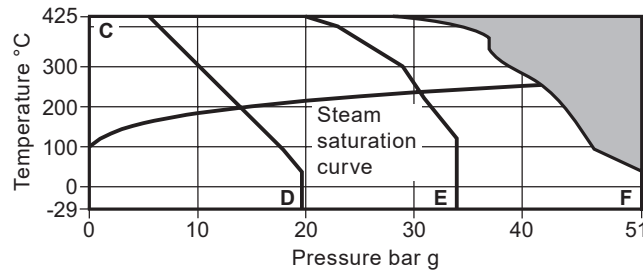
PN40, DN15 - DN150



Body design conditions		PN25, DN200	PN40, DN15 - DN150
PMA	Maximum allowable pressure	25 bar g	40 bar g
TMA	Maximum allowable temperature	400 °C	400 °C
PMO	Maximum operating pressure for saturated steam service	23.2 bar g	* 30.4 bar g
TMO	Maximum operating temperature	Soft seat	230 °C
		Metal seat	400 °C
Minimum operating temperature		-10 °C	-10 °C
Designed for a maximum cold hydraulic test pressure of:		38 bar g	60 bar g

* Maximum operating pressure is limited to 27 bar g for the soft seat version only

BSA3T and BSA3 (ASME)



C - D Flanged ASME 150
C - E Flanged JIS/KS 20K
C - F Flanged ASME 300

Body design conditions		ASME 150	ASME 300	JIS/KS 20K
PMA	Maximum allowable pressure	19.6 bar g	51 bar g	34 bar g
TMA	Maximum allowable temperature	425 °C	425 °C	425 °C
PMO	Maximum operating pressure for saturated steam service	14 bar g	*41.6 bar g	*30.7 bar g
TMO	Maximum operating temperature	Soft seat	230 °C	230 °C
		Metal seat	425 °C	425 °C
Minimum operating temperature		-29 °C	-29 °C	0 °C
Designed for a maximum cold hydraulic test pressure of:		31 bar g	77 bar g	50 bar g

* Maximum operating pressure is limited to 27 bar g for the soft seat version only

Key

The product **must not** be used in this region.

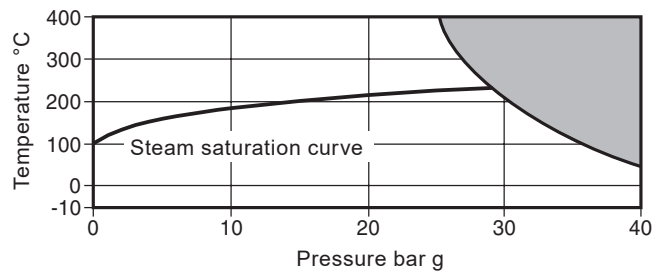
Note: Δ PMX Maximum differential pressure is limited to the PMO.

Maximum permissible differential pressure in throttling function:

DN15 - DN80	2.0 bar
DN100 - DN125	1.5 bar
DN150	1.0 bar
DN200	0.8 bar

Product limitations

BSA6T and BSA64



Body design conditions		PN40
PMA	Maximum allowable pressure	40 bar g @ 50 °C
TMA	Maximum allowable temperature	400 °C @ 25 bar g
Minimum allowable temperature		-10 °C
PMO	Maximum operating pressure for saturated steam service	Metal seat 29.8 bar g @ 236 °C
		Soft seat 27.0 bar g @ 230 °C
TMO	Maximum operating temperature	Metal seat 400 °C @ 25.6 bar g
		Soft seat 230 °C @ 27.0 bar g
Minimum operating temperature		-10 °C
		On/off function Limited to the PMO
ΔPMX	Maximum differential pressure	DN15 - DN80 2 bar
		DN100 1.5 bar
Designed for a maximum cold hydraulic test pressure of:		60 bar g

Key

 The product **must not** be used in this region.

Note: ΔPMX Maximum differential pressure is limited to the PMO.

Maximum permissible differential pressure in throttling function:

DN15 - DN80	2.0 bar
DN100	1.5 bar

Safety information, installation and maintenance

For full details see the Installation and Maintenance Instructions (IM-P137-02) supplied with the product.

Installation note

Install in the direction of flow given by the arrow on the body with the handwheel in a suitable position.

Disposal

These products are recyclable. No ecological hazard is anticipated with the disposal of these products, providing due care is taken.

How to order

Example: 1 off DN25 Spirax Sarco type BSA2T bellows sealed stop valve, flanged PN16 or PN25.

Note: Should the differential pressure exceed those listed against the respective sizes in the table below, then please ensure balancing discs are specified for use in the valves (see page 7).

Size	DN125	DN150	DN200	DN250
Differential pressure (bar)	25	17	10	6

Spare parts

The spare parts are shown in heavy outline. Parts drawn in a grey line are not supplied as spares.

Available spares

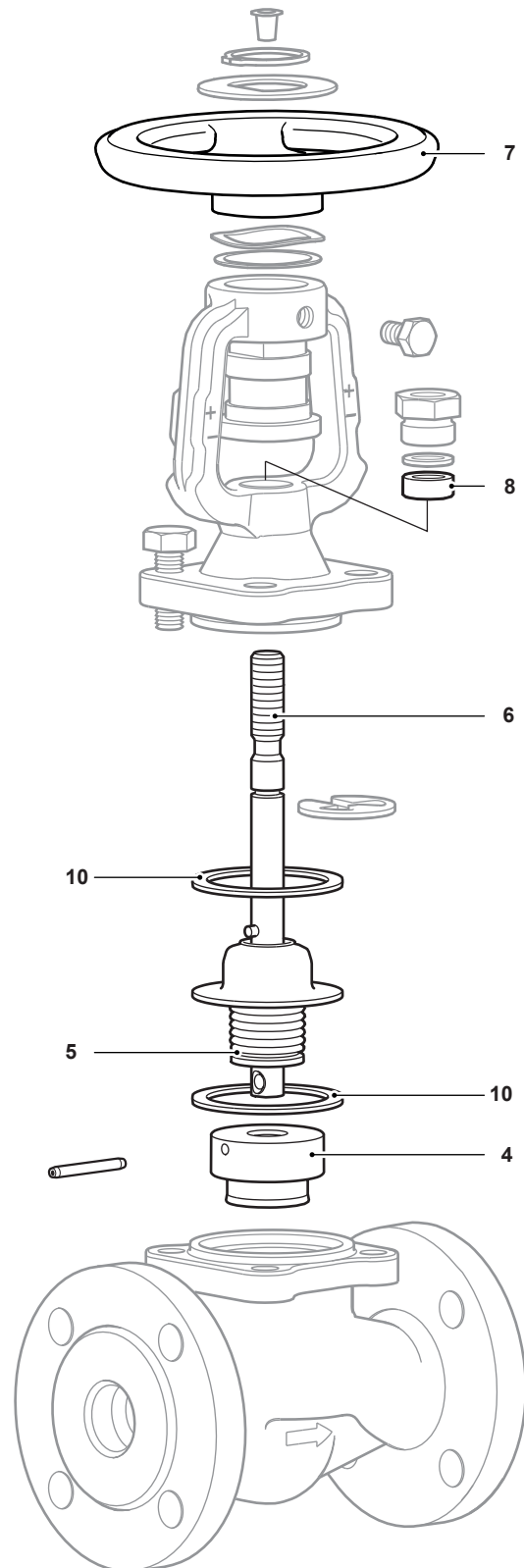
Body/bonnet gasket and stem packing	10, 8 (2 off)
Stem and bellows assembly (state if BSAT or BSA)	5, 6, 8, 10
Disc (and optional disc where fitted) - state full description of the valve	4, 8, 10
Handwheel	7

How to order spares

Please note: for customer convenience spares are supplied in kits to ensure all the appropriate replacement parts are supplied to carry out a specific maintenance task. e.g. when a stem/bellows assembly is ordered, parts (10), (8) and (6, 5) will be included in the kit.

Always order spares by using the description given in 'Available spares' and state the size and type of stop valve.

Example: 1 - Body/bonnet gasket and stem packing for a DN15 Spirax Sarco BSA2T PN16 bellows sealed stop valve.



DN15-DN32 shown