



TI-P610-10  
 ST Issue 7

## BRoil Compressed Air Drain Trap

### Description

The BRoil is a maintainable thermodynamic type compressed air drain trap, specifically designed to remove small quantities of oil contaminated condensate, for use on railway rolling stock.

### Standards

This product fully complies with the requirements of the European Pressure Equipment Directive 97/23/EC.

### Certification

This product is available with certification to EN 10204 3.1.

**Note:** All certification/inspection requirements must be stated at the time of order placement.

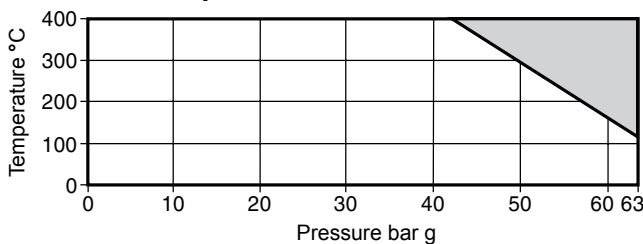
### Sizes and pipe connections

½" screwed BSP or NPT.

### Optional extras

The silencer, complete with elbow and reducer is available as an optional extra.

### Pressure / temperature limits

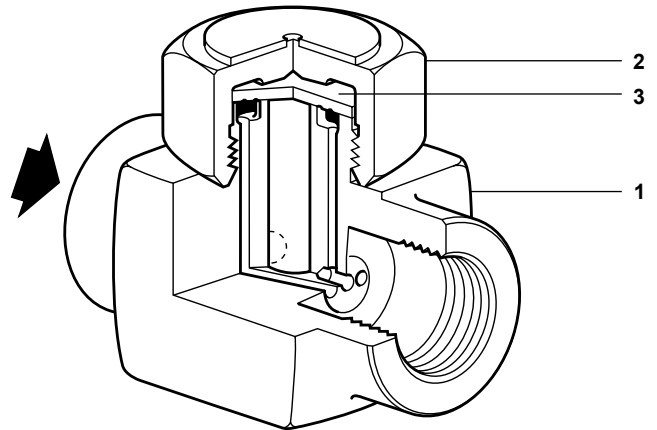


The product **must not** be used in this region.

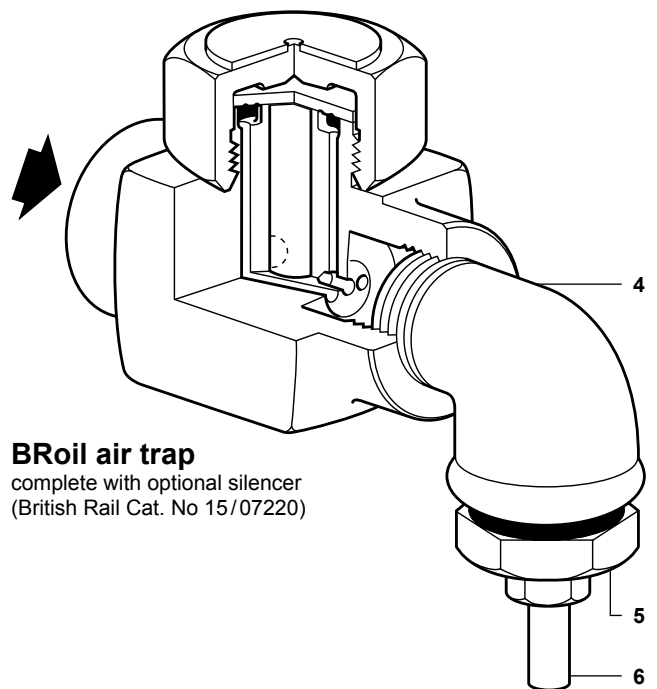
Body design conditions	PN63
PMA Maximum allowable pressure	63 bar g
TMA Maximum allowable temperature	400°C
Minimum allowable temperature	0°C
PMO Maximum operating pressure	63 bar g
TMO Maximum operating temperature	400°C
Minimum operating temperature	0°C
PMOB	Maximum backpressure should not exceed 80% of the inlet pressure under any conditions of operation otherwise the trap may not shut-off.
ΔPMN	Minimum operating differential pressure for satisfactory operation 0.25 bar
Designed for a maximum cold hydraulic test pressure of 95 bar g	

### K<sub>v</sub> values

Size	½"
K <sub>v</sub>	0.25
For conversion:	C <sub>v</sub> (UK) = K <sub>v</sub> x 0.963      C <sub>v</sub> (US) = K <sub>v</sub> x 1.156



**BRoil air trap**



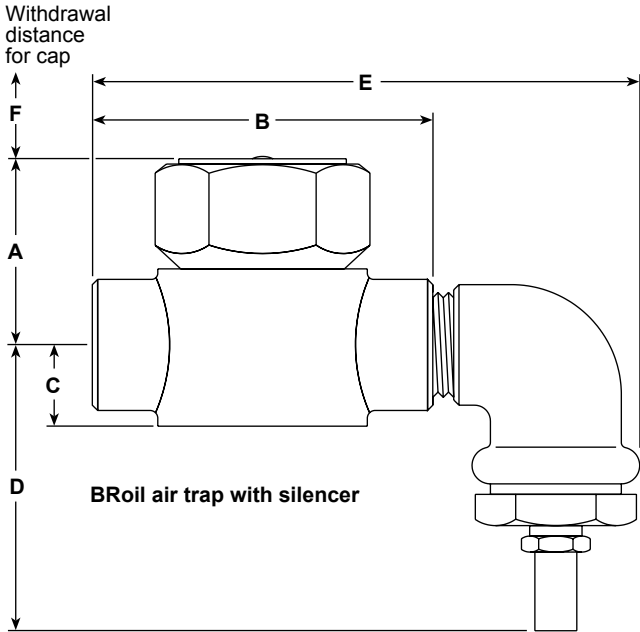
**BRoil air trap**  
 complete with optional silencer  
 (British Rail Cat. No 15/07220)

### Materials

No.	Part	Material	
1	Body	Stainless steel	AISI 420 F
2	Cap	Stainless steel	AISI 416
3	Disc	Stainless steel	BS 1449 420 S45
4	Elbow	Malleable iron	Part nos. 4, 5 and 6 are optional extras
5	Reducer and gasket	Brass	
6	Silencer	Brass	

**Dimensions/weights (approximate) in mm and kg**

Size	A	B	C	D	E	F	Weight	
							(without silencer)	(silencer included)
1/2"	38	65	15	56	109	40	0.47	0.63



**Spare parts**

The spare parts available are shown in heavy outline. Parts drawn in broken line are not supplied as spares.

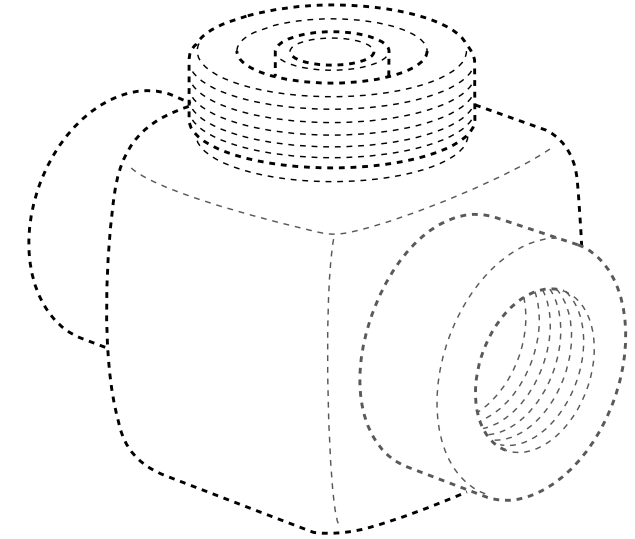
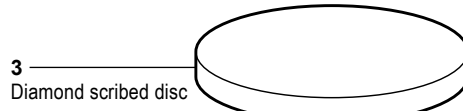
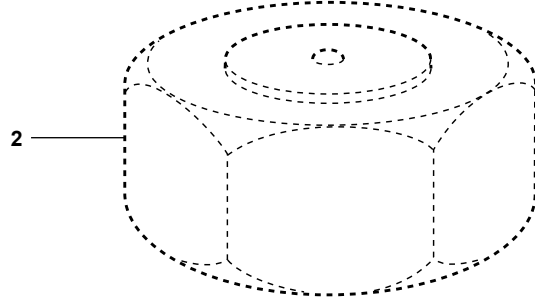
**Available spares**

Disc (packet of 3)	<b>3</b>
--------------------	----------

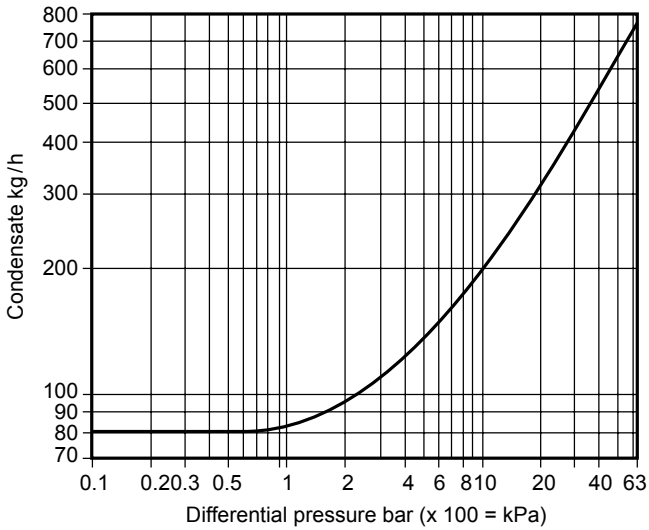
**How to order spares**

Always order spares by using the description given in the column headed 'Available spares' and state the size and type of trap.

**Example:** 1 - Packet of 3 discs for a Spirax Sarco 1/2" BRoil compressed air drain trap screwed BSP.



**Capacities**



**Safety information, installation and maintenance**

For full details see the Installation and Maintenance Instructions (IM-S48-06) supplied with the product.

**Installation note:**

The trap is designed to be installed horizontally. Check the flow direction arrow for the correct orientation.

**Disposal**

The product is recyclable no ecological hazard is anticipated with the disposal of this product, providing due care is taken.

**How to order**

**Example:** 1 off Spirax Sarco 1/2" BRoil compressed air drain trap screwed BSP complete with optional elbow and silencer.

**Recommended tightening torques**

Item	A/F mm	N m
2	36	135 - 150
5	24	30 - 40
6	11	5 - 8