



BPT13

Brass

Balanced Pressure Thermostatic Steam Trap

Description

The BPT13 is a readily maintainable brass bodied, balanced pressure thermostatic steam trap. The standard trap is designated BPT13A and has angled connections.

Available types

BPT13A	Angled connections (standard trap)
BPT13AX	Angled connections with strainer screen
BPT13S	Straight connections
BPT13SX	Straight connections with strainer screen
BPT13UA	Angled connections, union inlet
BPT13UAX	Angled connections, union inlet with strainer screen
BPT13US	Straight connections, union inlet
BPT13USX	Straight connections, union inlet with strainer screen

Capsule fill and operation - When placing an order always state the capsule fill:

Standard capsule - Is marked with 'STD' for operation at approximately 12 °C below steam saturation temperature.

Optionally - The capsule can be supplied for sub-cooled 'SUB' operation at approximately 24 °C below steam saturation temperature. For critical applications the 'NTS' fill capsule should be selected which operates at approximately 4 °C below steam saturation temperature.

Standards

This product fully complies with the requirements of the European Pressure Equipment Directive 2014/68/EU.

Certification

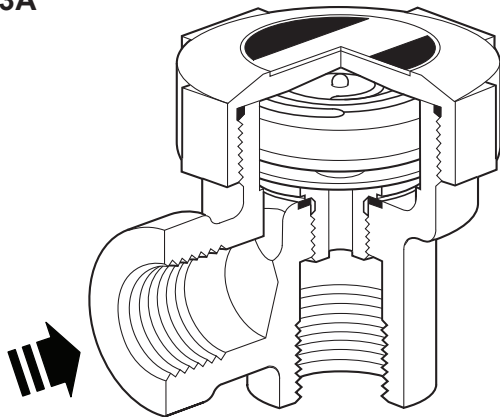
This product is available with a manufacturers' Typical Test Report.

Note: All certification/inspection requirements must be stated at the time of order placement.

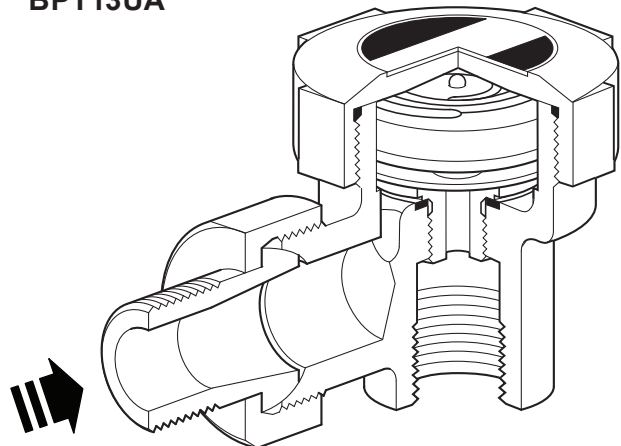
Sizes and pipe connections

3/8", 1/2" and 3/4" screwed BSP T Rp (ISO 7-1) or NPT.

BPT13A

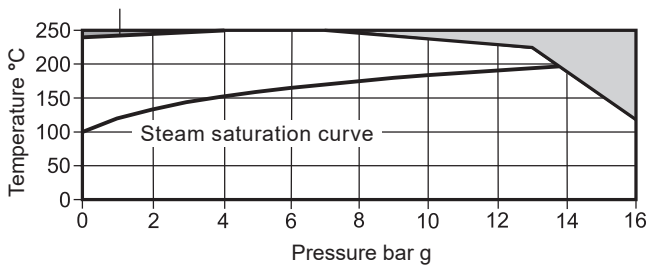


BPT13UA



Pressure / temperature limits (ISO 6552)

The product should not be used in this region or beyond its operating range as damage to the internals may occur.

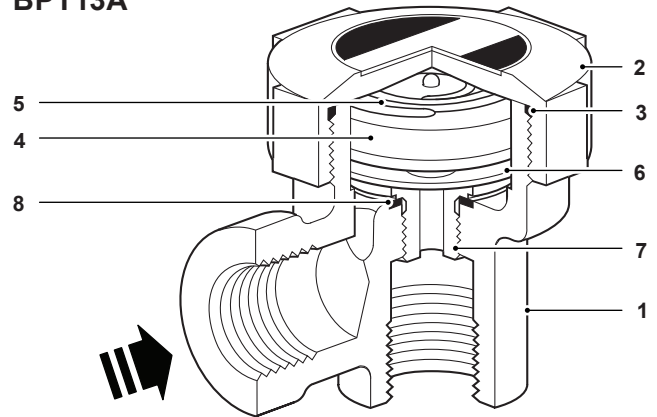


The product **must not** be used in this region.

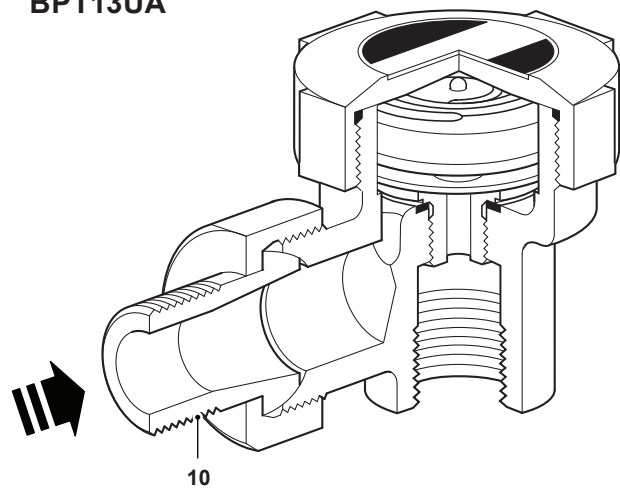
Body design conditions	PN16	
PMA	Maximum allowable pressure	16 bar g @ 120 °C
TMA	Maximum allowable temperature	250 °C @ 7 bar g
	Minimum allowable temperature	-20 °C
PMO	Maximum operating pressure	13 bar g @ 220 °C
TMO	Maximum operating temperature	250 °C @ 7 bar g
	Minimum operating temperature	0 °C
Designed for a maximum cold hydraulic test pressure of 24 bar g		

Materials

BPT13A



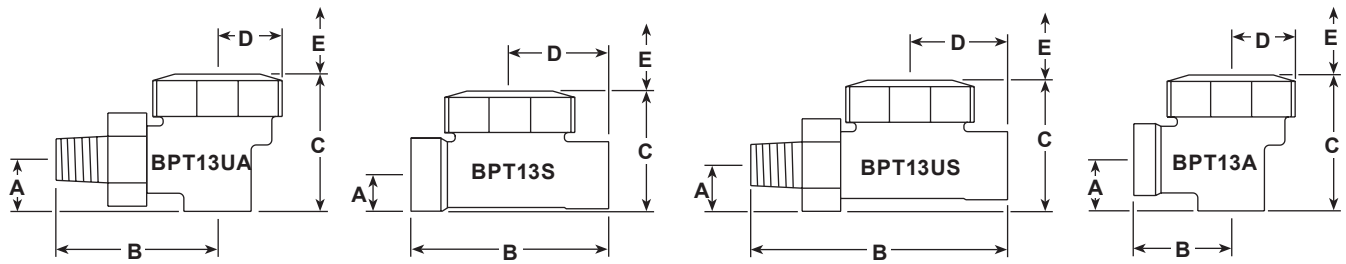
BPT13UA



No.	Part	Material	
1	Body	Brass	BS EN 12165 CW 617N
2	Cap	Brass	BS EN 12165 CW 617N
3	'O' ring	Synthetic rubber high fluorine fluorocarbon	
4	Capsule	Stainless steel	
5	Spring	Stainless steel	BS 2056 302 S26
6	Spacer plate	Stainless steel	BS 1449 304 S16
7	Valve seat	Stainless steel	BS 970 431 S29
8	Valve seat gasket	Stainless steel	BS 1449 304 S11
9 *	Strainer screen	Stainless steel	ASTM A240 316L
10	Union nut and tailpiece	Brass	BS EN 12165 CW 617N

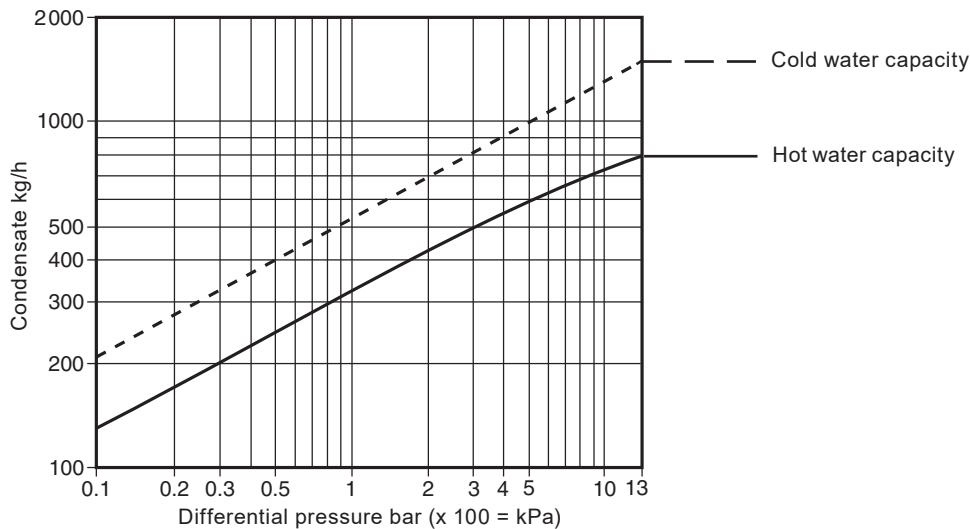
* Note: Item 9 is shown clearly on the next page

Dimensions/weights (approximate) in mm and kg



Type	Size	A	B	C	D	E	Weight
BPT13A	½"	20	38	53	25	55	0.40
	¾"	27	40	62	25	55	0.45
BPT13S	½"	14	76	47	38	55	0.45
	¾"	20	80	53	40	55	0.50
BPT13UA	½"	20	67	53	25	55	0.50
	¾"	27	75	62	25	55	0.55
BPT13US	½"	19	105	52	38	55	0.55
	¾"	22	115	57	40	55	0.60

Capacities



Safety information, installation and maintenance

For full details see the Installation and Maintenance Instructions (IM-P122-02) which is supplied with the product.

Installation note:

The trap is designed for installation with the capsule in a horizontal plane with the cap at the top, preferably with a drop leg immediately preceding the trap.

Disposal

This product is recyclable. No ecological hazard is anticipated with the disposal of this product provided due care is taken. However, if the recycling process involves a temperature approaching 315 °C, caution is advised regarding decomposition of the fluorocarbon rubber component.

How to order

Example: 1 off Spirax Sarco ½" BPT13AX balanced pressure thermostatic steam trap with screwed BSP connections. Brass body with internal strainer screen and 'STD' fill capsule for operation approximately 12 °C below steam saturation temperature.

Spare parts

The spare parts available are shown in solid outline. Parts drawn in a grey line are not supplied as spares.

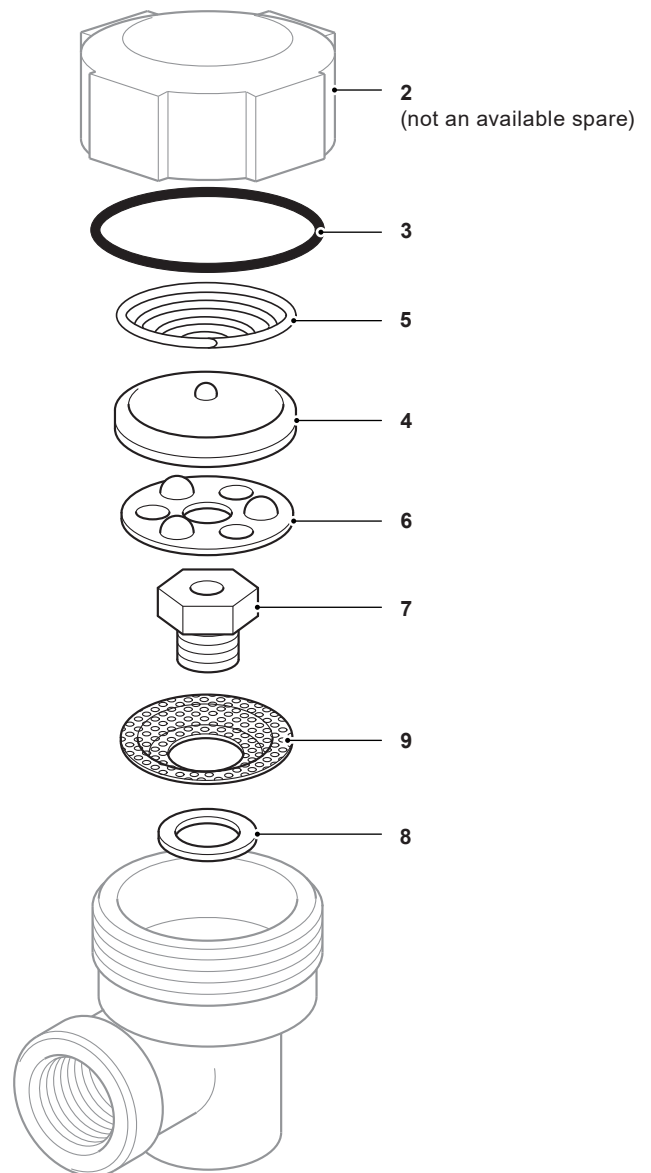
Available spares

Maintenance kit		3, 4, 5, 6, 7, 8, 9
Cap gasket	Earlier models (packet of 3)	3
Note: Earlier models were fitted with conventional gaskets. Current models are fitted with an 'O' ring to seal the cap.	Current models (packet of 3 'O' rings)	3
Screen	(packet of 3)	3, 9



How to order spares

Always order spares by using the description given in the column headed 'Available spares' and state the size, model number and capsule reference.

Example: 1 - Capsule and seat assembly for a Spirax Sarco ½" BPT13S balanced pressure thermostatic steam trap with screwed BSP connections. Brass body with internal strainer screen and 'STD' fill capsule for operation approximately 12 °C below steam saturation temperature.



Recommended tightening torques

Item	Part	 or 	mm	N m
2	'O' ring		50 A/F	50 - 60
	Gasket		50 A/F	90 - 110
7	Seat		17 A/F	35 - 40