



Cert. No. LRQ 0963008

ISO 9001

## BM, BMRA, BMF and BMFRA Self-acting Control Valves

### Description and available types

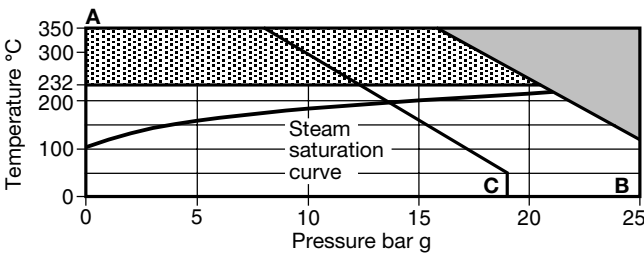
<b>BM</b>	Cast steel, normally open, single seat with 4 orifice sizes: <b>BM2, BM3, BM4 and BM6.</b>
<b>BMRA</b>	Cast steel, normally closed, single seat.
<b>BMF</b>	Cast iron, normally open, single seat with 4 orifice sizes: <b>BMF2, BMF3, BMF4 and BMF6.</b>
<b>BMFRA</b>	Cast iron, normally closed, single seat.

### Sizes and pipe connections

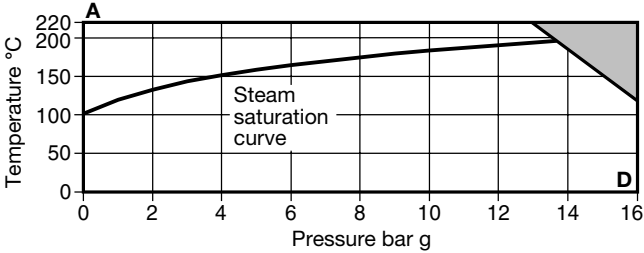
<b>BM and BMRA</b>	DN15 standard flange:	EN 1092 PN25 and ANSI 300
Note: ANSI 150 connections are available to special order for both BM and BMRA self-acting control valves.		
<b>BMF and BMFRA</b>	DN15 standard flange:	EN 1092 PN16

### Pressure / temperature limits

#### BM and BMRA



#### BMF and BMFRA

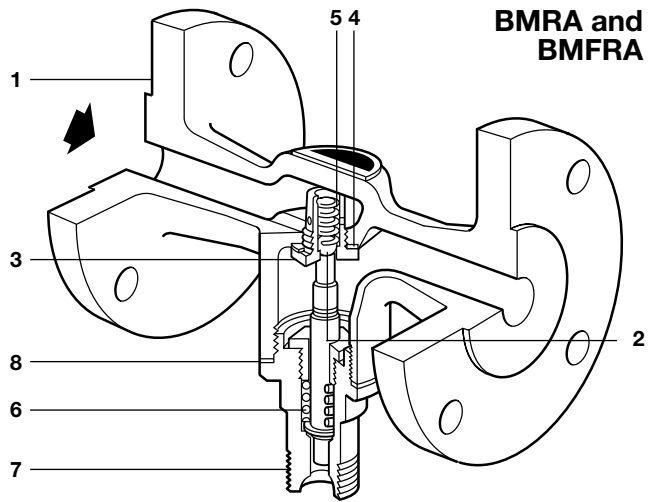
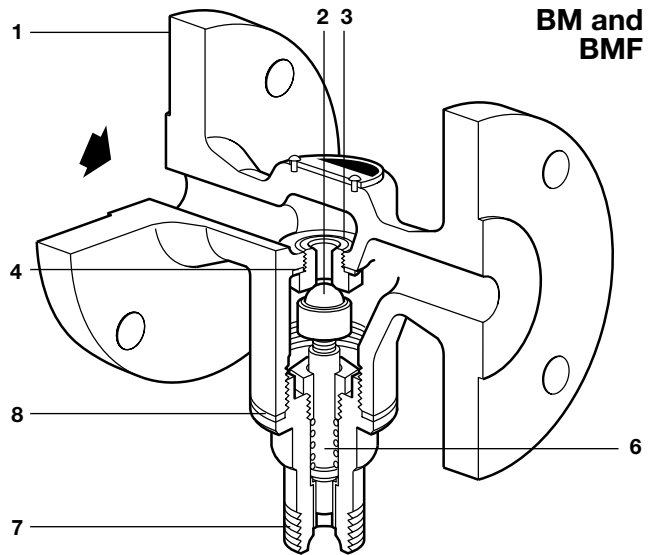


The product **must not** be used in this region.

When the valve is operated with a self-acting temperature control system in this region a Spirax Sarco spacer must be used in conjunction with the system.

- A - B** Flanged EN 1092 PN25 and ANSI 300
- A - C** Flanged ANSI 150
- A - D** Flanged EN 1092 PN16

Body design conditions	BM and BMRA	PN25
	BMF and BMFRA	PN16
Maximum design temperature	BM and BMRA	Fitted to a Spirax Sarco spacer 350°C Fitted directly to the actuator 232°C
	BMF and BMFRA	220°C
Maximum differential pressure	BM	17.2 bar
	BMRA	10.3 bar
	BMF	16.0 bar
	BMFRA	10.3 bar
Designed for a maximum cold hydraulic test pressure of:	BM and BMRA	38 bar g
	BMF and BMFRA	24 bar g



### Materials

No.	Part	Material	
1	Body	BMF	Cast iron DIN 1691 GG 20
		BM	Cast steel DIN 17245 GS C25
2	Valve closure member	Stainless steel	AISI 440 B
3	Valve seat ring	Stainless steel	BS 970 431 S29
4	Valve seat gasket	Mild steel	BS 1449 CS4
5	Ball return spring	Stainless steel	BS 2056 302 S26
6	Main return spring	Stainless steel	BS 2056 302 S26
7	Bonnet	Steel	DIN 17243 C22.8
8	Bonnet gasket	Reinforced exfoliated graphite	

## Kv values

BM2 BMF2	BM3 BMF3	BM4 BMF4	BM6 BMF6	BMRA BMFRA
0.38	0.64	1.03	1.65	0.59

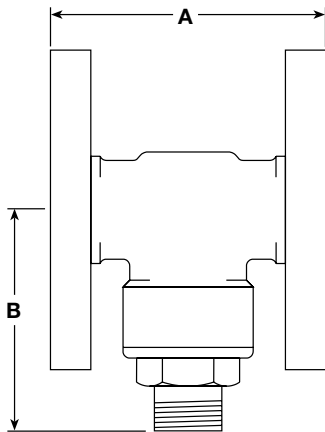
For conversion:  $C_v$  (UK) =  $K_v \times 0.963$      $C_v$  (US) =  $K_v \times 1.156$

## Capacities

For saturated steam sizing capacities, see TI-GCM-08.  
For water sizing capacities, see TI-GCM-09.

## Dimensions / weights (approximate) in mm and kg

Size	BS 4504 DIN PN16 and PN25	ANSI 300	B	Weight
	A	A		
DN15	130	127	87	3.6



## Safety information, installation and maintenance

For full details see the Installation and Maintenance Instructions (IM-S21-01) supplied with the product.

### Installation note

The valve should be fitted in a horizontal line. The actuator position will depend on the type fitted to the valve.

### Maintenance note

#### How to fit general:

- Remove the control system sensor from the plant and allow it to cool (SA systems).
- Disconnect the actuator from the valve.
- Before attempting to carry out any repairs, make sure that the valve is fully isolated.
- It is important always to renew the complete assembly as listed in 'Spare parts' and to make sure that all the joint faces are clean.
- Always reassemble using new gaskets lightly coated with a suitable jointing compound (preferably of a non-graphited type).

#### Valve seat assembly:

- To replace the valve seat assembly unscrew the bonnet (7).
- Remove the valve seat (3) from the body (1) and replace it with a new one using a box spanner 18 mm A/F.
- Unscrew the spindle retaining nut and withdraw it from the bonnet ball head and spindle assembly. The ball head and spindle assembly of the BM and BMF valves are preassembled and set to the correct length. No further adjustment is necessary.
- Replace the new assembly or spring (BMRA and BMFRA).
- Tighten the spindle retaining nut.
- Refit the bonnet to the valve body using a new gasket.

## How to order

**Example:** 1 off Spirax Sarco DN15 BMRA self-acting control valve having flanged EN 1092 PN25 connections.

## Spare parts

The spare parts available are shown in solid outline. Parts drawn in broken line are not supplied as spares.

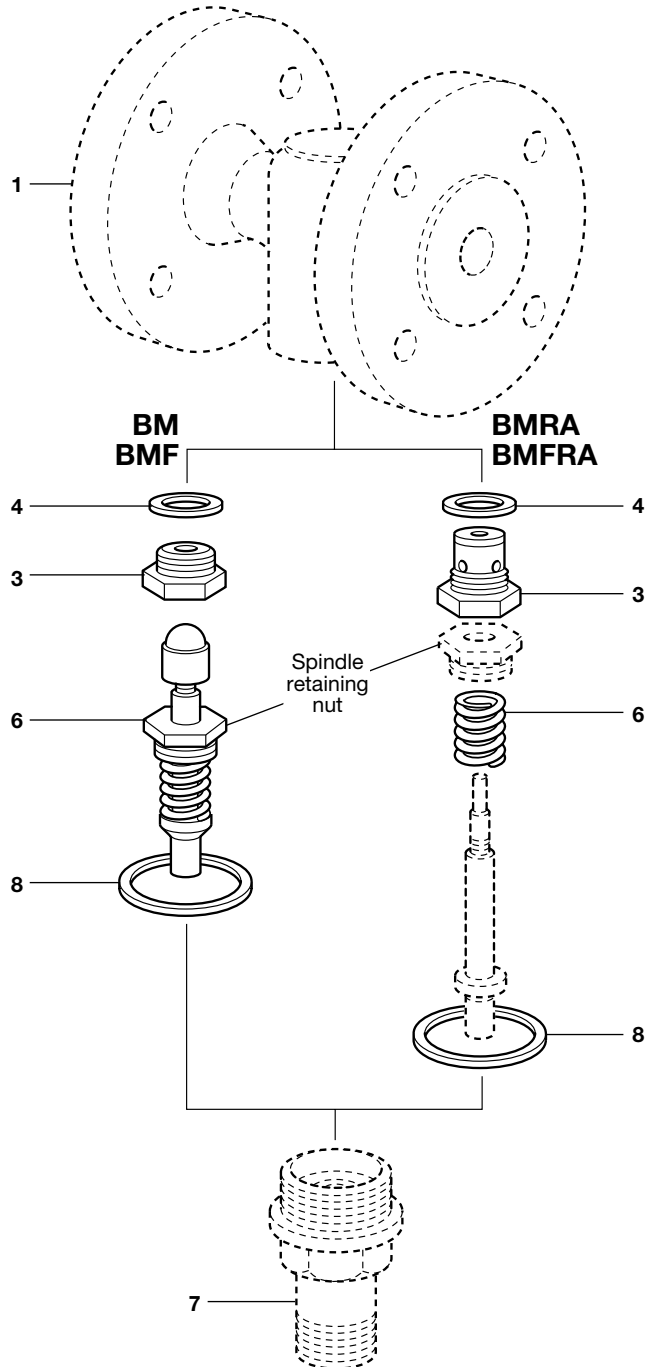
### Available spares

Valve seat assembly	BM and BMF	<b>3, 4, 6, 8</b>
	BMRA and BMFRA	<b>3, 4, 6, 8</b>
Gasket set	(3 of each in a packet)	<b>4, 8</b>

### How to order spares

Always order spares by using the description given in the column headed 'Available spares' and state the size and type of valve.

**Example:** 1 - Valve seat assembly for a DN15 BMRA self-acting control valve.



### Recommended tightening torques

Item no.	Part	18 A/F or mm	N m
3	Valve seat	18 A/F	40 - 50
7	Bonnet		70 - 80