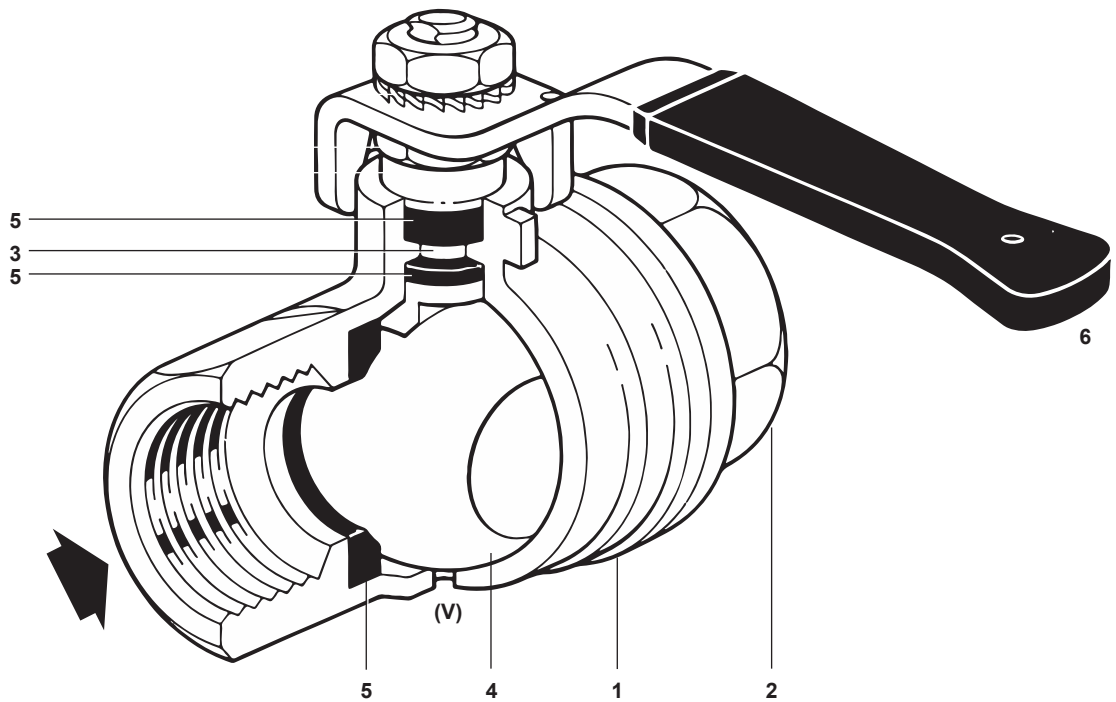


Venting and Non-venting Ball Valve



Description

A full bore ball valve suitable for compressed air and other fluids and gases compatible with the materials of construction and pressure/temperature limits (contact Spirax Sarco for details).

It is designed to provide dead tight shut-off for pneumatic and other applications.

When the valve is moved to the closed position (supply off) on self-venting models, the downstream pressure will slowly exhaust through the vent orifice (V). Self-venting models carry a flow direction arrow.

The illustration shows the self-venting valve in the closed position.

Principal features:

- Full bore for good flow characteristics (to BS 5351).
- Suitable for inert industrial gases.
- Suitable for water and other similar fluids.
- All PTFE seals.
- Hard chrome self-cleaning ball.
- Anti blow-out stem and inner seal.

Sizes and end connections

V - Venting 1/4", 3/8", 1/2", 3/4", and 1" screwed BSP

NV - Non-venting 1/4", 3/8", 1/2", 3/4", 1", 1 1/4", 1 1/2" and 2" screwed BSP

Materials

No.	Part	Material
1	Body	Brass nickel plated
2	Cap	Brass nickel plated
3	Spindle	Brass nickel plated
4	Ball	Brass chrome plated
5	Seals	PTFE
6	Handle	Steel chrome plated blue PVC sleeve

Pressure/temperature limits

	Venting	Non-venting
Maximum operating pressure	10 bar	40 bar
Maximum operating temperature	100°C	110°C
Minimum operating temperature	-20°C	-20°C

K_V values

Size	1/4"	3/8"	1/2"	3/4"	1"	1 1/4"	1 1/2"	2"
K _V	5.9	9.4	17	41	70	121	200	292

For conversion: C_V (UK) = K_V x 0.963 C_V (US) = K_V x 1.156

Installation

Always install the valve with the flow direction as indicated on the body of the self-venting models.

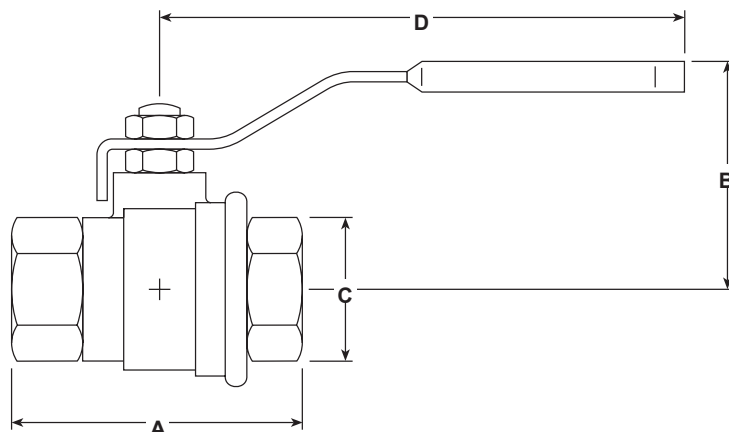
Dimensions / weights (approximate) in mm and kg

Non-venting types

Size	A	B	C	D	Weight
1/4"	46.0	41	20.0	89	0.143
3/8"	46.0	41	20.0	89	0.126
1/2"	56.7	48	25.0	88	0.207
3/4"	67.0	55	32.0	84	0.308
1"	78.0	55	39.5	125	0.464
1 1/4"	88.0	80	49.0	140	0.735
1 1/2"	99.3	87	56.0	140	0.960
2"	121.0	92	69.0	165	1.537

Self-venting types

Size	A	B	C	D	Weight
1/4"	52	42	22.5	96	0.17
3/8"	52	42	22.5	96	0.2
1/2"	62	46	29.5	96	0.22
3/4"	69	58	32.0	121	0.36
1"	83	62	40.5	121	0.55



How to order

Example: 1 off screwed BSP self-venting ball valve.