



## AVM6.1 Stainless Steel Thermostatic Air Vent

### Description

The Spirax Sarco AVM6.1 is a maintainable thermostatic air vent designed to remove air and other non-condensable gases from clean steam systems. Manufactured in 316L stainless steel with a crevice free body design, it is self-draining and operates close to steam temperature. The AVM6.1 has an internal finish of 0.5 µm Ra whilst the external finish is 1.0 µm Ra. When supplied, the AVM6.1 is individually packaged within an "ISO CLASS 7" clean environment with protective end caps and sealed in a protective plastic bag.

### Options

½" Tri-Clover connections.

### Standards

- The AVM6.1 has been designed and built in general accordance with ASME BPE.
- The unit also complies with the requirements of the EU Pressure Equipment Directive/UK Pressure Equipment (Safety) Regulations.

### The seal part is compliant with:

- FDA CFR Title 21. Paragraph 177.2600.
- USP Class VI Biological Reactivity Cytotoxicity Testing in-Vivo <88> extracted at 121 °C for 1 hour.
- ADI Free (Animal Derived Ingredients) for materials used, manufacturing processes involved in producing the part.

### Certification

This product is available with the following certification:

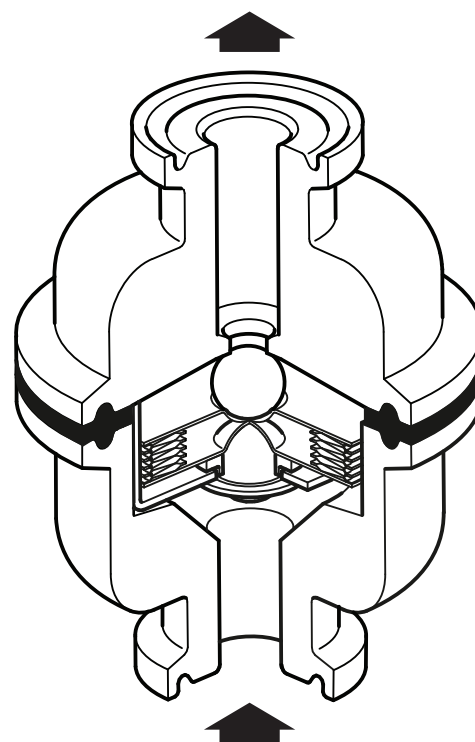
- EN 10204 3.1 material certificates (pressure containing parts)
- EN 10204 3.1 material certificates (wetted parts, including element fill) subject to additional cost.
- Typical internal surface finish certificates.
- Specific internal surface finish certificates available at point of order request, and may be subject to additional cost.
- Certificate of compliance for FDA, USP and ADI free.
- TSE/BSE Free Statement.
- Certificate of compliance EC1935:2004 Food Contact Materials.
- Declaration of conformity BS EN ISO 14644-1:2015 Class 7 Clean Room.

**Note:** All certification/inspection requirements must be stated at the time of order placement, and may be subject to additional cost.

### Sizes and pipe connections

½" sanitary clamp connections.

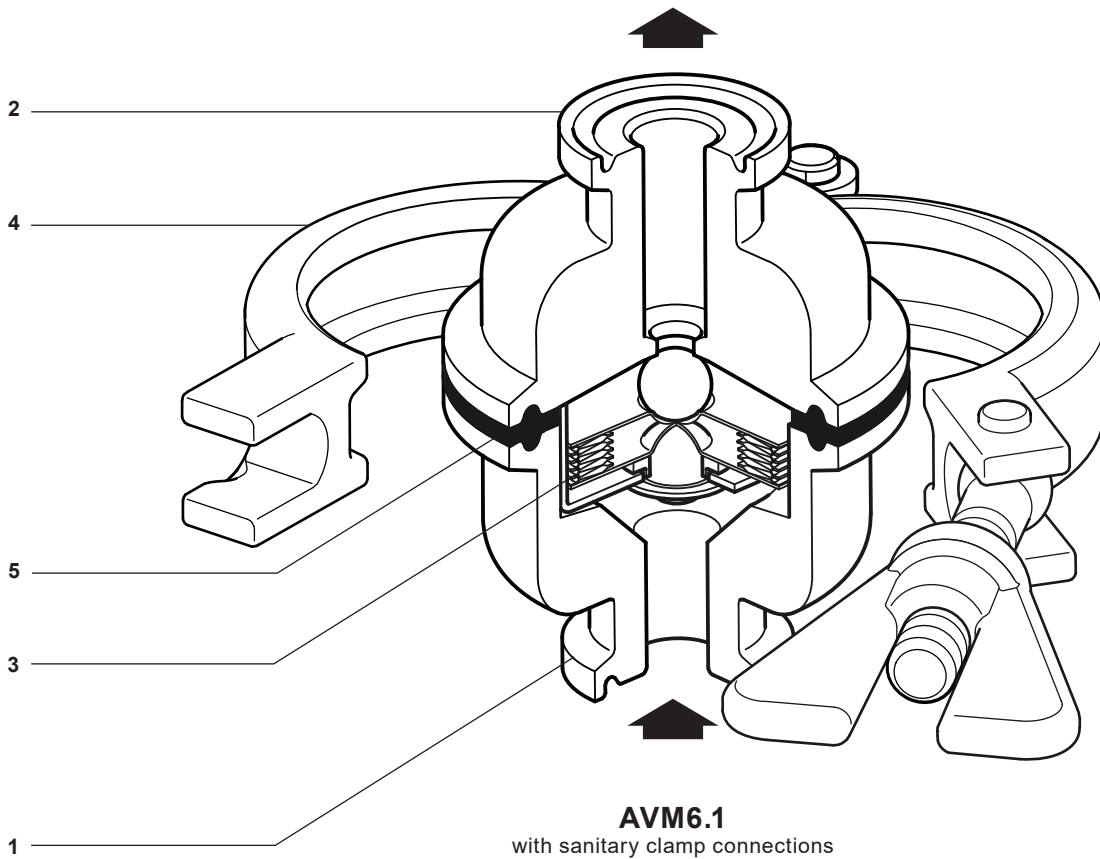
For other connections please consult Spirax Sarco



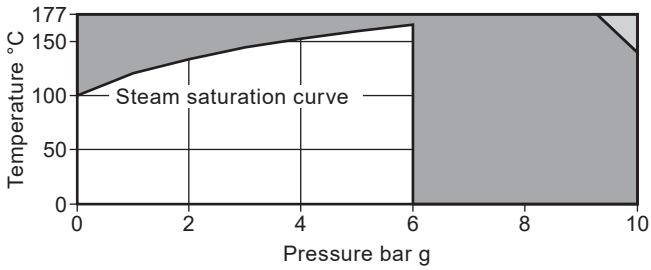
**AVM6.1**  
(clamp removed for clarity)

## Materials

No.	Part	Material	
1	Body (inlet)	Stainless steel	ASTM A276 316L
2	Body (outlet)	Stainless steel	ASTM A276 316L
3	Capsule element	Stainless steel	ASTM A276 316L
4	Body clamp	Stainless steel	AISI 316
5	Seal	Tuf-steel	PTFE + AISI 316L



### Pressure/temperature limits (ISO 6552)



- The product **must not** be used in this region.
- The product should not be used in this region as damage to the internals may occur.

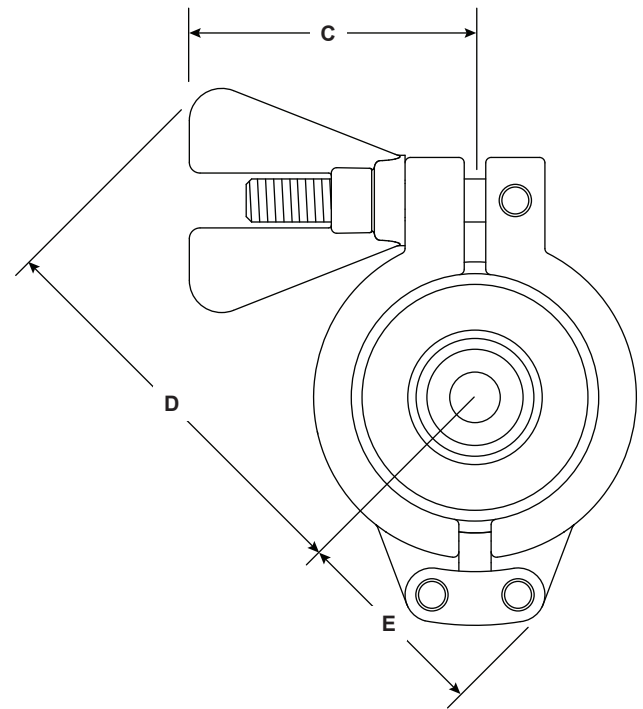
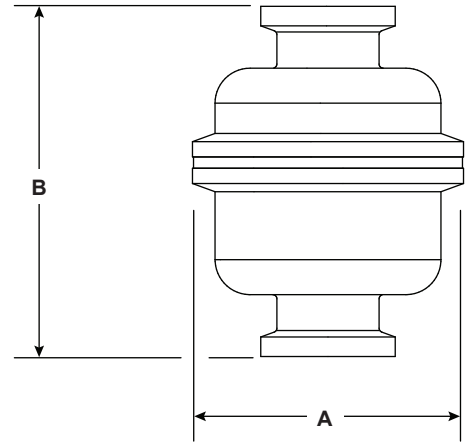
**Note:** For hygienic/sanitary clamp ends the maximum pressure/temperature may be restricted by the gasket or sanitary clamp used. Please consult Spirax Sarco.

Body design condition	PN10
PMA Maximum allowable pressure	9.7 bar g @ 38 °C
TMA Maximum allowable temperature	171 °C @ 7.1 bar g
Minimum allowable temperature	-10 °C
PMO Maximum operating pressure for saturated steam service	6 bar g
TMO Maximum operating temperature	165 °C @ 6 bar g
Minimum operating temperature	0 °C
Designed for a maximum cold hydraulic test pressure of:	14.55 bar g

**Note:** Refer to IM-P080-02 for instruction on how to perform hydraulic testing.

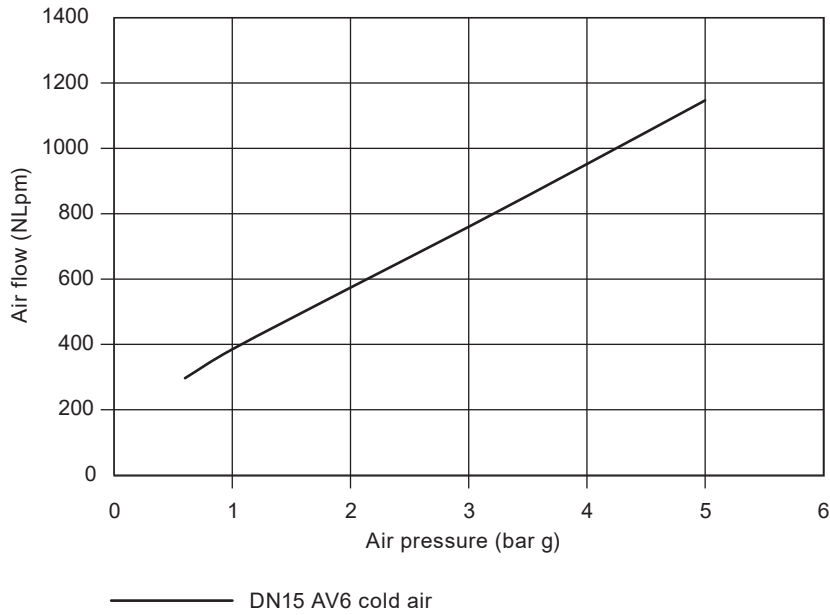
### Dimensions/weights (approximate) in mm and kg

Size	A	B	C	D	E	Weight
1/2"	50.4	65	53	76	37	0.69 kg

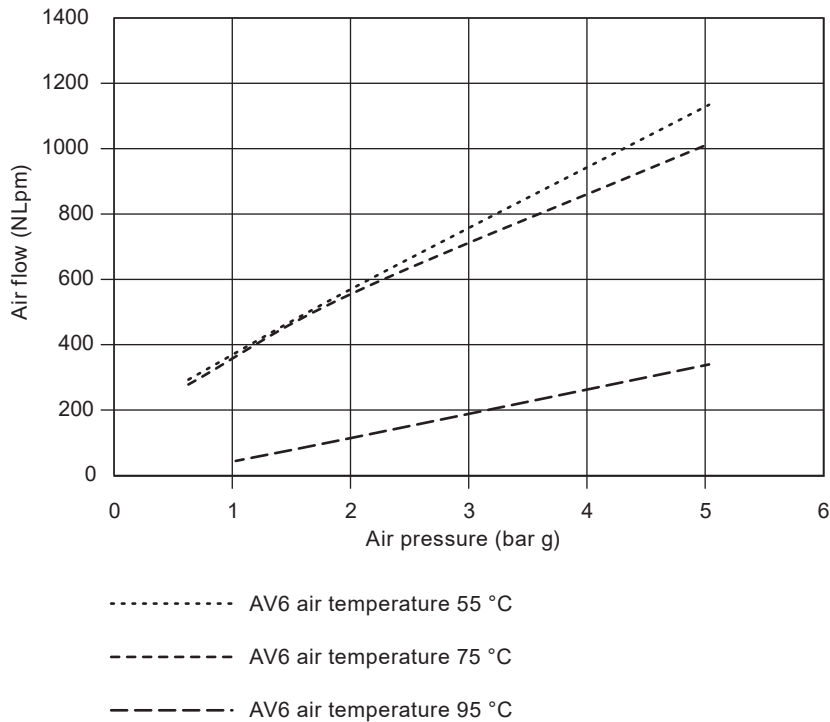


## Capacities

### ½" AVM6.1 cold air



### ½" AVM6.1 hot air



## Safety information, installation and maintenance

For full details see the Installation and Maintenance Instructions (IM-P080-02) supplied with the product.

**Installation note:** The air vent is designed for installation in vertical lines with the flow upwards to ensure self-draining operation. Do not expose the element to superheat conditions since over-expansion may result. Suitable isolation valves must be installed to allow for safe maintenance/replacement.

## How to order example

1 off Spirax Sarco ½" AVM6.1 maintainable thermostatic air vent. Connections to be sanitary clamp ends to meet the requirements of ASME BPE.

Material Certification to EN10204 3.1 for pressure containing parts.

## Spare parts

Available spares are shown in solid outline. Parts drawn in a grey line are not available as spares.

### Available spares

Element assembly	3
Gasket (set of 3)	5

### How to order spares

Always order spares by using the description given in the column headed 'Available spares' and state the size, type and end connection of the unit.

**Example:** 1 - Element assembly for a BT6/BT6F/AVM6.1/AVM7.

