



AVM6.1 and AVM6.1 Food+ Balanced Pressure Sanitary Thermostatic Air Vent

Description

The Spirax Sarco AVM6.1 is a clean (chemical-free) maintainable thermostatic air vent designed to remove air and other non-condensable gases from clean (chemical free) and pure steam systems. Manufactured in 316L stainless steel with a crevice free body design, it is self-draining and operates close to steam temperature. The AVM6.1 has an internal finish of 0.5 µm Ra whilst the external finish is 1.0 µm Ra. When supplied, the AVM6.1 is individually packaged within an "ISO CLASS 7" clean environment with protective end caps and sealed in a protective plastic bag.

AVM6.1 Food+

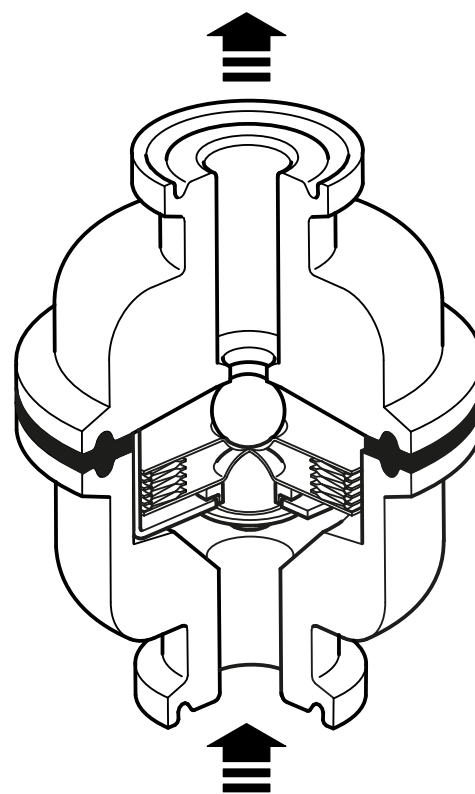
Designed, manufactured and approved for Steam and Condensate applications. This product complies with EC1935:2004 Food Contact Materials. It also complies with regulation EC2023:2006 on good manufacturing practice for materials and articles intended to come into contact with food. A list of the materials that could come directly or indirectly into contact with foodstuffs can be found in the Declaration of Compliance available for this product.

Options and available types

½" Tri-Clamp connections.

Standards

- The AVM6.1 has been designed and manufactured in general accordance with ASME BPE standards.
- The unit also complies with the requirements of the European Pressure Equipment Directive 2014/68/EU.
- FDA CFR Title 21. Paragraph 177.2600.
- USP Class VI Biological Reactivity Cytotoxicity Testing in-Vivo <88> extracted at 121 °C for 1 hour.
- ADI Free (Animal Derived Ingredients) for materials used, manufacturing processes involved in producing the part.
- TSE/BSE Free as Certified.
- Full material lot number product traceability.



AVM6.1

(clamp removed for clarity)

Certification

This product is available with the following certification:

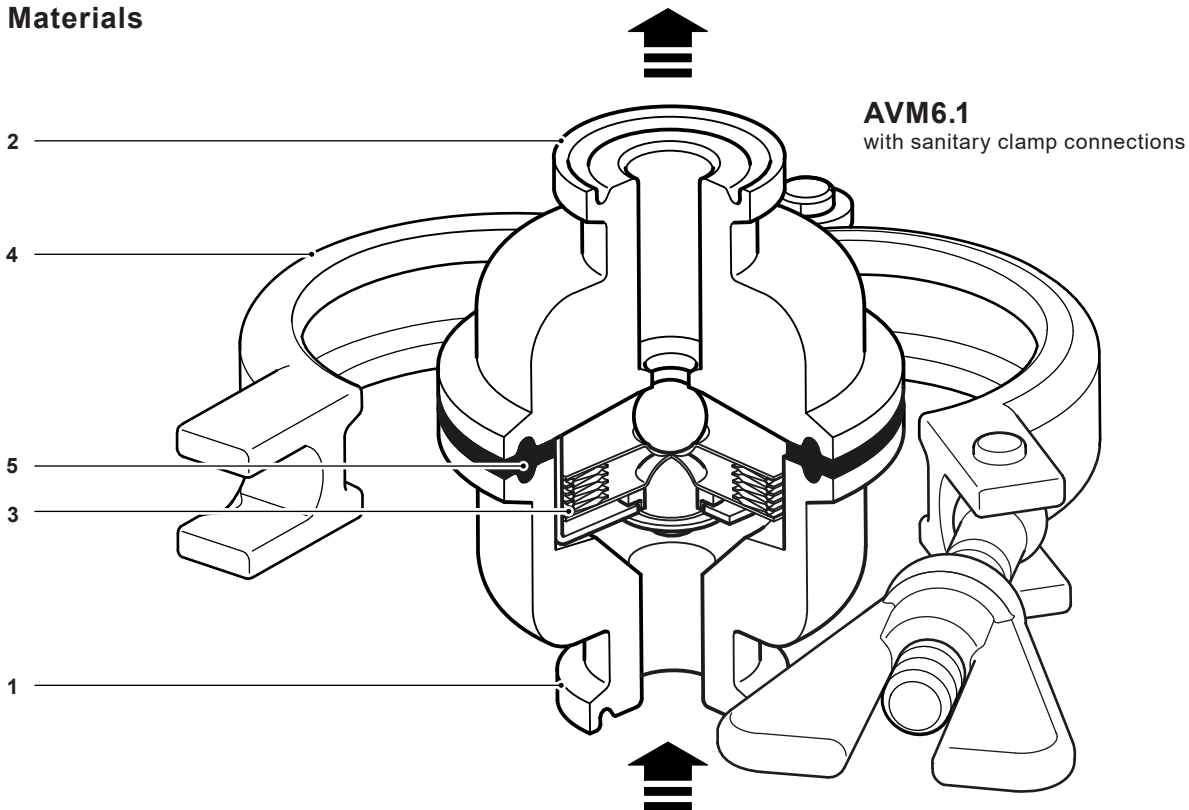
- EN 10204 3.1 Material Certification Pressure Retaining Parts - Chargeable.
- EN 10204 3.1 Material Certification for Wetted Parts including the WFI element fill (also available for element spares) - Chargeable.
- Specific Internal Surface Finish - Chargeable.
- Typical Internal Surface Finish - F.O.C.
- Certificate of Compliance for FDA, USP Class VI Testing Statement, and ADI Free Statement - F.O.C.
- TSE-BSE Statement - F.O.C.
- EC1935:2004 Declaration of Compliance - F.O.C. (Food+ range only)
- Declaration of Conformity BS EN ISO 14644-1:2015 Class 7 Clean Room - F.O.C.
- Typical Test Report - F.O.C.

Note: All certification/inspection requirements must be stated at the time of order placement, and may be subject to additional cost as detailed above.

Sizes and pipe connections

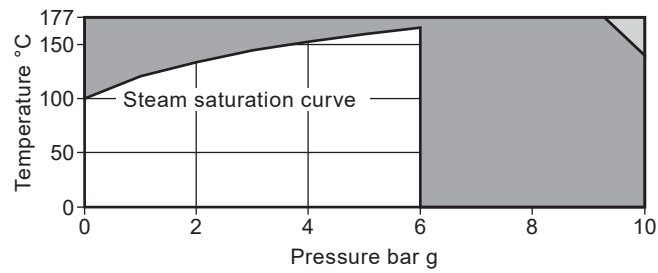
½" sanitary clamp compatible hygienic connections. For other connections please consult Spirax Sarco

Materials




No.	Part	Material
1	Body (inlet)	Stainless steel
2	Body (outlet)	Stainless steel
3	Capsule element	Stainless steel 316L (1.4404)
4	Safety clamp	Stainless steel
5	Seal	PTFE/Stainless Steel Composite gasket

Pressure/temperature limits (ISO 6552)



 The product **must not** be used in this region.

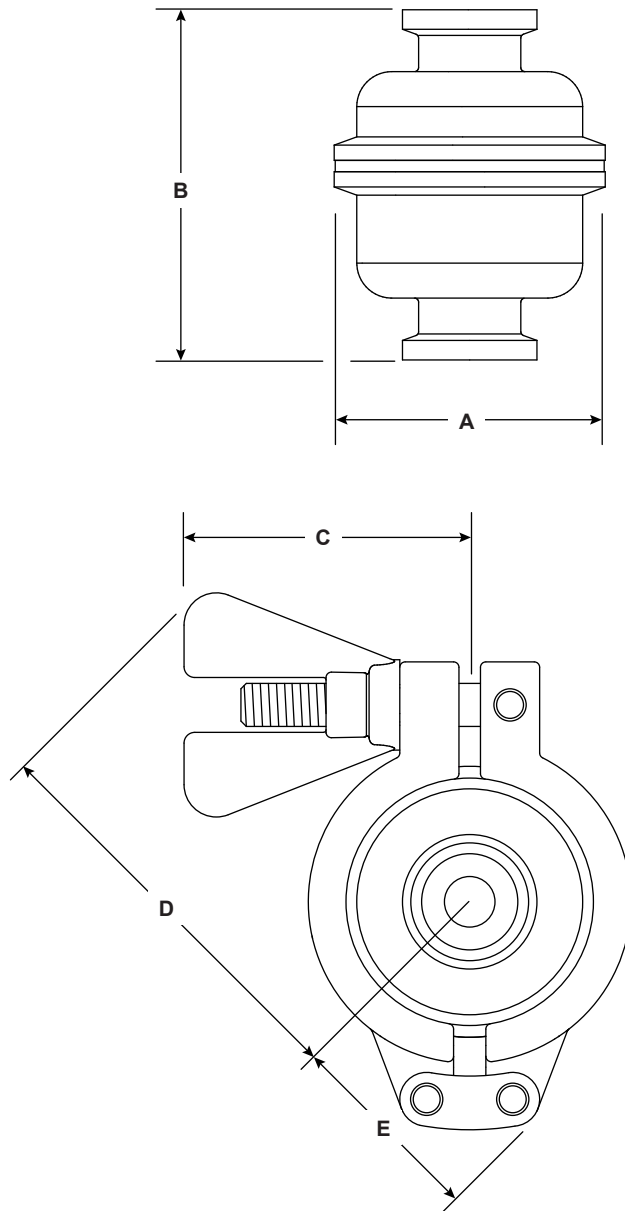
 The product should not be used in this region as damage to the internals may occur.

Note: For hygienic/sanitary clamp ends the maximum pressure/temperature may be restricted by the gasket or sanitary clamp used. Please consult Spirax Sarco.

Body design condition	PN10
PMA Maximum allowable pressure	9.7 bar g @ 38 °C
TMA Maximum allowable temperature	171 °C @ 7.1 bar g
Minimum allowable temperature	-10 °C
PMO Maximum operating pressure for saturated steam service	6 bar g
TMO Maximum operating temperature	165 °C @ 6 bar g
Minimum operating temperature	0 °C
Designed for a maximum cold hydraulic test pressure of:	14.55 bar g

Note: Refer to IM-P080-02 for instruction on how to perform hydraulic testing.

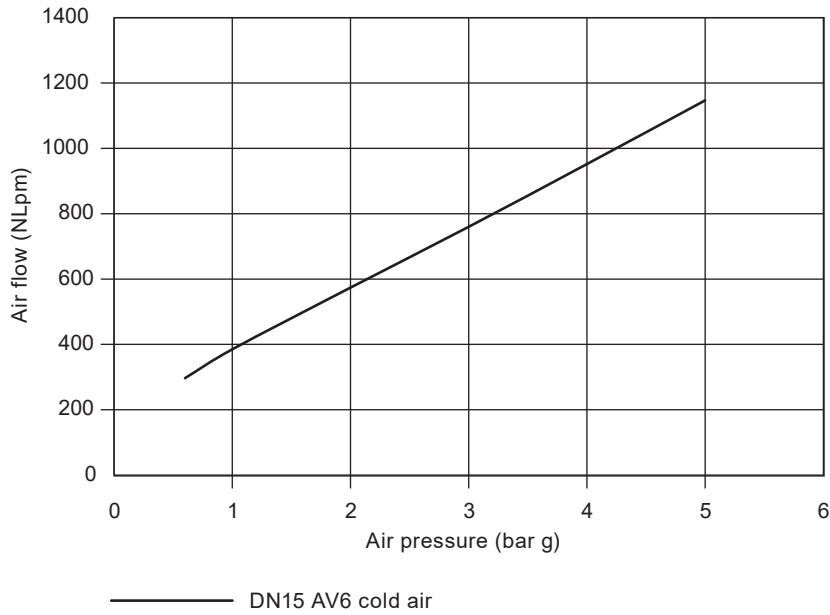
Dimensions/weights (approximate) in mm and kg



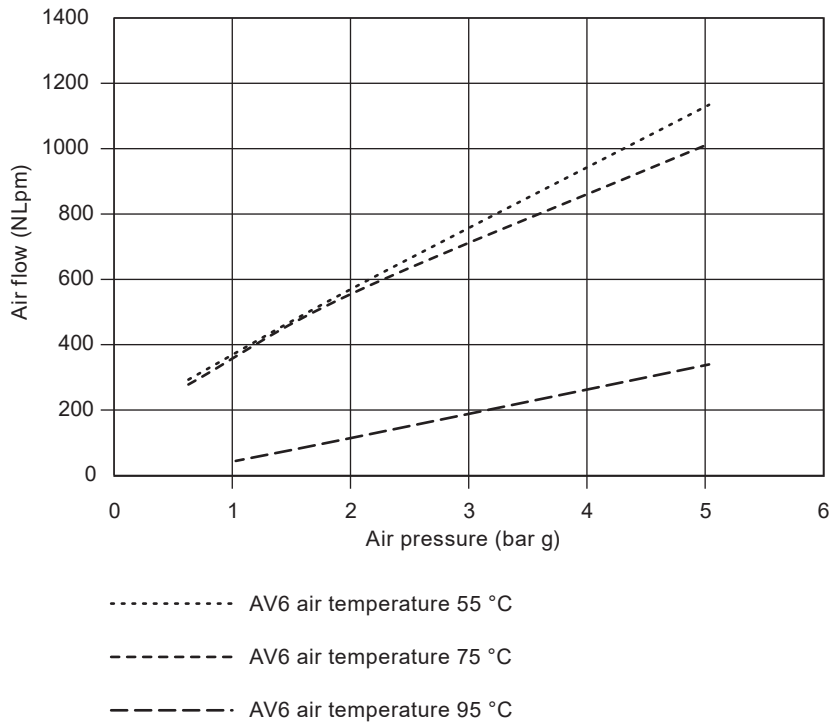
Size	A	B	C	D	E	Weight
1/2"	50.4	65	53	76	37	0.69 kg

Capacities

½" AVM6.1 cold air



½" AVM6.1 hot air



Safety information, installation and maintenance

For full details see the Installation and Maintenance Instructions (IM-P080-02) supplied with the product.

Installation note: The air vent is designed for installation in vertical lines with the flow upwards to ensure self-draining operation. Do not expose the element to superheat conditions since over-expansion may result. Suitable isolation valves must be installed to allow for safe maintenance/replacement.

How to order example

1 off Spirax Sarco ½" AVM6.1 maintainable thermostatic air vent. Connections to be sanitary clamp ends to meet the requirements of ASME BPE.

Material Certification to EN10204 3.1 for pressure containing parts.

Spare parts

Available spares are shown in solid outline. Parts drawn in a grey line are not available as spares.

Available spares

Element assembly	3
Gasket (set of 3)	5

How to order spares

Always order spares by using the description given in the column headed 'Available spares' and state the size, type and end connection of the unit.

Example: 1 - Element assembly for a BT6/BT6F/AVM6.1/AVM7.

