



Cert. No. LRQ 0963008

ISO 9001

spirax sarco

AVC32

TI-P123-15
ST Issue 5

Carbon Steel Air Vent for Steam Systems

Description

The AVC32 is a carbon steel maintainable balanced pressure thermostatic air vent for use on steam systems. It has an integral flat strainer screen and straight connections. All pressure bearing components are produced by TÜV approved suppliers in accordance with AD-Merkblatt WO/TRD100.

Standards

This product fully complies with the requirements of the European Pressure Equipment Directive 97/23/EC.

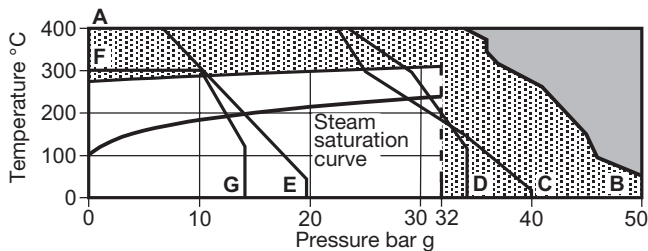
Certification

This product is available with certification to EN 10204 3.1.
Note: All certification/inspection requirements must be stated at the time of order placement.

Sizes and pipe connections

½", ¾" and 1" screwed BSP or NPT.
½", ¾" and 1" socket weld ends to BS 3799.
½", ¾" and 1" butt weld ends to EN 12 627
DN15, DN20 and DN25 standard flange to EN 1092 PN40,
ANSI B 16.5 Class 150 and 300, JIS/KS 10K and JIS/KS 20K.

Pressure/temperature limits (ISO 6552)



- The product **must not** be used in this region.
- The product should not be used in this region as damage to the internals may occur.
- A - B** Screwed, socket weld, butt weld and flanged ANSI 300.
- A - C** Flanged EN 1092 PN40.
- A - D** Flanged JIS/KS 20K.
- A - E** Flanged ANSI 150.
- F - G** Flanged JIS/KS 10K.

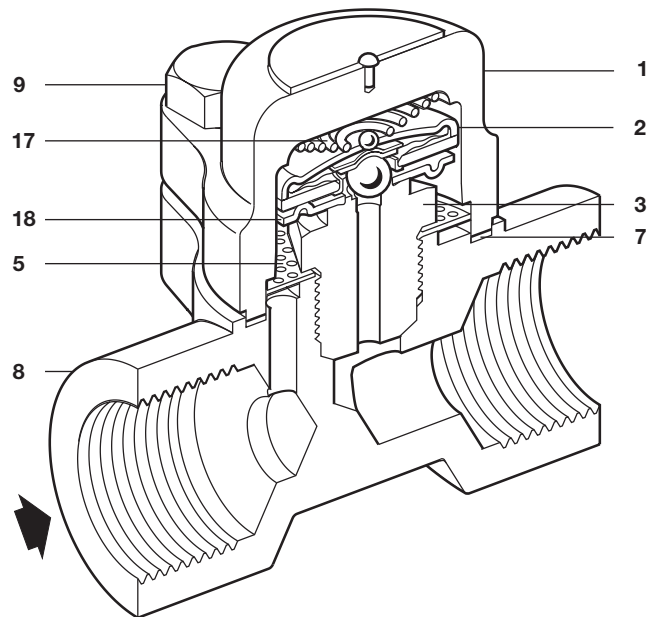
Maximum body design conditions	PN40
PMA Maximum allowable pressure	50 bar g @ 50°C
TMA Maximum allowable temperature	400°C @ 35 bar g
Minimum allowable temperature	-60°C
PMO Maximum operating pressure for saturated steam service	32 bar g
TMO Maximum operating temperature	287°C @ 32 bar g
Minimum operating temperature	0°C

Note: For lower operating temperatures consult Spirax Sarco
Designed for a maximum cold hydraulic test pressure of 75 bar g

K_v values

Size	DN15 - ½"	DN20 - ¾"	DN25 - 1"
K _v	0.8	0.8	0.8

For conversion: C_v (UK) = K_v x 0.963 C_v (US) = K_v x 1.156

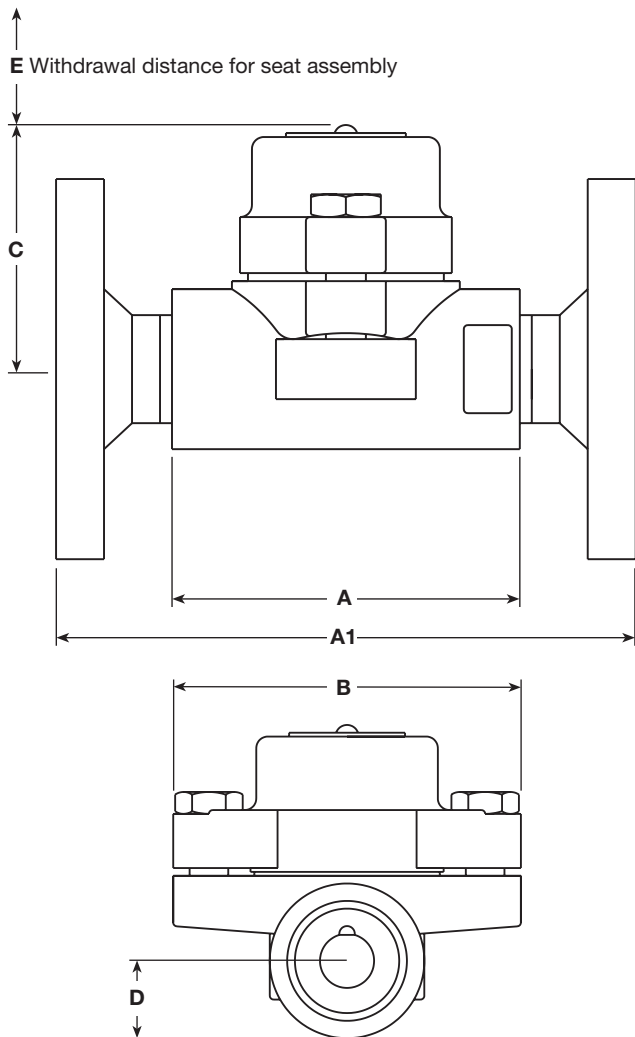


Materials

No.	Part	Material
1	Cover	Carbon steel DIN 17243 C22.8 (W/S 1.0460) ASTM A105N
2	Capsule	Stainless steel
3	Valve seat	Stainless steel BS 970 431 S29
5	Strainer screen	Stainless steel AISI 304
7	Cover gasket	Stainless steel reinforced exfoliated graphite
8	Body/flanges	Carbon steel DIN 17243 C22.8 (W/S 1.0460) ASTM A105N
9	Cover bolts	Stainless steel (M10 x 30) A2-70
17	Spring	Stainless steel
18	Spacer plate	Stainless steel

Dimensions / weights (approximate) in mm and kg

Size	A	A1	B	C	D	E	Weight	
							Scrd/SW/BW/Flgd	
½" DN15	95	150	94	64	17	37	1.4	2.9
¾" DN20	95	150	94	64	19	37	1.4	3.5
1" DN25	95	160	94	64	23	37	1.5	4.1



Safety information, installation and maintenance

For full details see the Installation and Maintenance Instructions (IM-P123-14) supplied with the product.

Installation note:

The AVC32 is designed for installation with the capsule in a horizontal plane with the cover at the top.

The AVC32 should be positioned at the highest point of the steam main or plant where the air collects. The outlet should be piped to a safe place.

For ease and maintenance, consideration should be given to fitting isolation valves upstream and downstream of the air vent.

The air vent must not be insulated.

Disposal

This product is recyclable. No ecological hazard is anticipated with the disposal of this product, providing due care is taken.

How to order

Example: 1 off Spirax Sarco ½" AVC32 air vent having screwed BSP connections.

Spare parts

The spare parts available are shown in solid outline. Parts drawn in broken line are not supplied as spares.

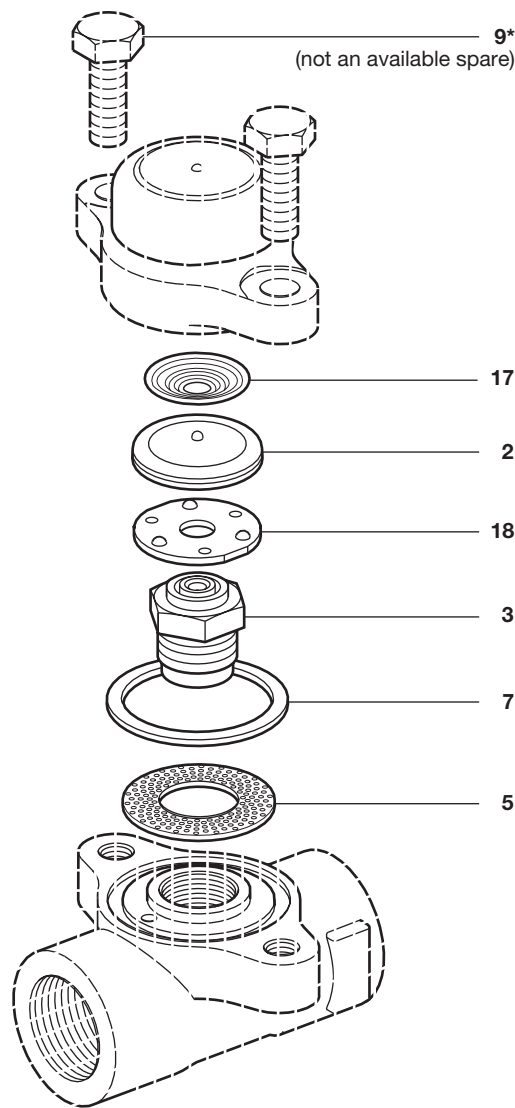
Available spares

Capsule and seat assembly set	2, 3, 17, 18
Strainer screen (packet of 3)	5
Set of cover gaskets (packet of 3)	7



How to order spares

Always order spares by using the description given in the column headed 'Available spares' and state the size and type of air vent.

Example: 1 - Capsule and seat assembly set for a Spirax Sarco DN25 AVC32 air vent.



Recommended tightening torques

Item	Part	 or  mm	N m
3	Valve seat	24 A/F	115 - 125
9	Cover bolts	16 A/F M10 x 30	23 - 27