



AEL3 Electric Actuators

Description

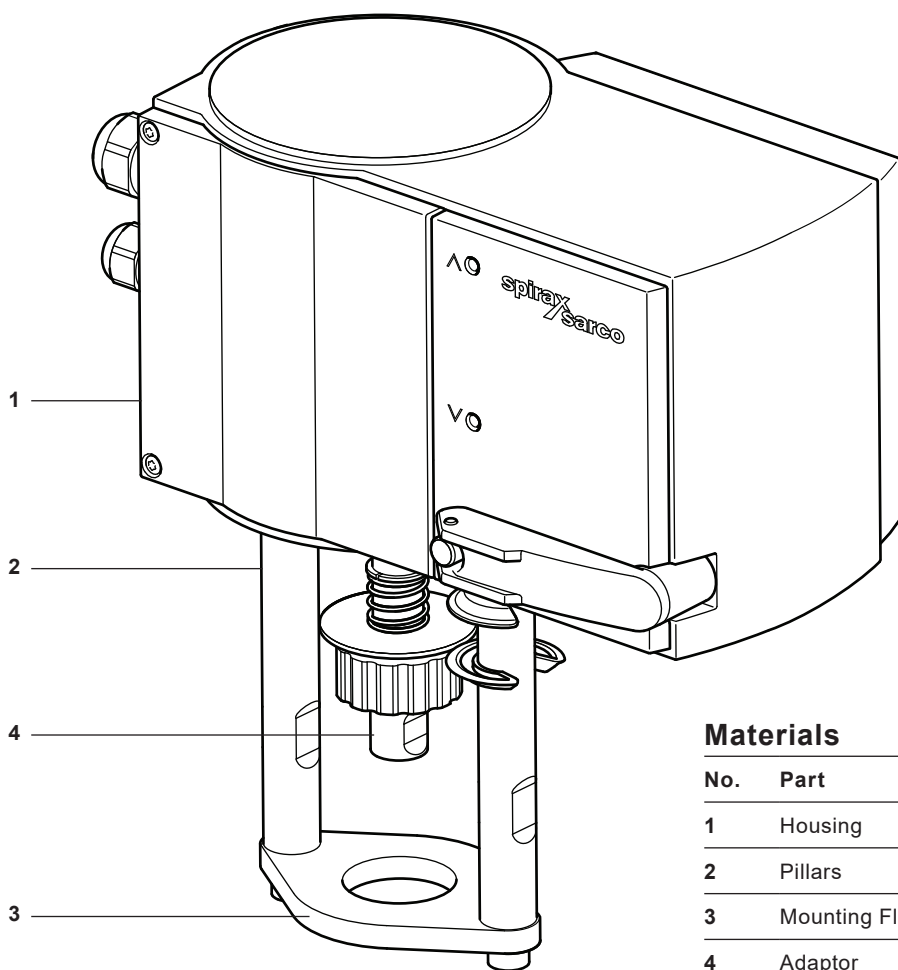
The AEL3 is a stepper motor controlled, electric actuator with non-serviceable maintenance free gearbox. For use on DN15-DN50 Spira-trol 2-port valves and on DN15-DN50 QL 3-port valves.

Available types

The actuators are available as standard with 24 Vac/dc. 230 Vac and 100-110 Vac modules can be installed into the actuator. The standard version is available for VMD (Valve Motor Drive), 4 - 20 mA or 0 - 10 Vdc input control signals. Other variants are Spring Extend, Spring Retract and No Spring. These actuators can be used with the following valves:

Control valves	2-port	Spira-trol™ DN15 to DN50
	3-port	QL valves DN15 to DN50 with centralising ring

Note: For fluid temperatures between 130 °C and 240 °C high temperature extension kits are required.



Materials

No.	Part	Material
1	Housing	Polycarbonate
2	Pillars	Stainless steel
3	Mounting Flange	Stainless Steel
4	Adaptor	Stainless Steel

Technical data

Supply voltage	24 Vac/dc (modules for 230 Vac, 100-110 Vac,) (+/-15%)
Supply frequency	50 Hz/60 Hz/continuous
Maximal power consumption W Note: power consumption is relative to 50/60 Hz/continuous respectively	12 W (24 Vac/dc) 28 VA (230 and 100-110 Vac)
Stroke mm (maximum)	20
Actuator speed mm/s (s/mm) Note: Speed is selectable within the actuator.	0.5 (Factory set), 0.25 or 0.16 (2, 4 or 6)
Enclosure rating	IP66 EN60529
Actuator thrust kN (maximum)	2
Ambient limits	-10 °C to +55 °C, <95% humidity
Storage temperature	-20 °C to +70 °C
Altitude	≤ 2000 m (6 562 ft) above sea level
Valve control input	VMD: 24 V, 100-110 V or 230 V. Signal: 4 - 20 mA or 0 - 10 Vdc
Active valve position feedback	0 - 10 Vdc; load > 2500 Ohm
Status indication	2 LEDs indicate the status and error
Duty cycle spring return	>40,000 cycles

Optional extras

High temperature extension kits	For fluid temperatures between 130 °C and 185 °C.
	For fluid temperatures between 185 °C and 240 °C.
Auxiliary switches	
Power modules	For 230 Vac and 100-110 Vac

Approvals

Type of protection IP66 (EN60529)
Protection class III (IEC 60730)

EMC Directive: 2014/30/EU, EN 61000-6-1, EN 61000-6-2, EN 61000-6-4
LV Directive: 2014/35/EU EN 60730-1, EN 60730-2-14

Over-voltage categories III
Degree of contamination III

UL - UL873

cUL - CSA-C22.2 No. 24-93

Maximum differential pressures

Class IV Shut off, Flow under – Maximum differential pressure for Spira-trol valve with metal seat*

Actuator designation	Min thrust (N)	Theoretical Maximum Differential Pressure (bar)											
		DN15		DN20		DN25		DN32		DN40		DN50	
		PTFE	Graphite	PTFE	Graphite	PTFE	Graphite	PTFE	Graphite	PTFE	Graphite	PTFE	Graphite
AEL3E	2000	40.0	40.0	40.0	40.0	39.1	31.2	30.7	24.6	11.5	8.8	7.5	5.6
AEL3R													
AEL3X													

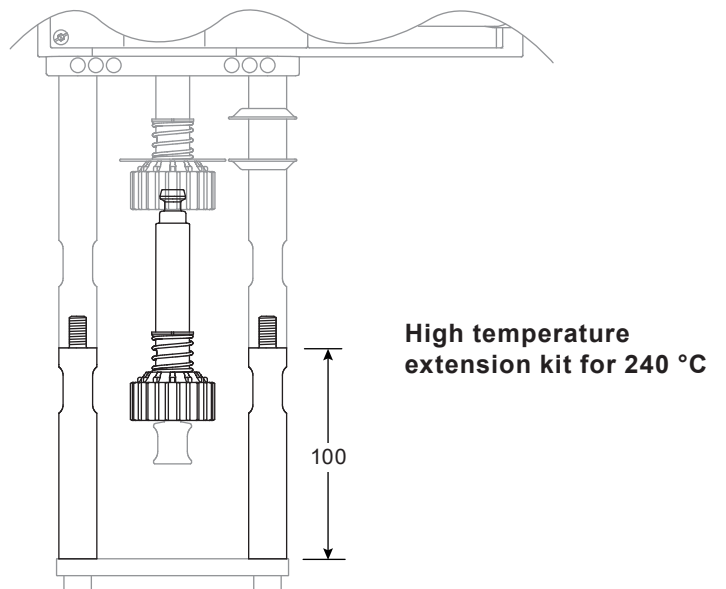
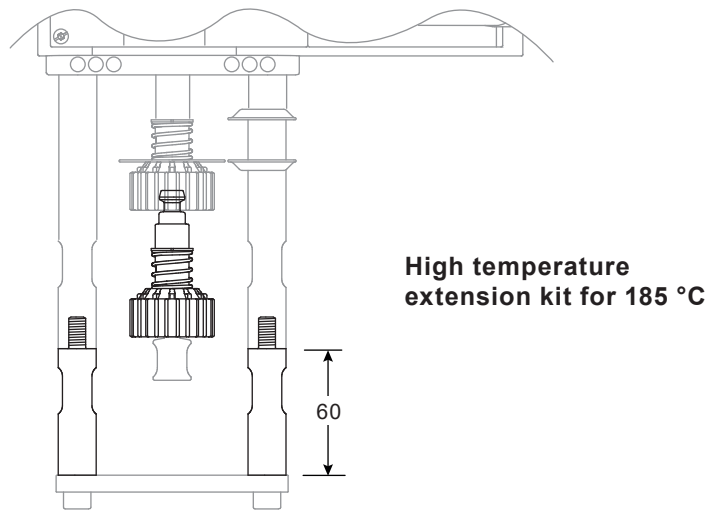
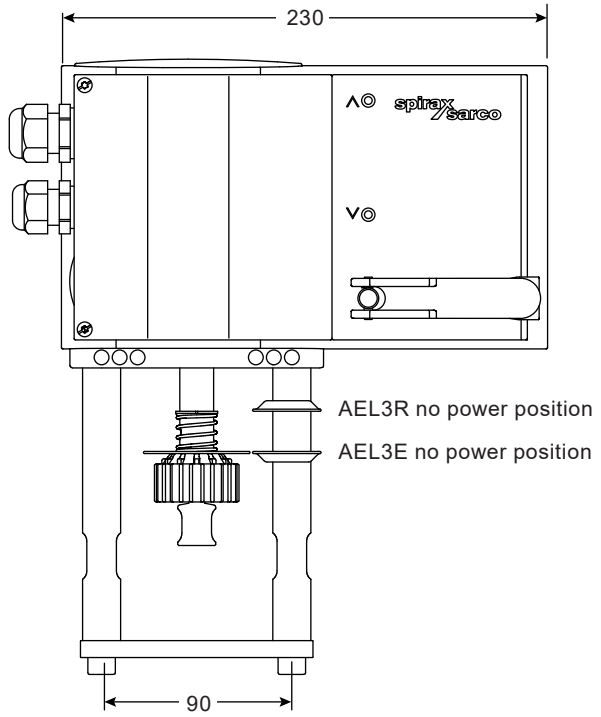
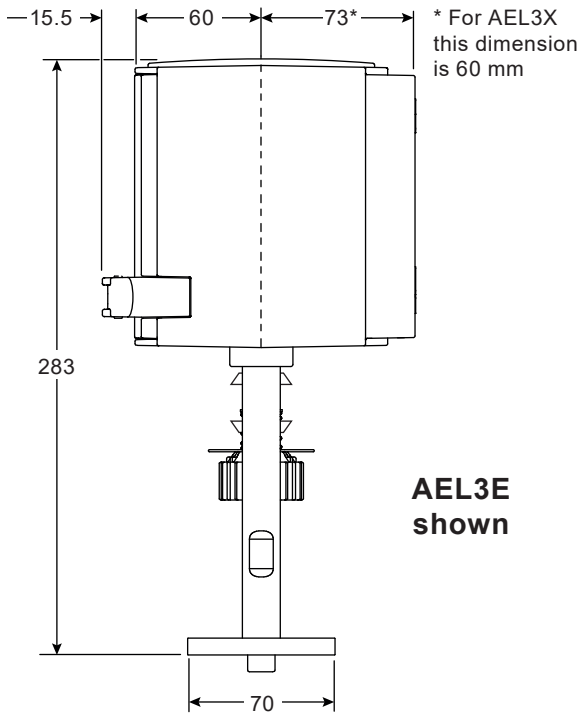
* Refer to technical information section for temperature limitations.

Class VI Shut off, Flow under – Maximum differential pressure for Spira-trol valve with soft seat*

Actuator designation	Min thrust (N)	Theoretical Maximum Differential Pressure (bar)											
		DN15		DN20		DN25		DN32		DN40		DN50	
		PTFE	Graphite	PTFE	Graphite	PTFE	Graphite	PTFE	Graphite	PTFE	Graphite	PTFE	Graphite
AEL3E	2000	40.0	40.0	40.0	40.0	40.0	38.5	35.5	29.4	14.6	12.0	10.2	8.3
AEL3R													
AEL3X													

* Refer to technical information section for temperature limitations.

Dimensions (approximate) in mm



Weights (approximate) in kg

AEL3E/AEL3R	5.7
AEL3X	4.2
185 °C kit	0.4
240 °C kit	0.7

Safety information, installation and maintenance

For full details see the Installation and Maintenance Instructions that are supplied with the product.

AEL3 actuators - Product nomenclature and selection example:

Product	A = Actuator	A	
Type	E = Electric	E	
Movement	L = Linear (Selectable within the actuator)	L	
Series	3	3	
Failure mode	E = Spring extend	E	
	R = Spring retract		
	X = No spring		
Supply voltage		24 Vac/dc	
		230 Vac	
		100-110 Vac	
Selection example	AEL3	E	24 Vac/dc

Customer requirement example:

24 Vac Electric actuator sprung closed for 12 bar steam on DN50 Spira-Trol valve, with additional position switches.

How to order

Example: 1 off Spirax Sarco AEL3E 24 Vac/dc Electric Actuator + 1 off AEL3 Auxiliary Switch + 1 off AEL3 High Temp. Ext. Kit <240°C