



Cert. No. LRQ 0963008

ISO 9001

spirax sarco

TI-P157-22
ST Issue 2

Type 8200L and 9300L Self-Retracting Hose Reels

Description

The Type 8200L is a compact self-retracting hose reel for use with the MX15 Mixatherm steam/water mixing valve for hosedown applications and the 9300L is for use with the MX20. The reels have a durable powder coat finish and incorporate an internal flow path that provides minimum spring retraction resistance. The 8200L is fitted with 1/2" x 20 m of dairy washdown steam hose with crimped on 1/2" swivel coupling, hose protectors and bumper stop. The 9300L is fitted with 3/4" x 20 m of dairy hose and 3/4" swivel coupling.

Operation

Withdraw hose from reel under tension by firmly holding gun and hose. The hose rewinds automatically. It is important that the hose is walked back to the reel safely to avoid damage to plant and personnel.

Limiting conditions

Maximum operating pressure	7 bar g
Maximum operating temperature	95°C

Available types

Type 8200L with 1/2" x 20 m of hose
Type 9300L with 3/4" x 20 m of hose

Note: If manual, pneumatic, electronic or stainless steel options are required, please contact Spirax Sarco.

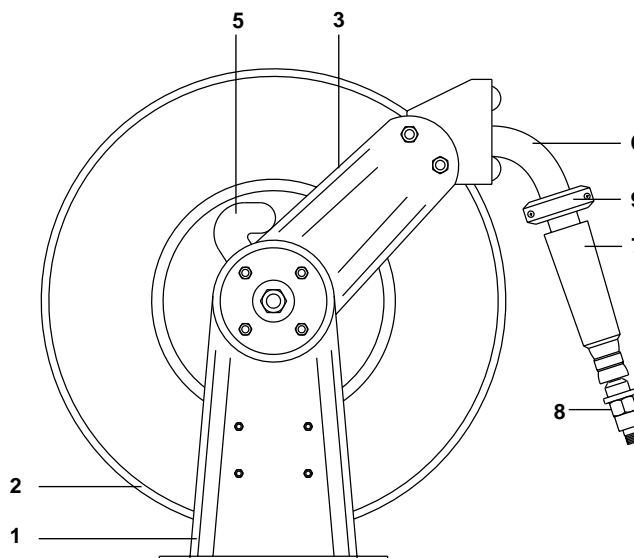
Materials

No.	Part	Material
1	Base and upright assembly	Carbon steel
2	Reel assembly	Carbon steel
3	Guide arm	Carbon steel
4*	Swivel assembly	Carbon steel
5	Ratchet, flow casting	Aluminium
6	Hose	Reinforced EPDM
7	Hose protector	Rubber PVC/Nitrile
8	Coupling	Brass chrome plated
9	Hose bumper assembly	Rubber

* Items 4 is shown overleaf

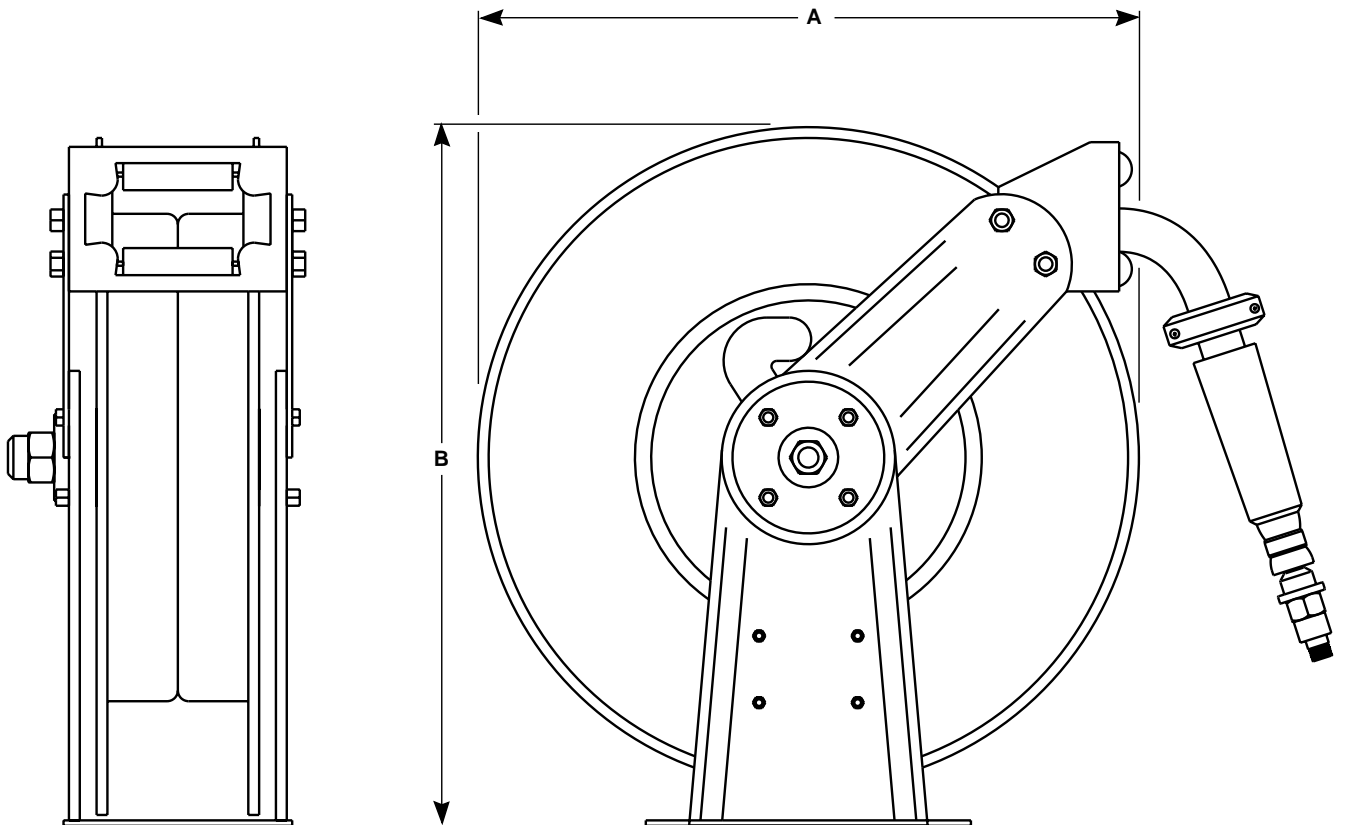
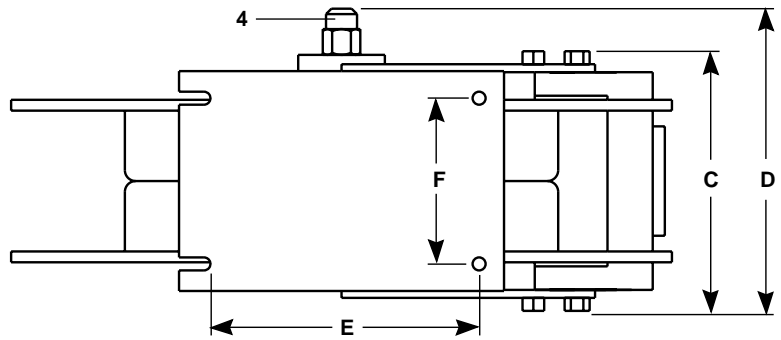
Certification

No certification is available for this product.



Dimensions (approximate) in mm

Type	A	B	C	D	E	F
8200L	610	645	211	267	254	153
9300L	622	645	289	362	267	199



Installation

The adjustable guide arm allows for floor, wall or ceiling mounting. A flexible hose connection must be used between the hose reel and the mixing valve station to prevent possible misalignment and binding. The maximum installation height between the mixing valve station and reel is 4.8 m. **This must not be exceeded.** However, Spirax Sarco supply a 2 m length of hose with the reel for this purpose.

Maintenance

For more detailed installation and maintenance instructions please refer to the separate Installation and Maintenance sheet which is supplied with the product.

How to order

Spirax Sarco Type 8200L self-retracting hose reel with ½" x 20 m dairy quality hose complete with crimped swivel coupling and hose protectors.

Spare parts

Please consult Spirax Sarco for separate literature supplied with the product regarding spare parts and servicing.