

food and beverage



# Food and beverage

sustainable solutions for  
your steam system

*First for Steam Solutions*

**spirax**  
**sarco**

EXPERTISE | SOLUTIONS | SUSTAINABILITY

Spirax Sarco offer an extensive range of solutions to the food and beverage industry, helping our customers to reduce energy costs, improve product quality and increase product throughput.

The symbols below highlight some of the many areas where we can help you to achieve and exceed your business targets.

For detailed information on each symbol/application, please see our interactive on-line version [www.spiraxsarco.com](http://www.spiraxsarco.com) or request a visit from one of our engineers.



Energy saving opportunities



Case study available



Process time improvements



Product quality assurance



Water savings



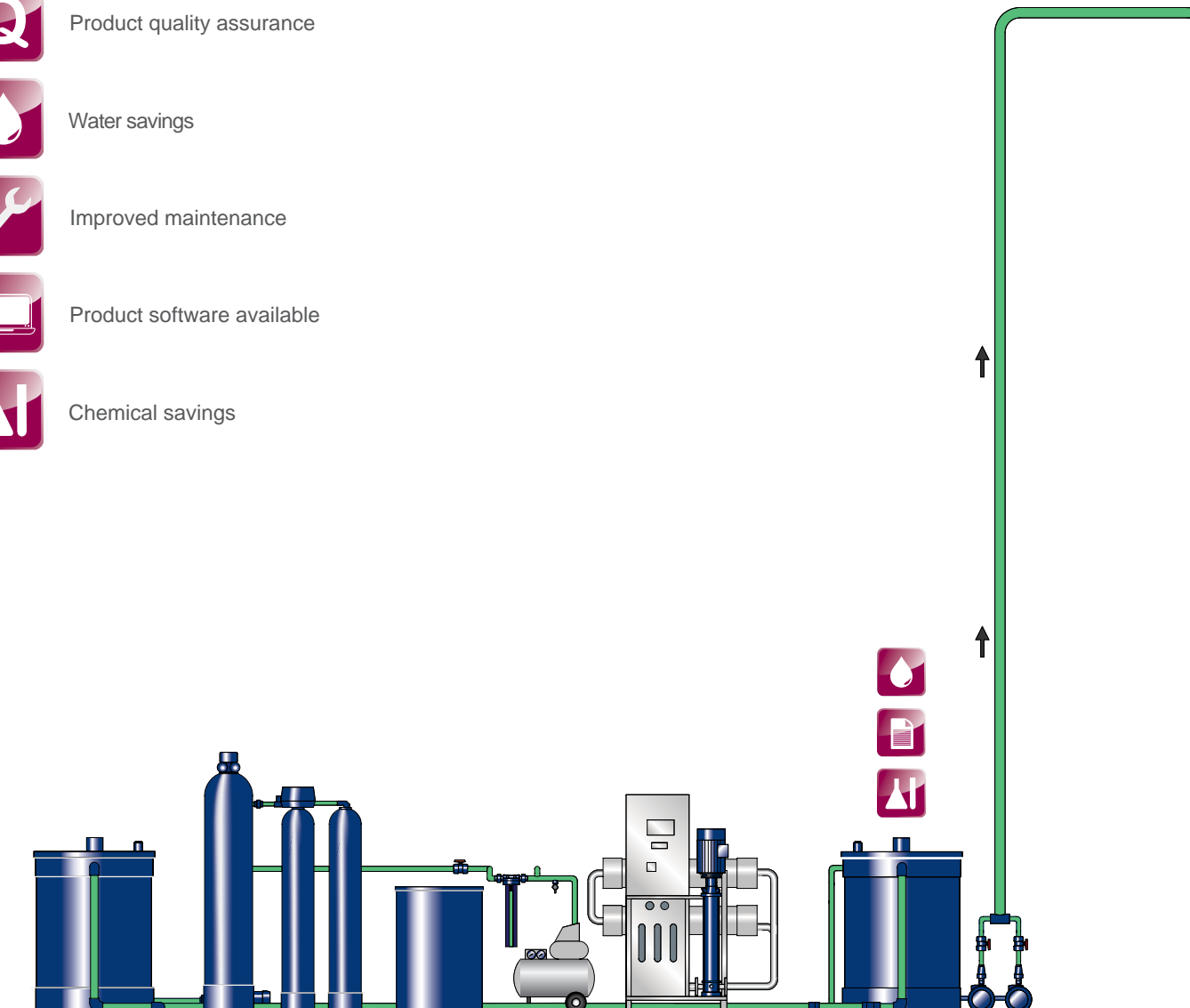
Improved maintenance



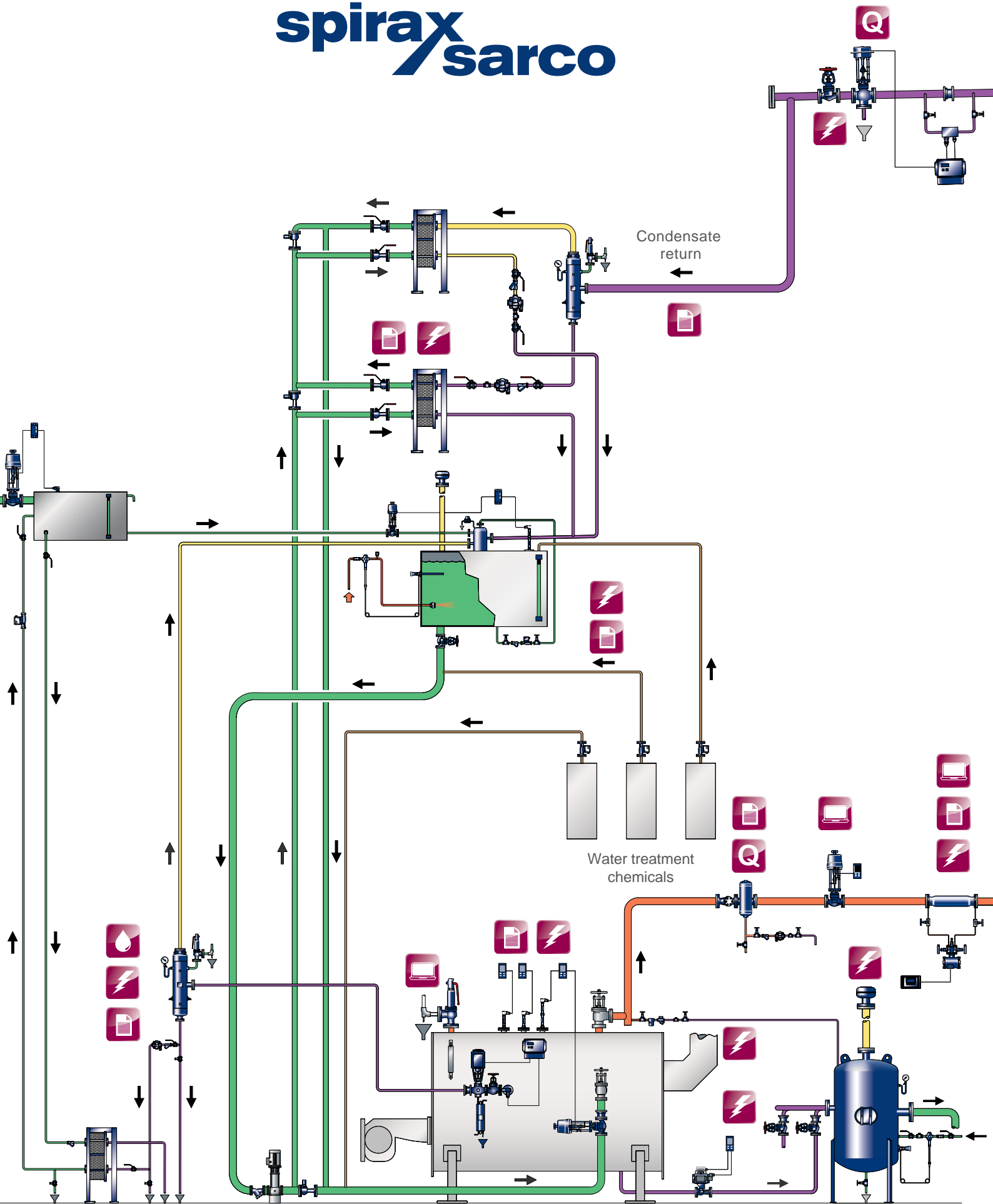
Product software available



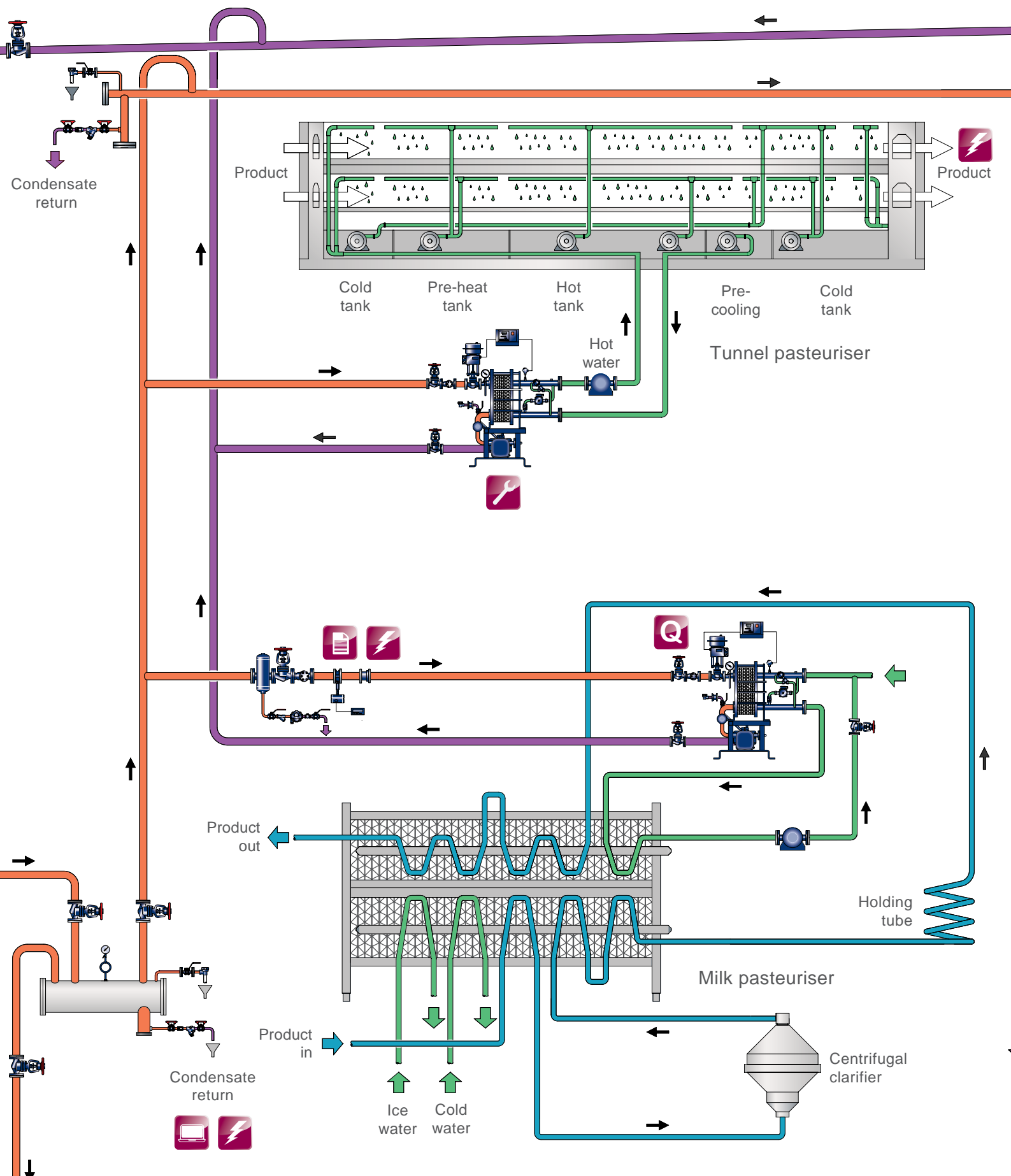
Chemical savings



## Water treatment

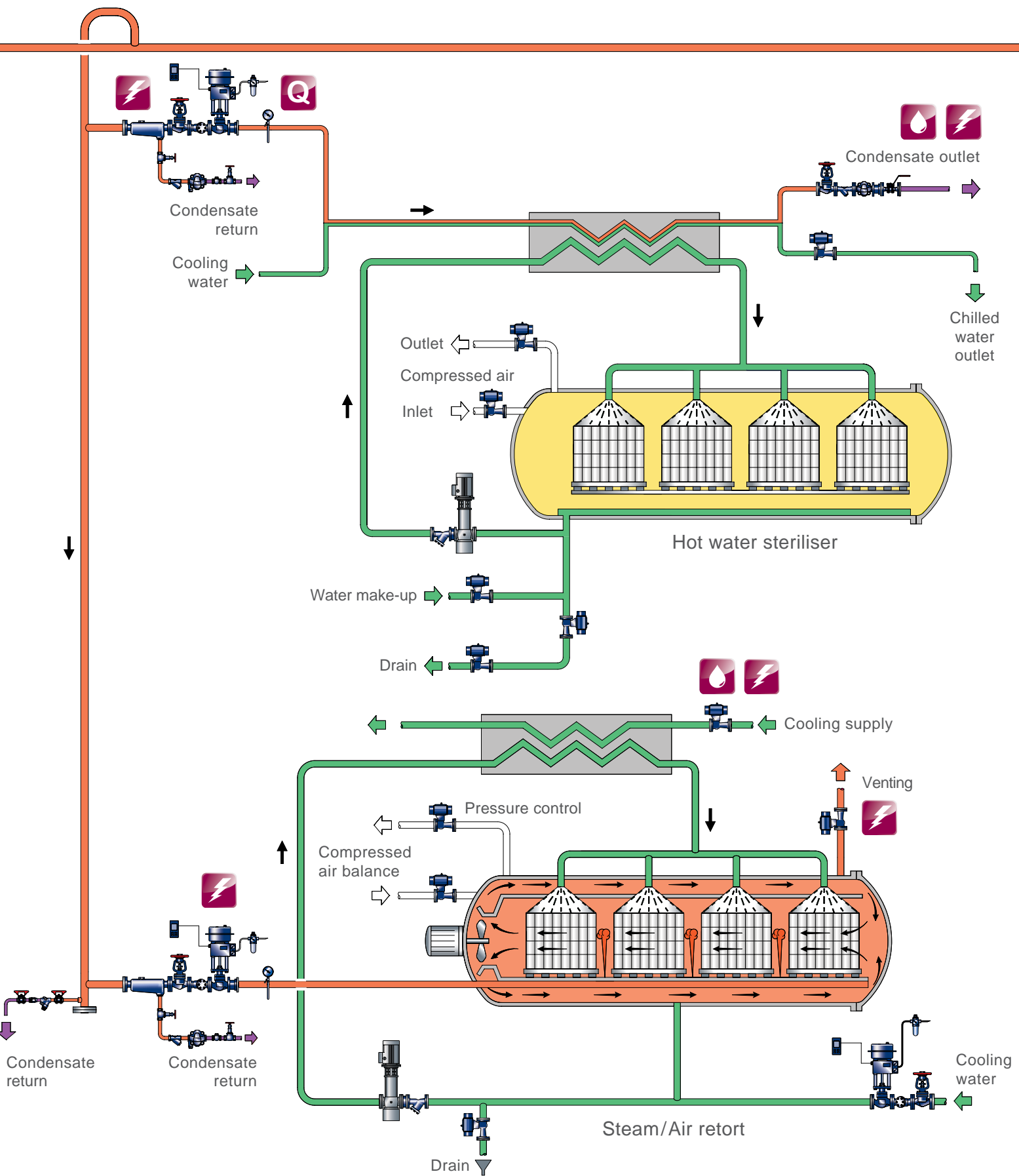


Boiler house

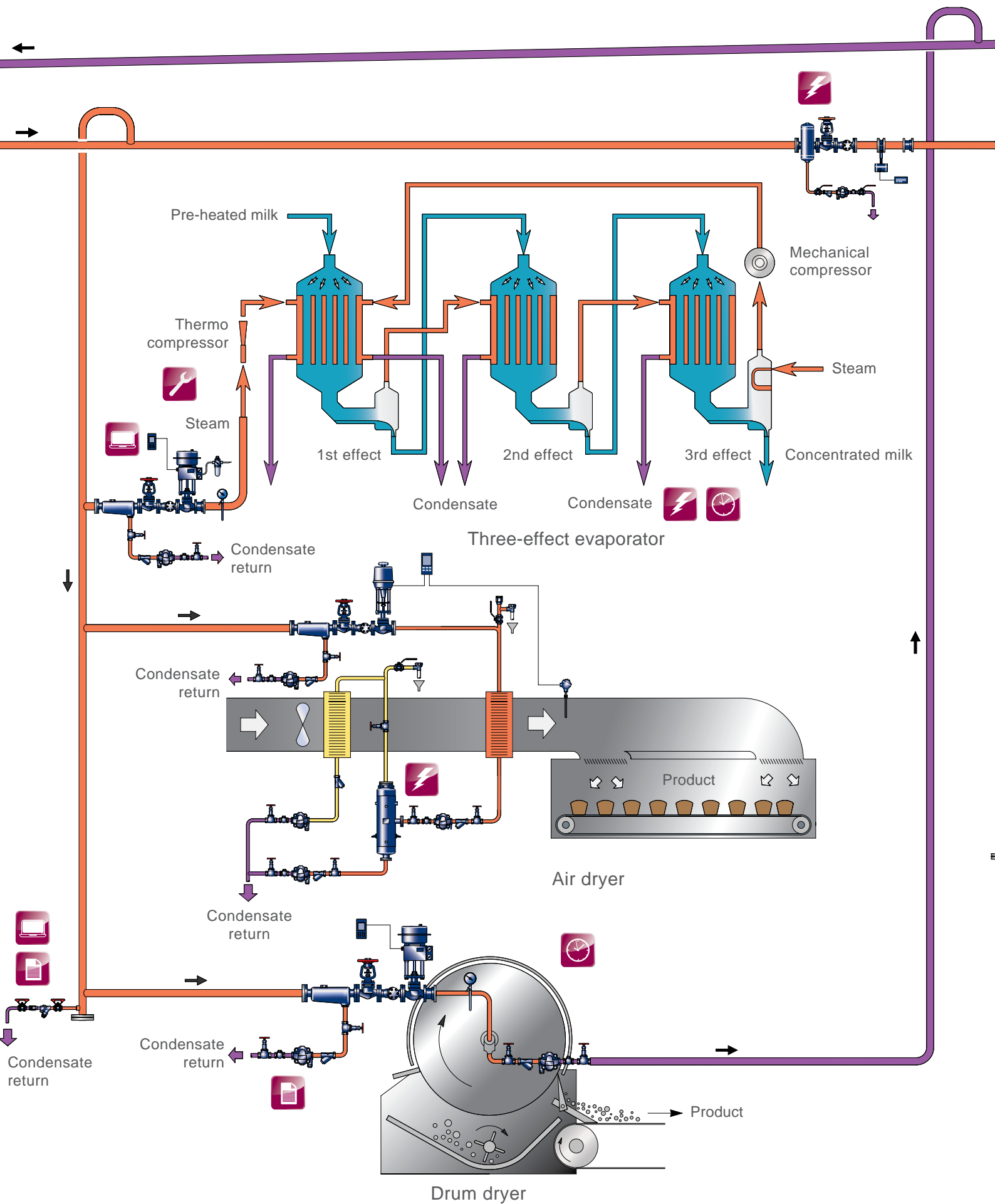


## Process applications

All drawings shown are diagrammatic representations of the process and therefore should not be referred to as 'best practice' installations.

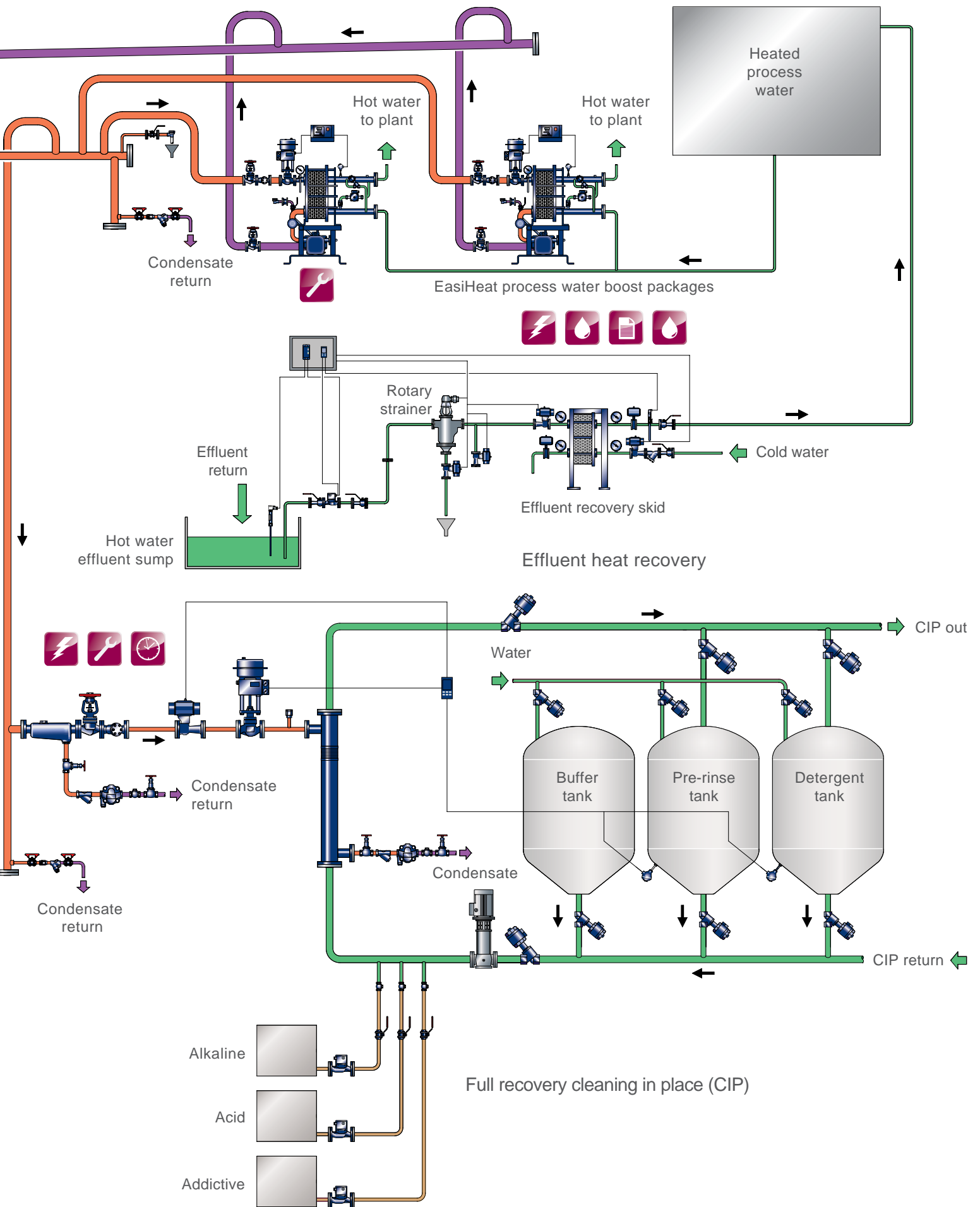


Process applications

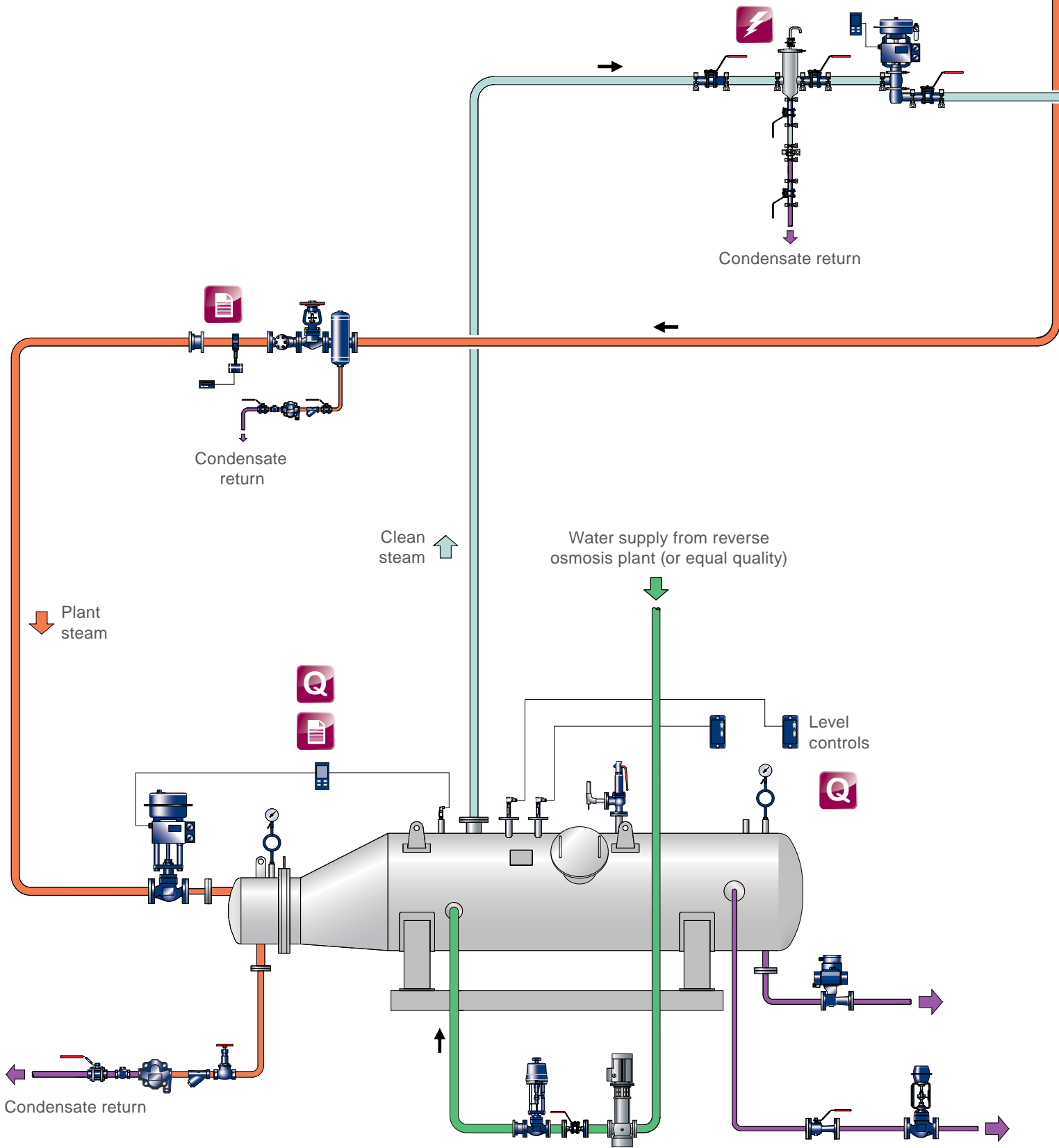


## Drying applications

All drawings shown are diagrammatic representations of the process and therefore should not be referred to as 'best practice' installations



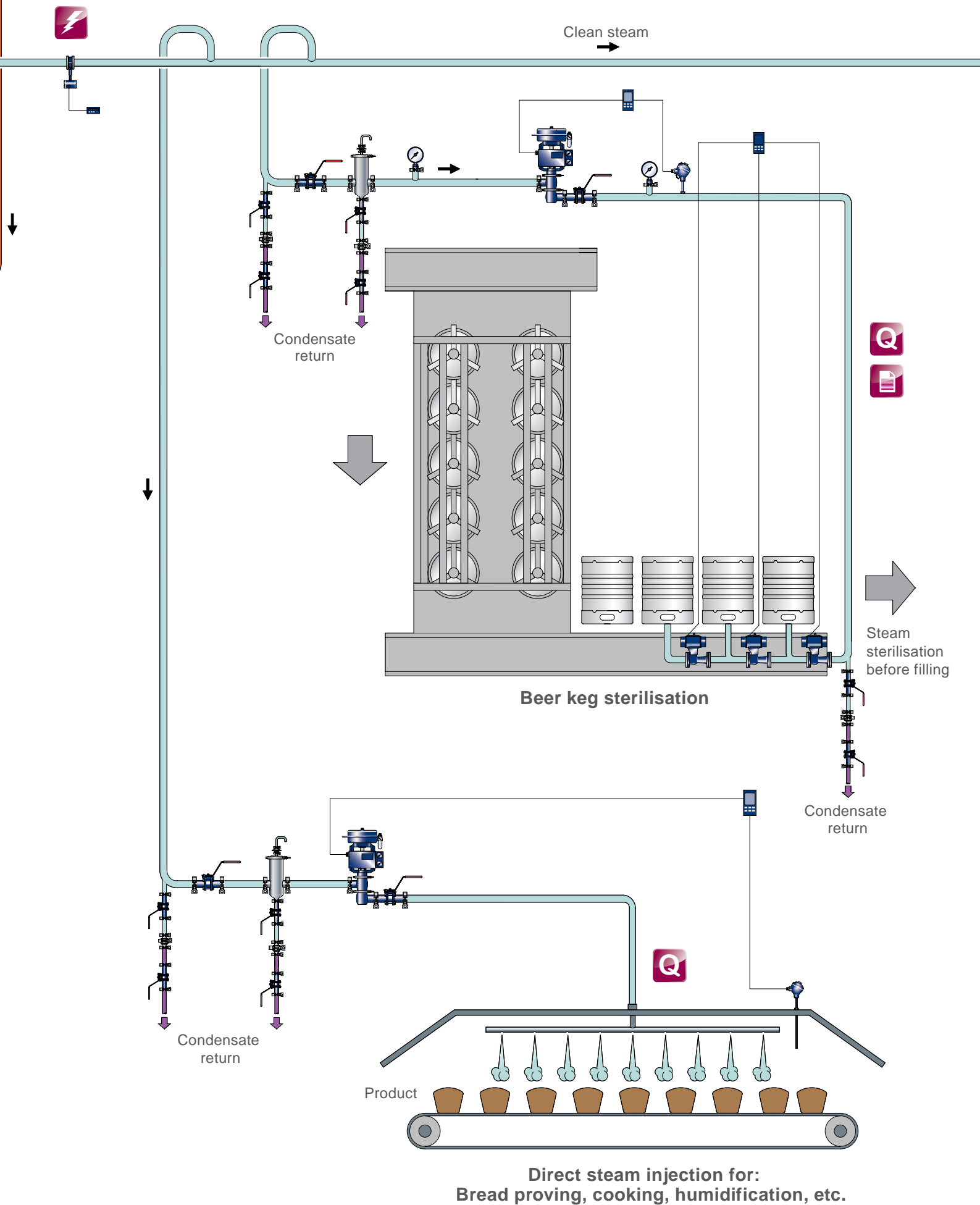
## Hygiene applications



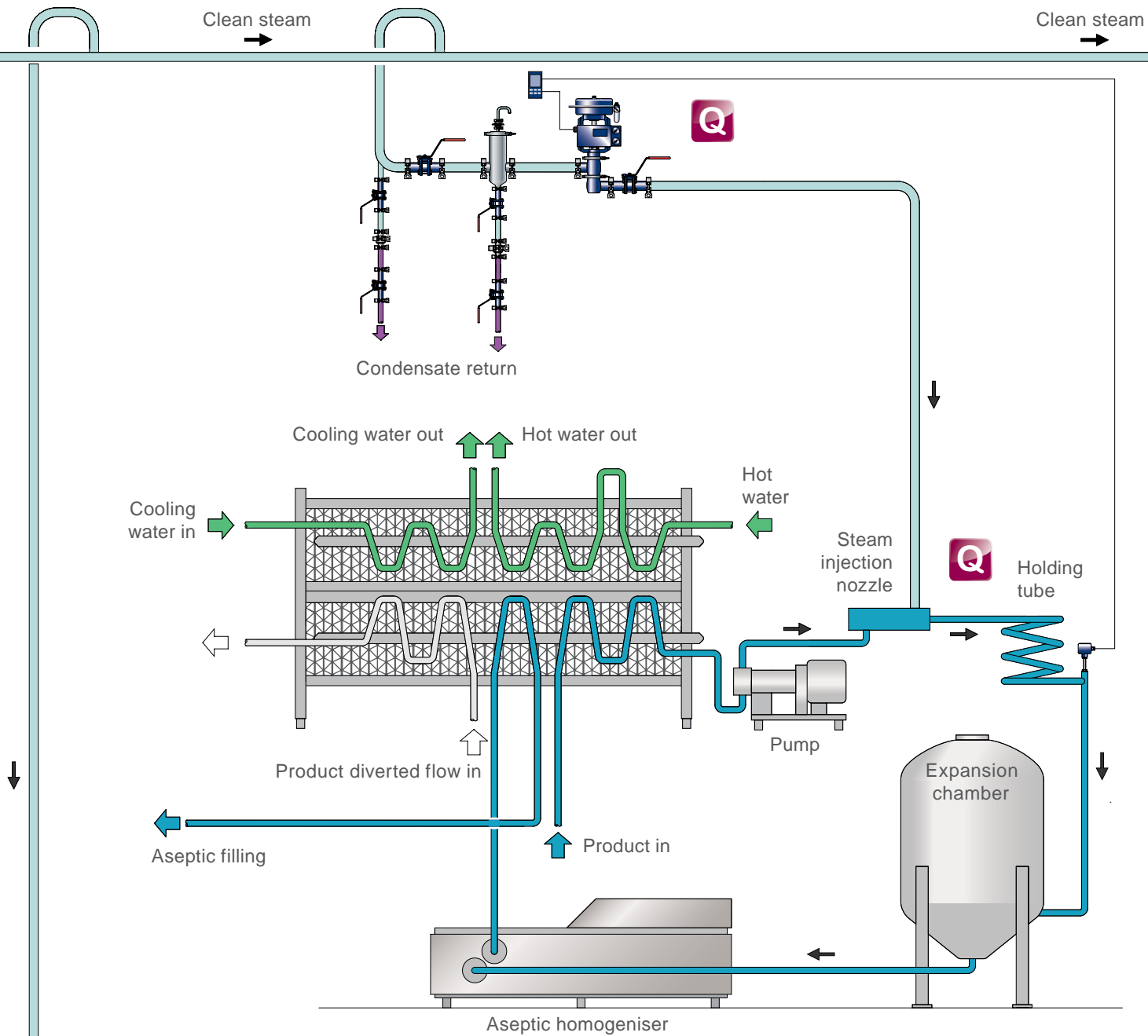
## Clean steam applications

All drawings shown are diagrammatic representations of the process and therefore should not be referred to as 'best practice' installations.

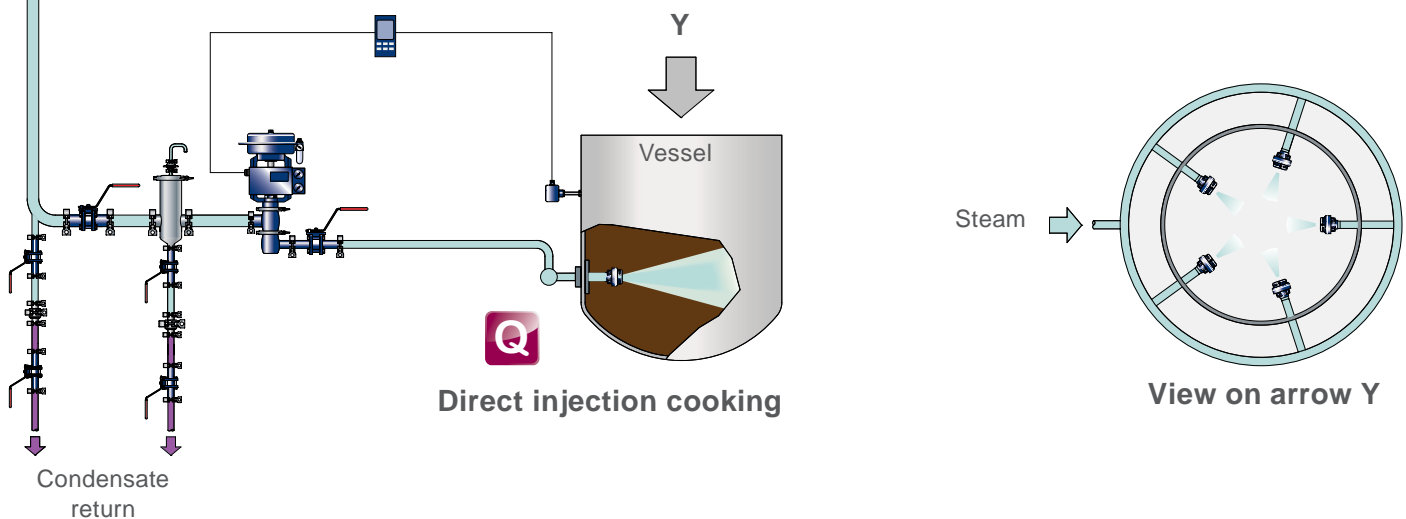




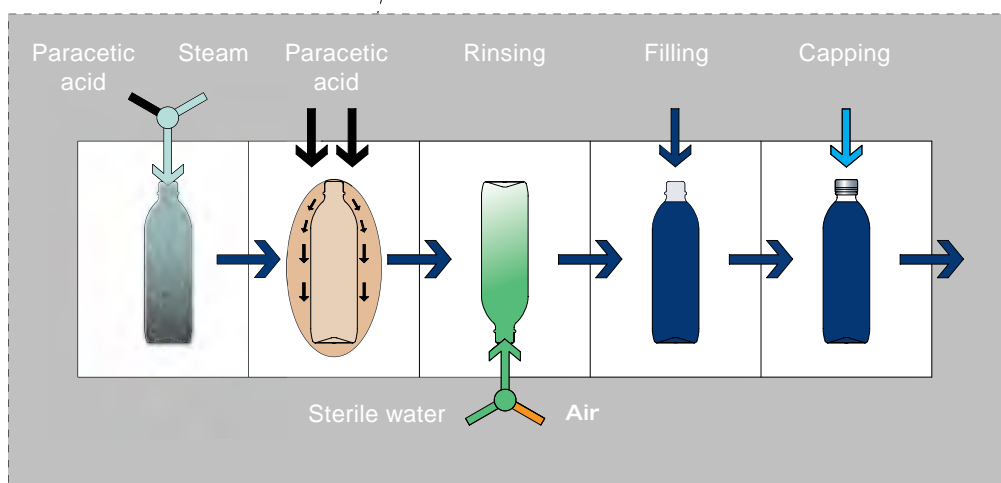
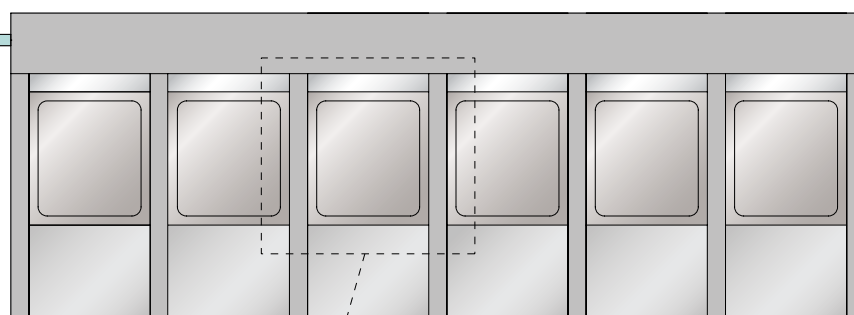
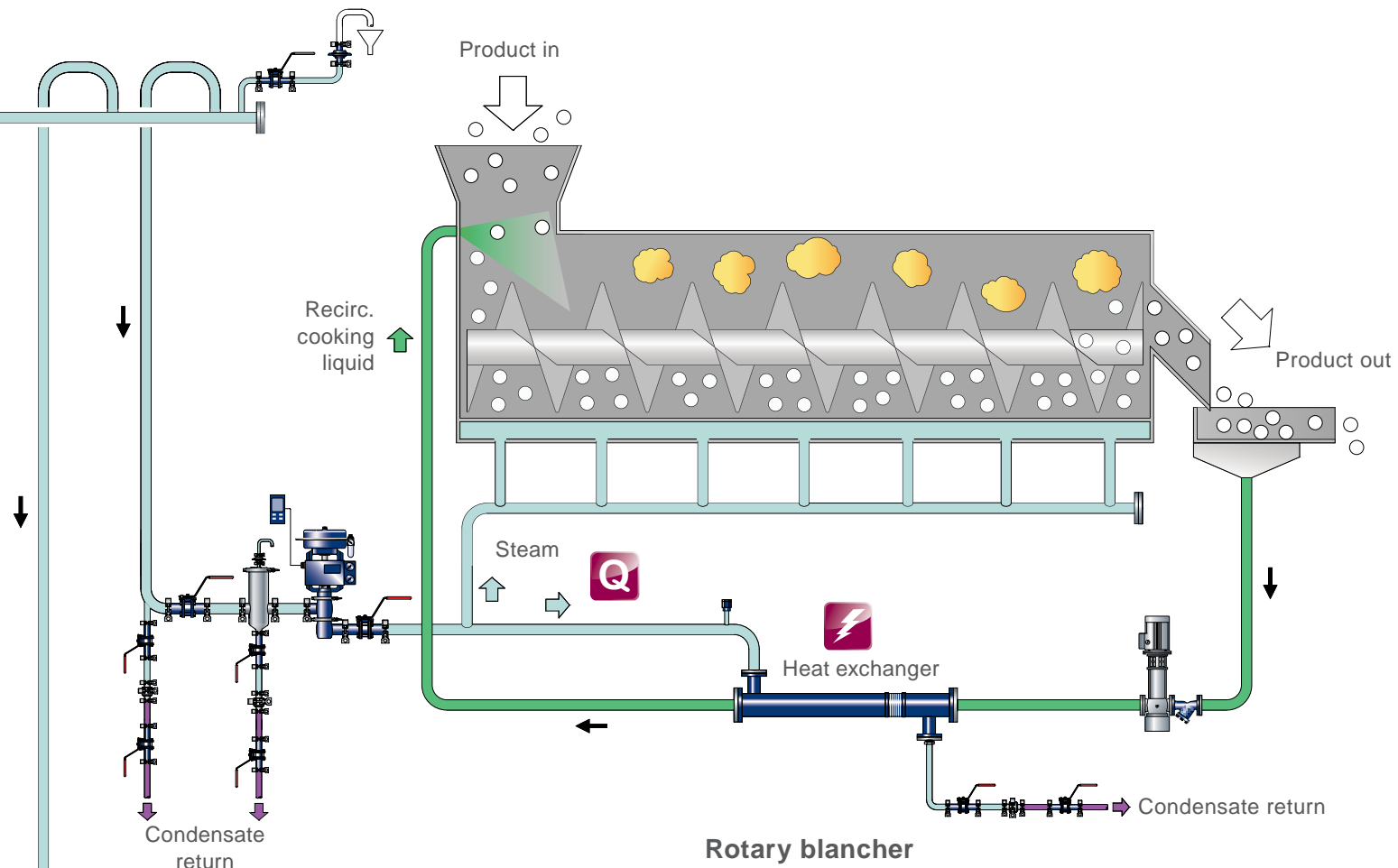
## Clean steam applications



UHT direct injection



## Clean steam applications



View inside aseptic filling process

## Clean steam applications

## Group Companies

### Africa

South Africa

### Americas

Argentina  
Brazil  
Canada  
Mexico  
USA

### Asia

China  
India  
Japan  
Korea  
Malaysia  
Singapore  
Taiwan  
Thailand

### Australasia

Australia  
New Zealand

### Europe

Austria  
Belgium  
Czech Republic  
Denmark  
Finland  
France  
Germany  
Italy  
Norway  
Poland  
Portugal  
Russia  
Slovak Republic  
Spain  
Sweden  
Switzerland  
Turkey  
UK

## Sales Offices

### Africa

Egypt  
Kenya

### Americas

Colombia  
Venezuela

### Asia

Hong Kong  
Indonesia  
Pakistan  
Philippines  
Vietnam

### Europe

Austria  
Hungary  
Ireland  
Romania  
Ukraine

### Middle East

Jordan  
UAE

## Distributors

### Africa

Algeria  
Cameroon  
Ethiopia  
Ghana  
Ivory Coast  
Madagascar  
Malawi  
Mauritius  
Morocco  
Namibia  
Nigeria  
Senegal  
Sudan  
Tanzania  
Tunisia  
Uganda  
Zambia  
Zimbabwe

### Americas

Bolivia  
Chile  
Costa Rica  
Dominican Republic  
Ecuador  
El Salvador  
Guatemala  
Honduras  
Jamaica  
Netherlands Antilles  
Nicaragua  
Panama  
Paraguay  
Peru  
Trinidad and Tobago  
Uruguay

### Asia

Bangladesh

### Australasia

Fiji

### Europe

Bulgaria  
Croatia  
Cyprus  
Estonia  
Greece  
Iceland  
Latvia  
Lithuania  
Malta  
Netherlands  
Slovenia

### Middle East

Bahrain  
Iran  
Israel  
Kuwait  
Lebanon  
Oman  
Qatar  
Saudi Arabia  
Syria

**spirax**  
**sarco**

Spirax-Sarco Limited, Charlton House, Cheltenham,  
Gloucestershire, GL53 8ER, UK  
T +44 (0)1242 521361  
F +44 (0)1242 573342  
E enquiries@uk.spiraxsarco.com