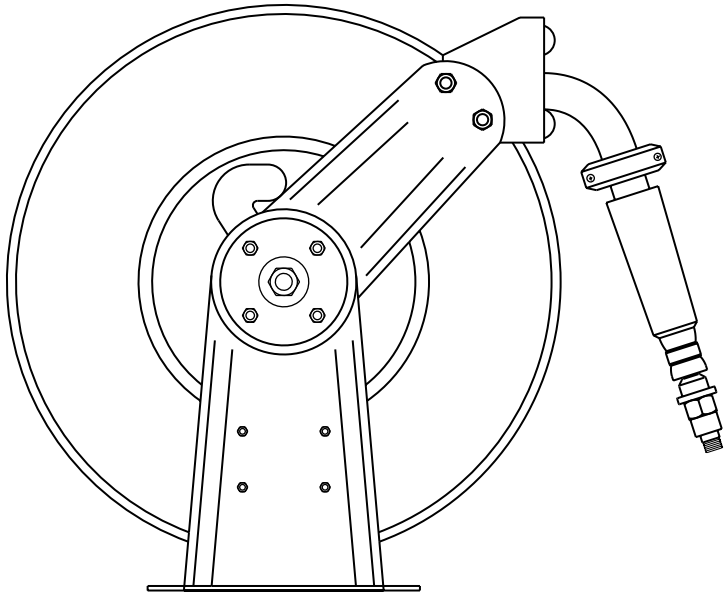


Type 8200L and 9300L
Self-retracting Hose Reels
Installation and Maintenance Instructions



Description

The Type 8200L is a compact self-retracting hose reel for use with the MX15 Mixatherm steam/water mixing valve for hosedown applications and the Type 9300L is for use with the MX20. The reels have a durable powder coat finish and incorporate an internal flow path that provides minimum spring retraction resistance. The Type 8200L is fitted with ½" x 20 m (65 ft) of dairy washdown steam hose with crimped on ½" swivel coupling, hose protectors and bumper stop. The Type 9300L is fitted with ¾" x 20 m (65 ft) of dairy hose and ¾" swivel coupling.

Operation

Withdraw hose from reel under tension by firmly holding the gun and hose. The hose rewinds automatically. It is important that the hose is walked back to the reel safely to avoid damage to plant and personnel.

Limiting conditions

Maximum operating pressure	7 bar g (101.5 psi g)
Maximum operating temperature	95°C (203°F)

General safety information

Caution

There are no user serviceable parts for the hose reel. Maintenance is limited to replacing the input/output hoses only. For all repairs, refer directly to Spirax Sarco Limited. Failure to do so may result in personal injury and/or equipment damage and may void warranty.

Pressure

Before attempting any maintenance of any kind, consider what is or may have been in the pipeline. Ensure that any pressure is isolated using the incoming ball valves and then safely vented to atmospheric pressure before attempting to maintain any component e.g. hose, swivel coupling etc. This is easily achieved by fitting Spirax Sarco depressurisation valves type DV (see separate literature for details). Discharge the contents of the hose and hosedown station by pulling the gun trigger and eliminate pressure until water flow stops. Do not assume that the system is depressurised even when a pressure gauge indicates zero.

Temperature

Allow time for temperature to normalise after isolation to avoid the danger of burns. For personal protection wear protective clothing, especially heavy duty gloves and safety glasses. If the temperature exceeds 99°C (210°F) the internals of the reel can expand thus preventing operation. A fall in temperature will allow the internals to contract and the reel should operate normally.

Personal safety

Personal injury and/or equipment damage may result if proper safety precautions are not observed.

- Ensure that the reel is properly installed before connecting the input/output hoses.
- Bleed fluid/gas pressure from system before servicing the reel.
- Before connecting the reel to the supply line, ensure that pressure does not exceed the maximum working pressure rating of the reel.
- Remember that even low pressure is very dangerous and can cause personal injury or death.
- Be aware of machinery and personnel in the work area.
- If a leak occurs in the hose or reel, remove system pressure immediately.
- A high tension spring assembly is contained within the reel. Exercise extreme caution.
- Pull hose from reel under tension by firmly holding both the gun and the hose.
- If reel ceases to unwind or rewind, remove system pressure immediately. Do not pull or jerk the hose.
- Treat and respect the hose reel as any other piece of machinery, observing all common safety practices.

Installation

WARNING: Ensure that the reel, hose and equipment are properly grounded.

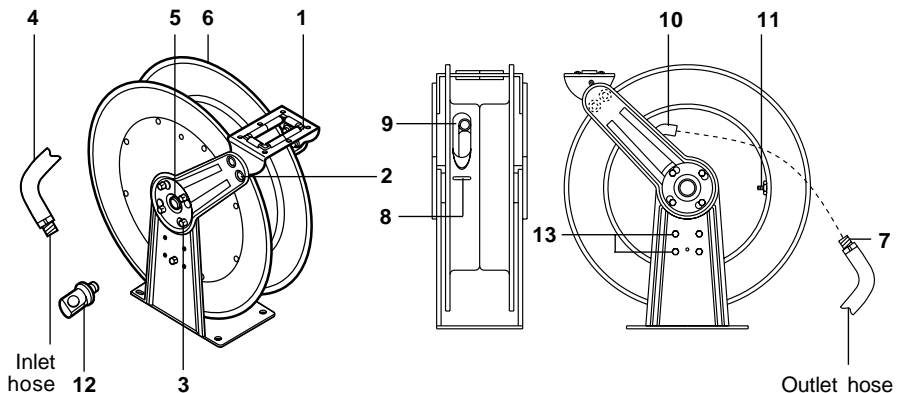
Use an ohmmeter to check ground continuity.

Caution: The reel is provided pre-tensioned, ready for use. Use extreme caution and avoid releasing the latch mechanism.

Mounting

The adjustable hose guide allows for floor, wall or ceiling mounting. A flexible hose connection must be used between the hose reel and the mixing valve station to prevent possible misalignment and binding. The maximum installation height between the mixing valve station and reel is 4.8 m (15 ft). This must not be exceeded. However, Spirax Sarco supply a 2 m (6 ft) length of hose with the reel for this purpose.

- A. Unpack and inspect the reel for damage. Turn by hand to check for smooth operation. Check for completeness.
- B. Configure the reel for top, side or bottom hose dispensing by removing the bolts (2) from one side of the guide roller bracket and loosening the four guide arm bolts (3) on each side of the hose reel. Rotate and remove each guide arm then reinstall in the desired configuration. If bottom wind is desired, bolts (13) and bolts (2) must be removed and replaced after the guide arm is in position.
- C. Position reel on floor, wall or ceiling. Secure into place using four (customer supplied) bolts.
- D. Unwrap cellophane from hose before use.



Installing the input hose

WARNING: Ensure that the supply line pressure does not exceed the maximum working

pressure rating of the reel. Apply pipe thread sealant to all threads on standard reels. Do not overtighten connection.

Recommended torque not to exceed 95 N m (70 lbf ft).

Caution: Use flexible hose connection at input. Do not use rigid plumbing.

E. Apply thread sealant as directed and connect swivel (12) to main shaft input (5).

F. For standard shaft and directed reels, connect flexible inlet hose provided (4) to swivel (12) as indicated in illustration. The inlet hose is provided with adaptors for this purpose.

Replacing the output hose

WARNING: Use extreme caution; reel under tension.

Avoid releasing the latch mechanism.

Caution: Do not overtighten connection. Recommended torque not to exceed 95 N m (70 lbf ft).

G. Remove the old hose as follows. Withdraw hose to full length. Manually turn the reel assembly until the spring is tight, back off three turns, latch the clutch and untighten the union and U-bolt.

H. Undo the screws securing the bumper stop and remove from hose.

I. Unwrap cellophane from replacement hose before fitting.

J. Route the replacement hose through the roller bracket (1), U-bolt (8) and then through the cut-out (9) in the spool as illustrated.

K. Connect hose to gooseneck (10).

L. Verify U-bolt position confirms with guide arm position using label inside spool. Then tighten nuts (11) on U-bolt. Do not overtighten as this may restrict capacity or place undue stress on hose.

M. Walk hose onto reel and install bumper stop in the desired position using the screws removed during point 'H'.

Adjustments

WARNING: Use extreme caution; reel under tension. Avoid releasing the latch mechanism. If necessary, spring tension may be adjusted on the reel by manually adding or removing coils of hose from the spool, one wrap at a time, until the desired tension is obtained. Manually add coils to increase tension, remove coils to decrease tension.

Caution: When adding coils of hose, add just enough coils to achieve the desired tension without exceeding the winding mechanisms spring capacity. Properly tensioned reels allow all hose to be freely removed from the spool until the point of U-bolt contact. Damage to the winding mechanism will result if the spring is over-tensioned.

Maintenance

There are no user serviceable parts for the hose reel. Maintenance is limited to replacing the input / output hoses only. For all repairs, refer directly to Spirax Sarco Limited. Failure to do so may result in personal injury and / or equipment damage and may void warranty.

Disposal

This product must be disposed of safely. If incinerated the hose and powder coated reel could give off potentially dangerous gases. Any incineration must be carried out at an approved plant which complies with EC directives on pollution. The same policy should be followed regarding any recycling process. Please note that the PVC / Nitrile rubber hose protector is not recyclable and would need to be removed and disposed of in a safe manner.

Service instructions

There are no user serviceable parts for the hose reel. Maintenance is limited to replacing the input / output hoses only as described previously, observing all warnings. For all repairs, refer directly to Spirax Sarco Limited. Failure to do so may result in personal injury and / or equipment damage and may void warranty. Do not attempt to open the riveted spring case assembly, attempts to do so may result in serious injury. All mating, moving parts have been factory lubricated as required.