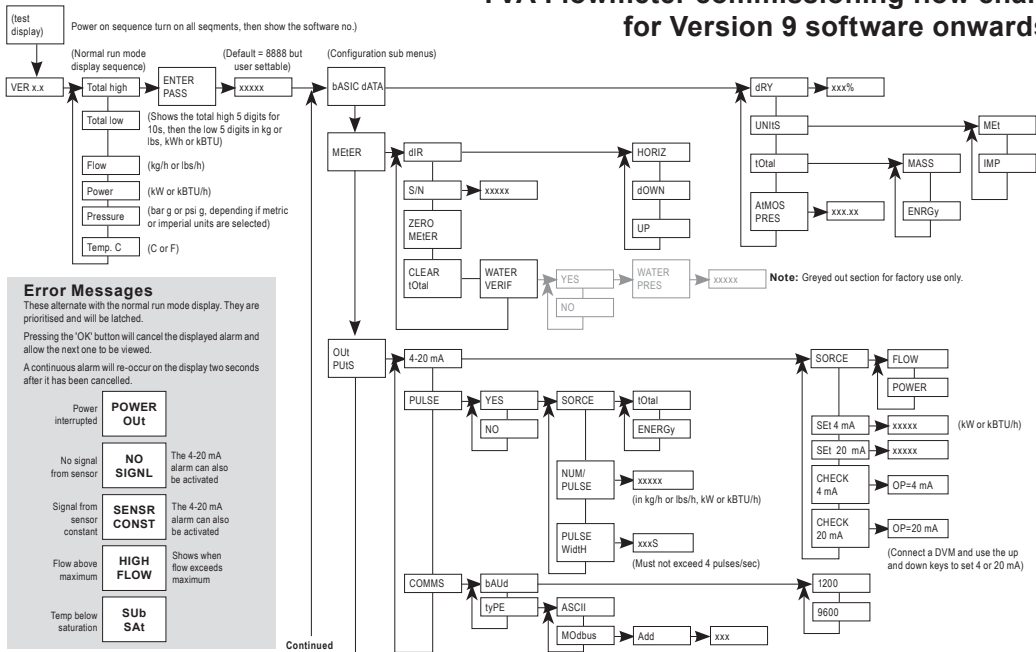


TVA Flowmeter commissioning flow chart for Version 9 software onwards



1920058/1

First for Steam Solutions

EXPERTISE | SOLUTIONS | SUSTAINABILITY

spirax sarco

IM-P192-15 EMM Issue 1

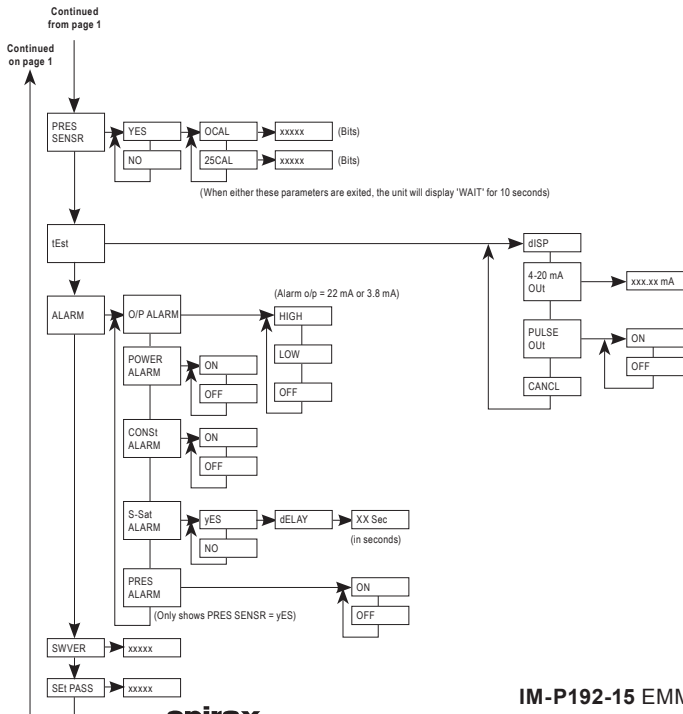
Error Messages

These alternate with the normal run mode display. They are prioritised and will be latched.

Pressing the 'OK' button will cancel the displayed alarm and allow the next one to be viewed.

A continuous alarm will re-occur on the display two seconds after it has been cancelled.

Power interrupted	POWER OUT	
No signal from sensor	NO SIGNAL	The 4-20 mA alarm can also be activated
Signal from sensor constant	SENSR CONST	The 4-20 mA alarm can also be activated
Flow above maximum	HIGH FLOW	Shows when flow exceeds maximum
Temp below saturation	SUB SAT	



1920058/1

First for Steam Solutions

EXPERTISE | SOLUTIONS | SUSTAINABILITY

spirax sarco

IM-P192-15 EMM Issue 1